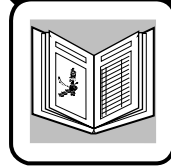


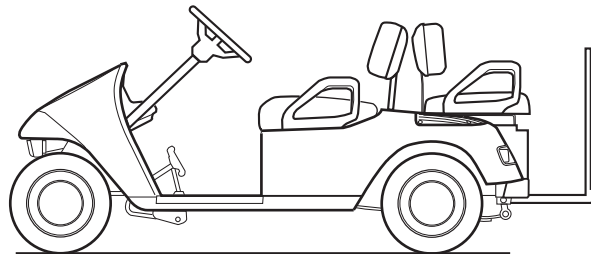
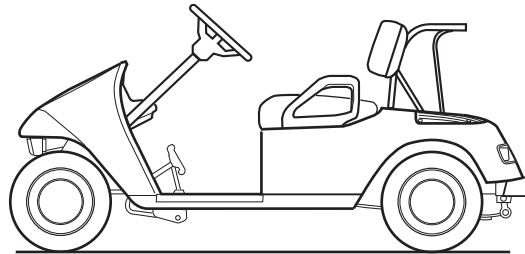
602907



A Textron Company



SERVICE PARTS MANUAL



Ref Fcv 1

ELECTRIC POWERED FLEET GOLF CARS & PERSONAL VEHICLES

ISSUED DATE SEPTEMBER 2005 REVISED DATE JULY 2008

SERVICE PARTS MANUAL

ELECTRIC POWERED FLEET GOLF CARS & PERSONAL VEHICLES

FLEET GOLF CAR

FLEET PDS GOLF CAR

FREEDOM SE

FREEDOM LE

FREEDOM SE PDS

FREEDOM LE PDS

SHUTTLE 2+2

STARTING MODEL YEAR: 2005

DISCLAIMER: The E-Z-GO Division of Textron Inc. reserves the right to incorporate engineering and design changes to products in this Manual, without obligation to include these changes on units leased/sold previously.

The information contained in this Manual may be revised periodically by the E-Z-GO Division, and therefore is subject to change without notice.

The E-Z-GO Division DISCLAIMS LIABILITY FOR ERRORS IN THIS MANUAL, and the E-Z-GO Division SPECIFICALLY DISCLAIMS LIABILITY FOR INCIDENTAL AND CONSEQUENTIAL DAMAGES resulting from the use of the information and materials in this Manual.

CUSTOMER SERVICE DEPARTMENT IN USA PHONE: 1-800-241-5855 FAX: 1-800-448-8124

OUTSIDE USA PHONE: 001-706-798-4311, FAX: 001-706-771-4609

E-Z-GO DIVISION OF TEXTRON, INC., 1451 MARVIN GRIFFIN RD., AUGUSTA, GEORGIA USA 30906

NOTES

To obtain a copy of the limited warranty applicable to the vehicle, call or write a local Distributor, authorized Branch or the Warranty Department with vehicle serial number and manufacturer code.

The use of non Original Equipment Manufacturer (OEM) parts may void the warranty.

Overfilling of batteries may void the warranty.

BATTERY PROLONGED STORAGE

All batteries will self discharge over time. The rate of self discharge varies depending on the ambient temperature and the age and condition of the batteries.

A fully charged battery will not freeze in winter temperatures unless the temperature falls below -75° F (-60° C).

As with all electric vehicles, the batteries must be checked and recharged as required or at a minimum of 30 day intervals.

TABLE OF CONTENTS

SECTION	Page No.
HOW TO USE THE SERVICE PARTS MANUAL	v
ILLUSTRATED PARTS BREAKDOWN	vii
ACCELERATOR	A-1
BATTERY CHARGER - PORTABLE 36 VOLT	B-1
BATTERY CHARGER - ON BOARD 36 VOLT	B-7
BATTERY CHARGER - EXPORT 36 VOLT	B-15
BODY - FRONT	C-1
BODY - MID SECTION	C-5
BODY - REAR	C-7
BODY - FOOTREST	C-11
BODY - ACCESSORIES	C-13
BRAKES	D-1
DIRECTION SELECTOR	E-1
ELECTRICAL SYSTEM - COMMON	F-1
ELECTRICAL SYSTEM - PDS	F-9
ELECTRICAL SYSTEM - SERIES	F-11
ELECTRONIC SPEED CONTROL - SERIES	G-1
ELECTRONIC SPEED CONTROL - PDS	G-3
ELECTRONIC SPEED CONTROL - HD	G-7
FRONT SUSPENSION/STEERING	H-1
MOTOR	J-1
REAR AXLE	K-1
REAR SUSPENSION	L-1
SEATING AND BAG HOLDER - GOLF CAR	M-1
SEATING - SHUTTLE 2+2	M-3
SEATING - CONVERTIBLE CARRIER	M-7
TOW BAR - PERMANENT	N-1
TOW BAR - CASUAL	N-5
WEATHER PROTECTION - GOLF CAR	P-1

TABLE OF CONTENTS

SECTION	Page No.
WEATHER PROTECTION - SHUTTLE 2+2	P-7
WHEELS AND TIRES	Q-1
SPECIALTY PRODUCTS	APPENDIX A-1
OPTIONS/ACCESSORIES	APPENDIX B-1

HOW TO USE THE SERVICE PARTS MANUAL

This manual is divided into several sections:

- GENERAL INFORMATION
- ILLUSTRATED PARTS BREAKDOWN
- APPENDIX

The first section, GENERAL INFORMATION, contains the following information:

- WARRANTY INFORMATION
- GENERAL INDEX
- HOW TO USE THE SERVICE PARTS MANUAL

The second section, ILLUSTRATED PARTS BREAKDOWN, contains:

- ILLUSTRATIONS AND PARTS LISTS FOR ALL SYSTEMS OF YOUR VEHICLE

The third section, APPENDIX, contains:

- A LISTING OF SPECIALTY PRODUCTS
- A LISTING OF OPTIONS/ACCESSORIES

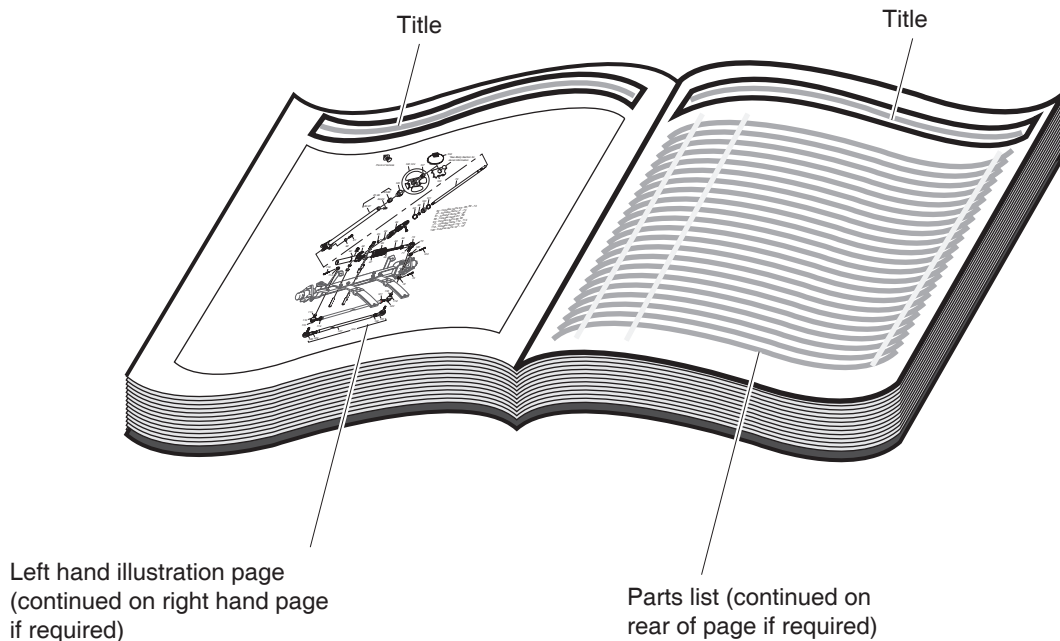
USE OF THE MANUAL

To use this manual, consult the GENERAL INDEX to locate the information or illustration required.

Introduction of some revisions varies due to supply of components; therefore, it is possible that various combinations of components may be found that are not directly reflected by each illustration. Consult the illustration that best suits your situation and then contact the Service Parts Department. It is important that the serial number of your vehicle and its model number be supplied to Service Parts when ordering any replacement components.

Locate the serial number plate (see BODY located in the Illustrated Parts Breakdown section of this manual for its location) and note the complete number shown on the plate.

HOW TO USE THE SERVICE PARTS MANUAL



1. WHEN THE PART NUMBER IS NOT KNOWN

- Determine the function and application of the part required. Turn to the General Index and select the most appropriate title.
- Turn to the page number indicated and locate the desired part on the illustration.
- From the illustration, obtain the item number assigned to the desired part. Refer to the accompanying description for specific information regarding the part.

2. IF YOU KNOW THE PART NUMBER

- Locate the part number or description in the appropriate column on the parts list page.

NOTE: It is suggested that you confirm that the part selected is correct by verifying it with the pictorial representation on the illustrated page.

Should an asterisk (*) appear in the part number column on the parts list page, read upwards until a part number is found. The part number is the lowest assembly sold by Service Parts and the asterisk (*) indicates that the part depicted is not available for purchase.

NOTE: Descriptions are indented under the assembly that they are used on. That assembly is, in turn listed under the assembly that it is used on. This process is repeated until the highest final assembly is reached.

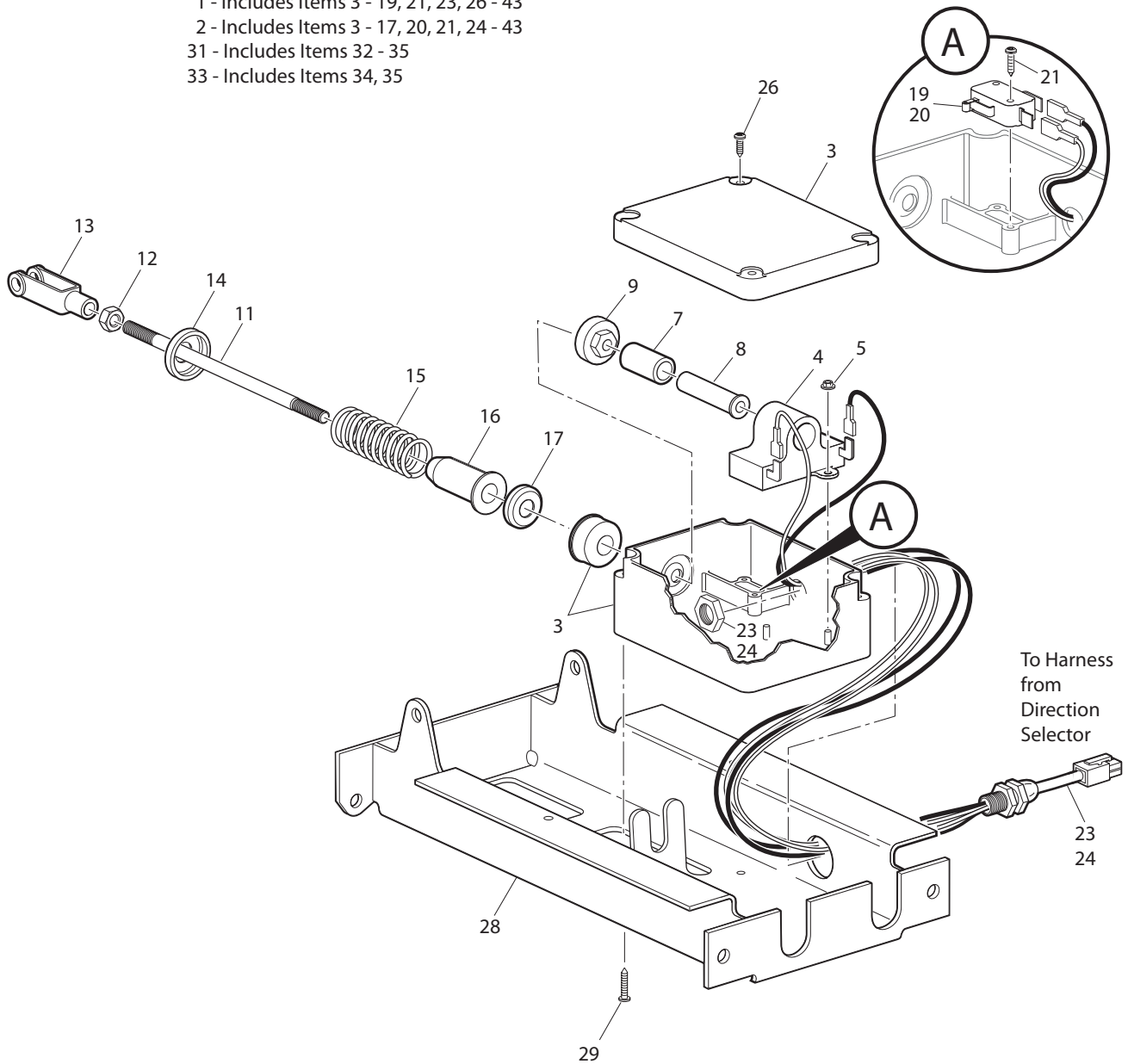
To facilitate the maintenance and repair of the vehicle, a Technician's Repair and Service Manual is available from the Service Parts Department.

ILLUSTRATED PARTS BREAKDOWN

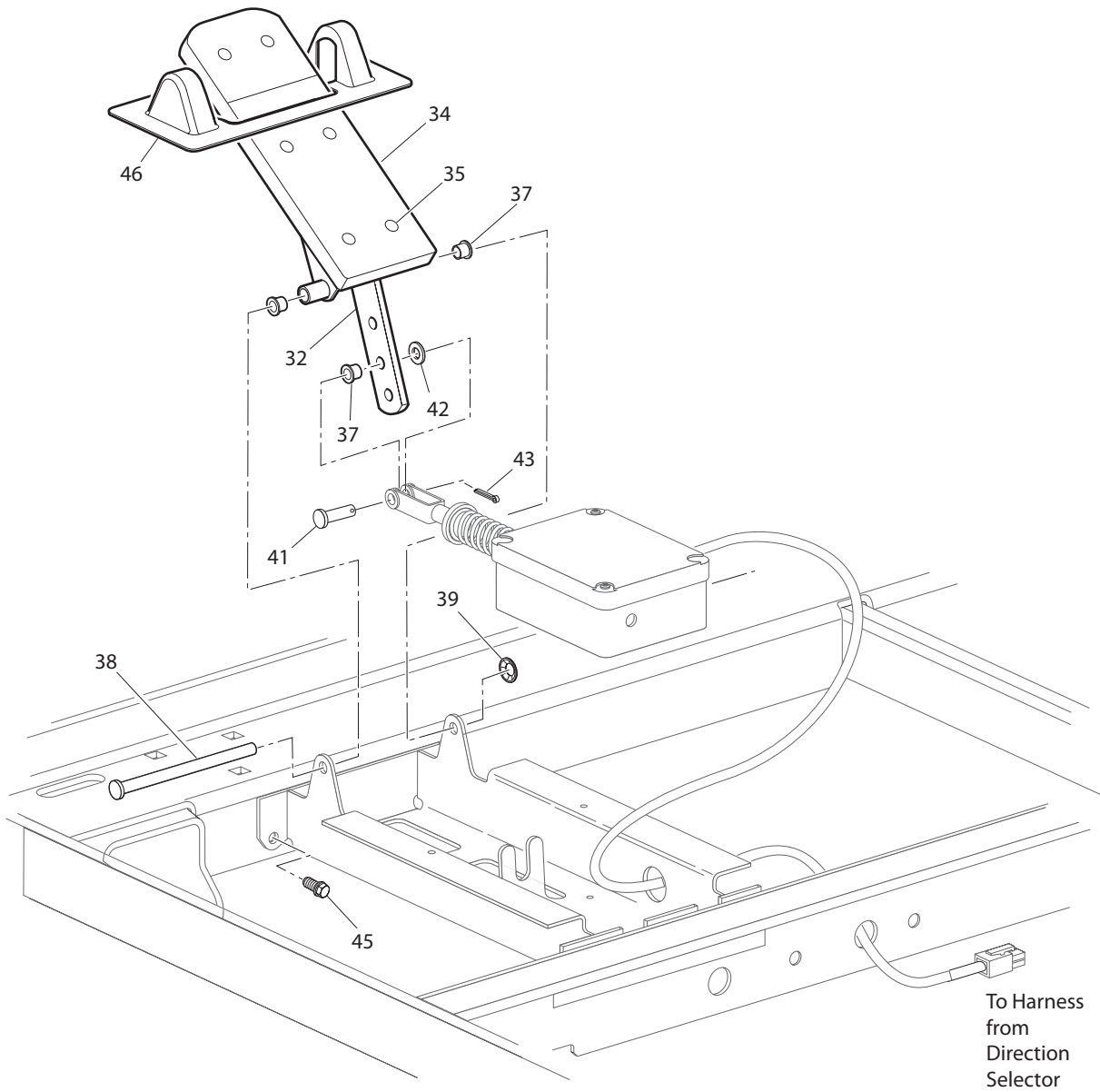
ILLUSTRATED PARTS BREAKDOWN

ACCELERATOR

- 1 - Includes Items 3 - 19, 21, 23, 26 - 43
- 2 - Includes Items 3 - 17, 20, 21, 24 - 43
- 31 - Includes Items 32 - 35
- 33 - Includes Items 34, 35



Ref Acl 1-1



Ref Acl 1-2

ACCELERATOR

Where applicable, THE USE OF NON UL PARTS WILL VOID ANY UL LISTING.

When ordering parts, please specify the model and serial number of the product.

* Indicates a component that is not available as an individual part.

G** Indicates consult Customer Service Department for additional information.

ITEM	PART NO.	1 2 3 4 5	DESCRIPTION	QTY.
1	73333-G09		PEDAL BOX ASSEMBLY (INCLUDES ITEMS 3 - 19, 21, 23, 26 - 43)	1
2	73333-G10		PEDAL BOX ASSEMBLY, PDS MODEL ONLY (INCLUDES ITEMS 3 - 17, 20, 21, 24 - 43)	1
3	25853-G01		PEDAL BOX AND COVER (SEAL AND BEARING)	1
4	25854-G01		INDUCTIVE THROTTLE SENSOR	1
5	00983-G01		SELF THREADING NUT, 3/16"	2
6				
7	25857-G01		PLUNGER SLEEVE.....	1
8	28443-G01		PLUNGER.....	1
9	28444-G01		PLUNGER CAM.....	1
10				
11	73332-G01		ACCELERATOR ROD	1
12	00532-G4		NUT, 5/16 - 24.....	1
13	10385-G4		CLEVIS YOKE (ADJUSTABLE)	1
14	17677-G2		SPRING RETAINER, 3/8"	1
15	73046-G01		COMPRESSION SPRING	1
16	17979-G1		ACCELERATOR ROD BUSHING	1
17	17677-G1		SPRING RETAINER, 1/2"	1
18				
19	25861-G01		MICRO SWITCH.....	1
20	25861-G02		MICRO SWITCH (PDS MODEL ONLY).....	1
21	01050-G01		SCREW-PLASTITE, #4 - 20 X 5/8" LG.....	2
22				
23	25879-G03		WIRING HARNESS (PEDAL BOX ASSEMBLY)	1
24	25879-G05		WIRING HARNESS (PEDAL BOX ASSEMBLY) (PDS MODEL ONLY)	1
25				
26	00684-G6		SCREW, #8 - 32 X 3/4" LG (STAINLESS STEEL).....	2
27				
28	70116-G02		ACCELERATOR PEDAL BRACKET.....	1
29	01051-G01		SCREW, #8 - 16 X 1/2" LG	4

ACCELERATOR

Where applicable, THE USE OF NON UL PARTS WILL VOID ANY UL LISTING.

When ordering parts, please specify the model and serial number of the product.

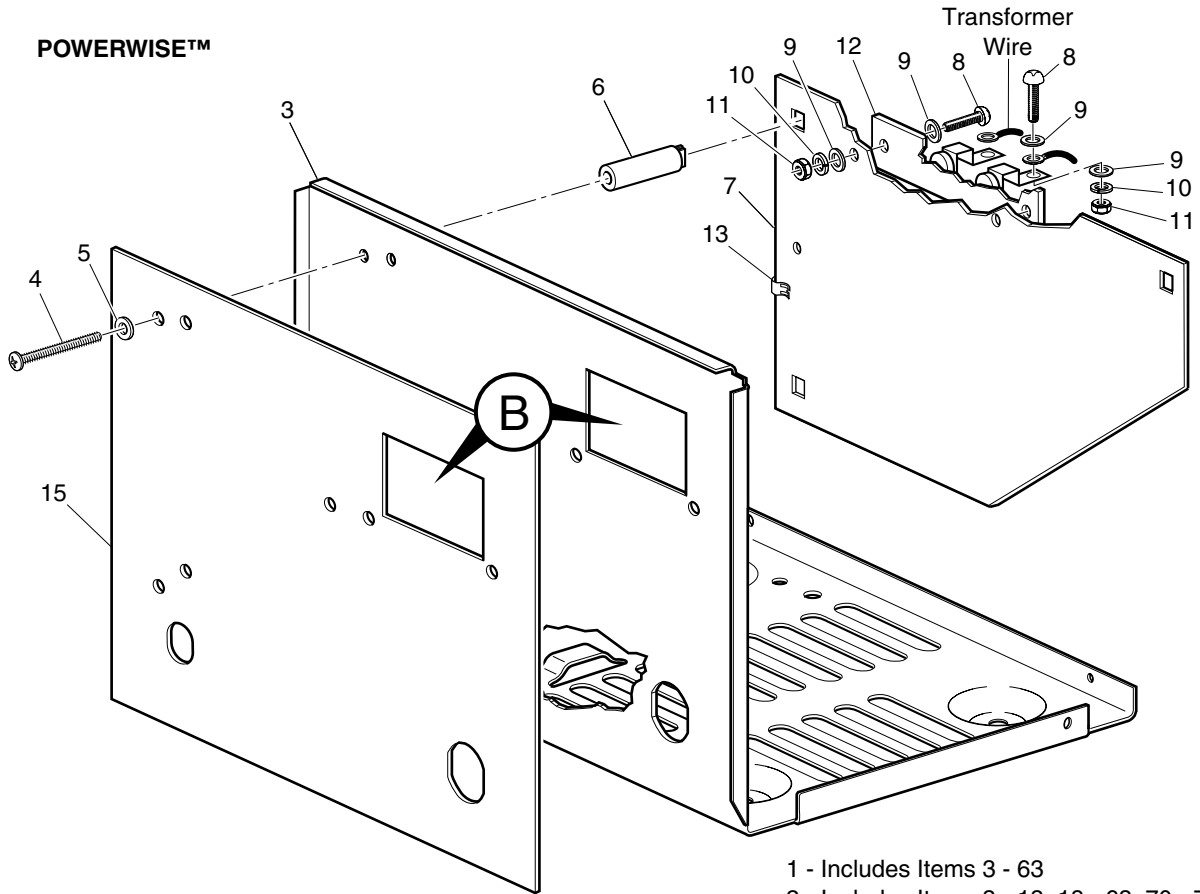
* Indicates a component that is not available as an individual part.

G** Indicates consult Customer Service Department for additional information.

ITEM	PART NO.	1	2	3	4	5	DESCRIPTION	QTY.
30								
31	25799-G03						ACCELERATOR PEDAL ASSEMBLY (INCLUDES ITEMS 32 - 35).....	1
32	*						ACCELERATOR PEDAL	1
33	27844-G01						ACCELERATOR PEDAL PAD KIT (INCLUDES ITEMS 34, 35).....	1
34	27512-G01						ACCELERATOR PEDAL PAD	1
35	15766-G1						OVAL RIVET 3/16" X 7/16" LG	6
36								
37	17838-G1						NYLON BUSHING	3
38	74432-G01						PEDAL PIVOT PIN	1
39	12064-G6						PUSHNUT, 9/32" I.D.	1
40								
41	10386-G3						CLEVIS PIN, 5/16" X 13/16" LG	1
42	17255-G1						TEFLON WASHER, 5/16"	1
43	10387-G3						COTTER PIN, 3/32" X 3/4" LG	1
44								
45	00715-G2						BOLT, 5/16 - 18 X 4/5" LG	4
46	70135-G01						PEDAL PIVOT COVER	1

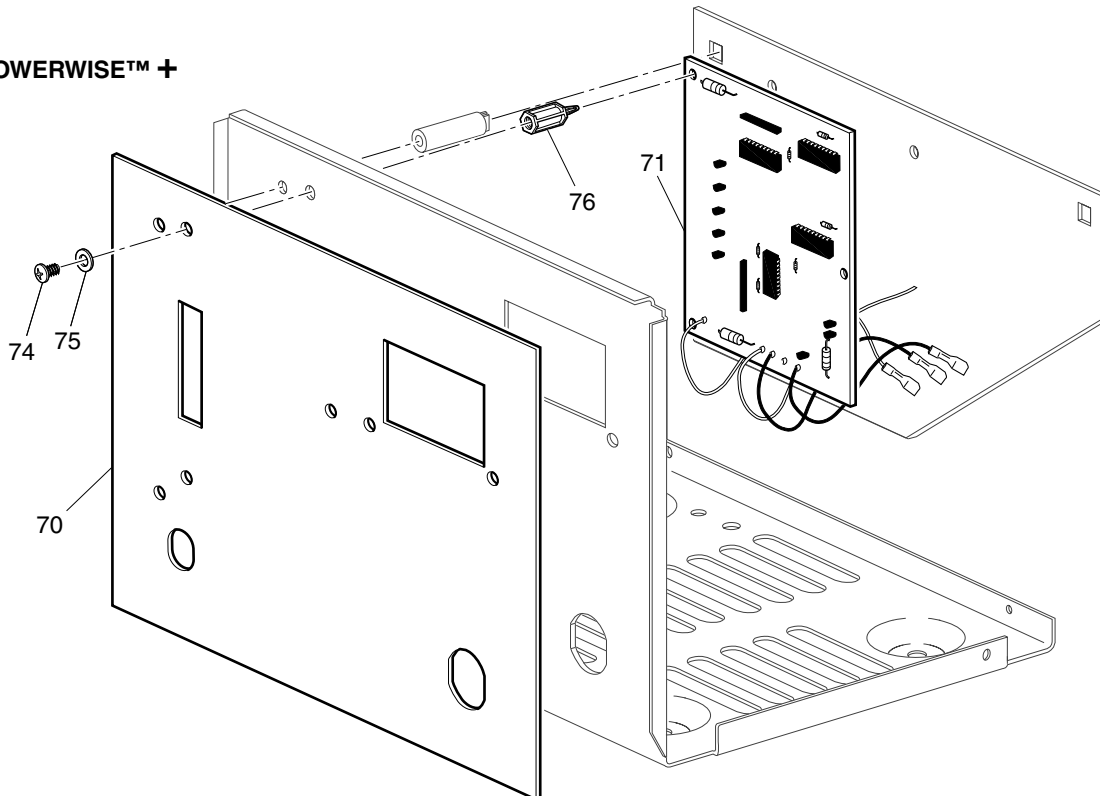
BATTERY CHARGER - PORTABLE 36 VOLT

POWERWISE™



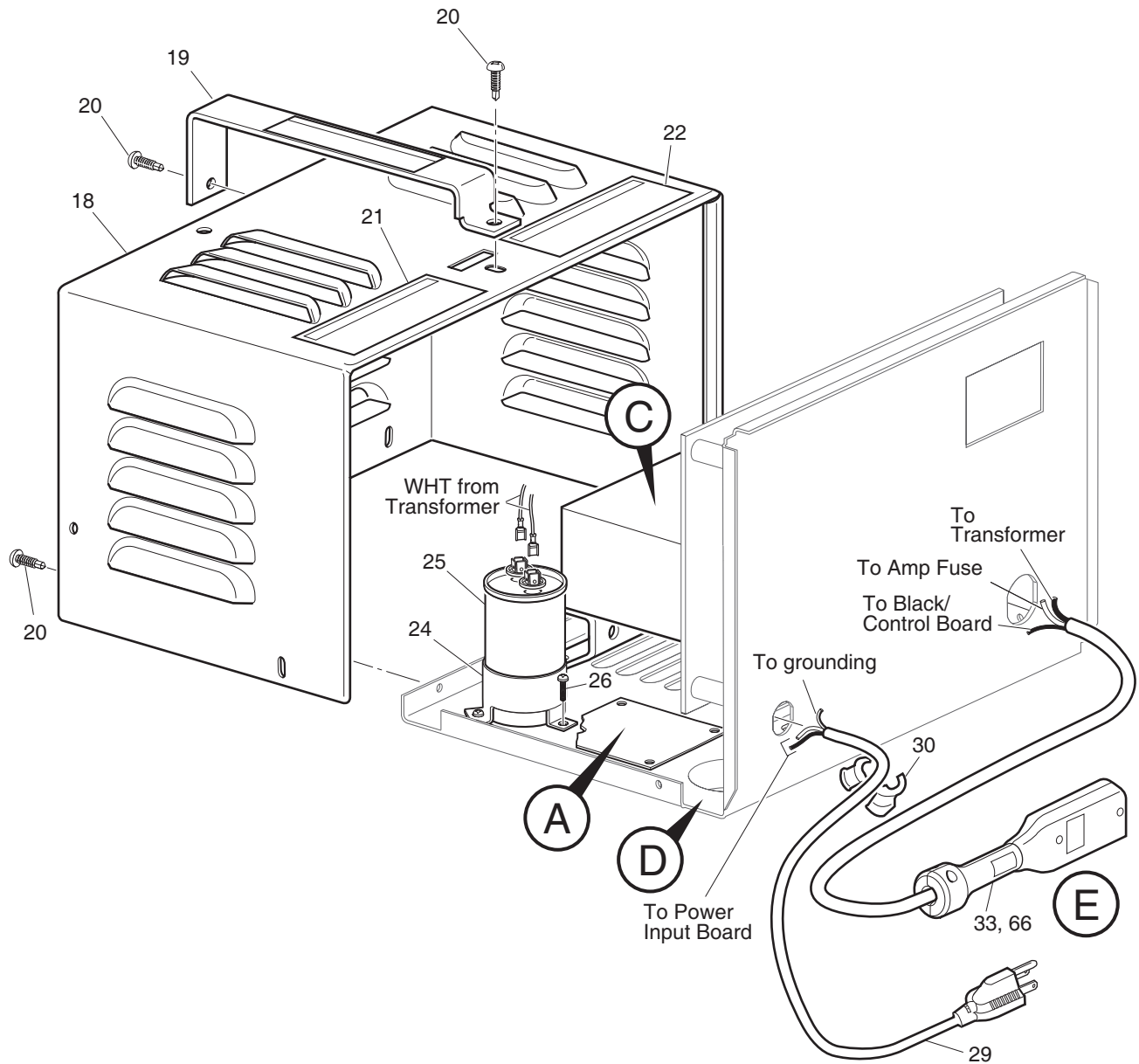
- 1 - Includes Items 3 - 63
- 2 - Includes Items 3 - 13, 18 - 63, 70 - 76

POWERWISE™ +



Ref Bcp 1-1

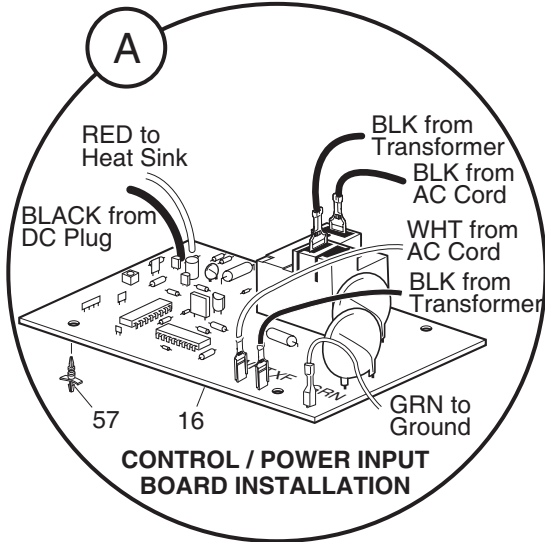
BATTERY CHARGER - PORTABLE 36 VOLT



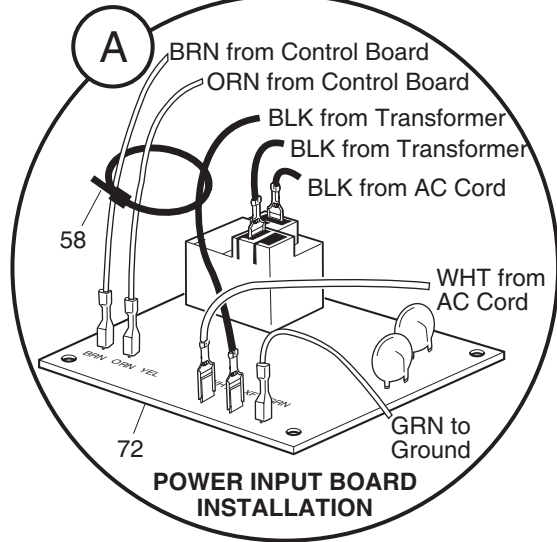
Ref Bcp 1-2

BATTERY CHARGER - PORTABLE 36 VOLT

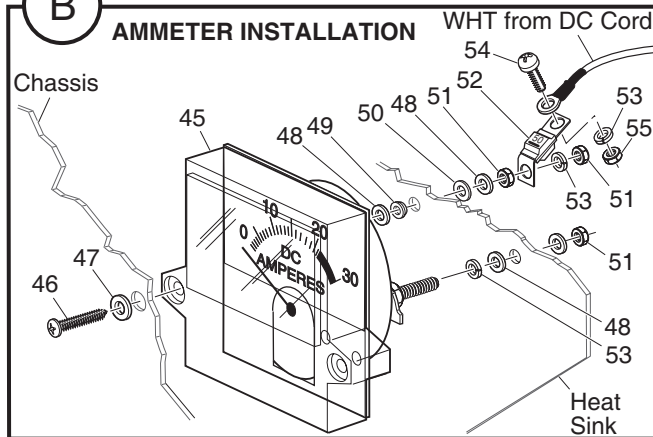
POWERWISE™



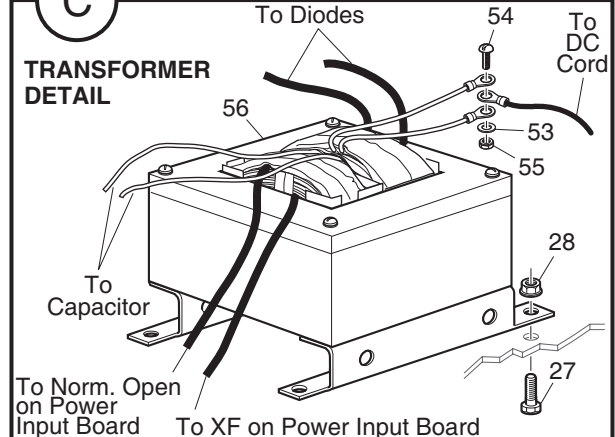
POWERWISE™ +



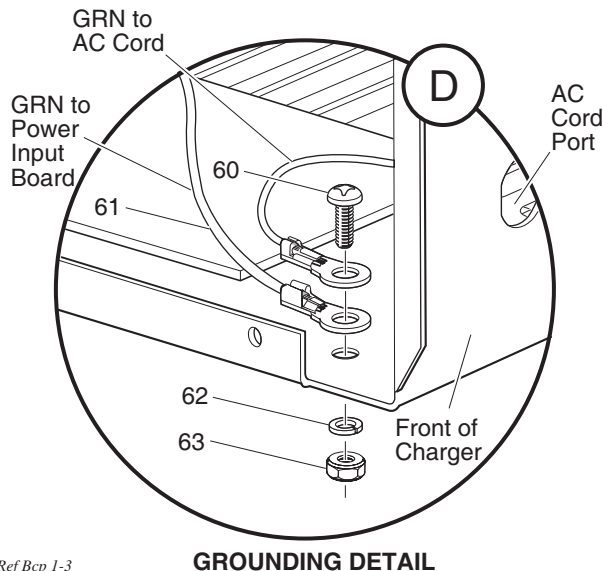
B



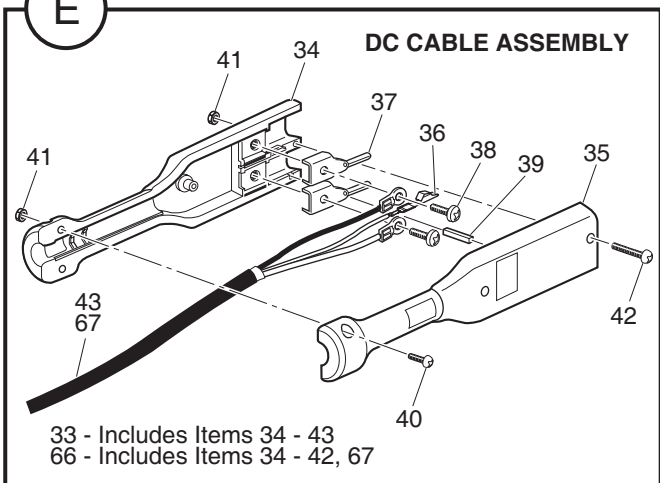
C



D

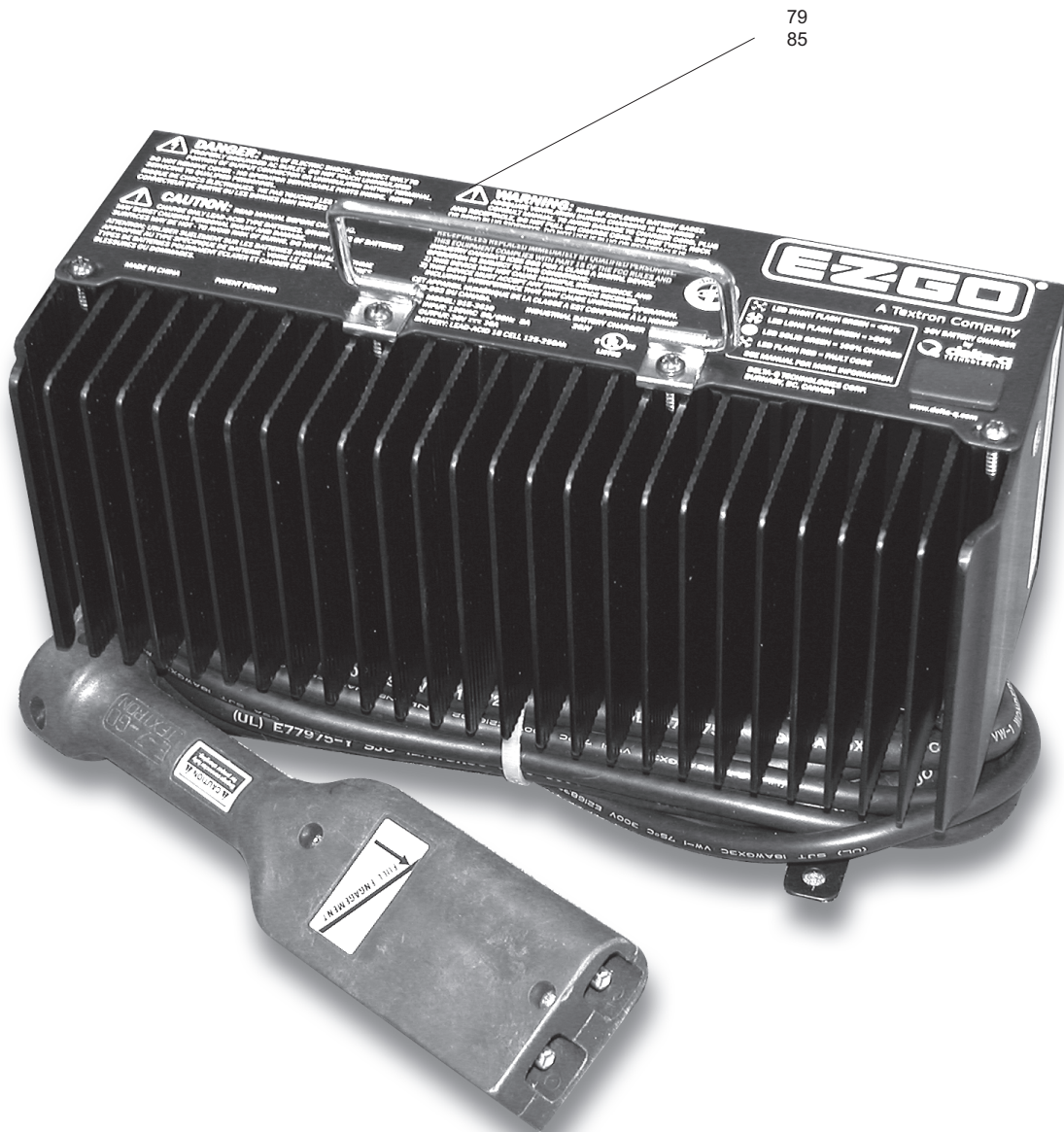


E



Ref Bcp 1-3

BATTERY CHARGER - PORTABLE 36 VOLT



BATTERY CHARGER - PORTABLE 36 VOLT

Where applicable, THE USE OF NON UL PARTS WILL VOID ANY UL LISTING.

When ordering parts, please specify the model and serial number of the product.

* Indicates a component that is not available as an individual part.

G** Indicates consult Customer Service Department for additional information.

ITEM	PART NO.	1	2	3	4	5	DESCRIPTION	QTY.
1	28115-G01						POWERWISE™ CHARGER (10' CORD) (INCLUDES ITEMS 3 - 63).....	1
2	28115-G02						POWERWISE™ + CHARGER (PORTABLE, 10' CORD) (INCLUDES ITEMS 3 - 13, 18 - 63, 70 - 76).....	1
3	*						CHASSIS	1
4	00513-G6						SCREW, #8 - 18 X 1 3/4" LG	2
5	00559-G4						WASHER, #8	2
6	11572-G3						EXPANSION NUT.....	2
7	28104-G01						HEAT SINK	1
8	00372-G4						SCREW, #8 - 32 X 1/2" LG	4
9	00559-G4						WASHER, #8	4
10	00565-G4						LOCK WASHER, #8	4
11	00526-G1						NUT, #8 - 32.....	4
12	28548-G01						DIODE.....	1
13	28110-G01						ELECTRICAL CLIP.....	1
14								
15	*						LABEL (POWERWISE™)	1
16	28667-G01						CONTROL / POWER INPUT BOARD	1
17								
18	*						COVER	1
19	28102-G01						HANDLE	1
20	00614-G4						SCREW, #8 - 18 X 1/2" LG	6
21	28136-G01						LABEL (VENTILATION).....	1
22	28136-G02						LABEL (CORD CONDITION).....	1
23								
24	26979-G01						CAPACITOR BRACKET	1
25	28109-G01						CAPACITOR	1
26	00969-G01						SCREW, #8 - 32 X 3/8" LG	3
27	00414-G5						BOLT, 1/4 - 20 X 5/8" LG.....	3
28	11027-G2						LOCK NUT, 1/4 - 20.....	3
29	19388-G4						AC CORD	1

BATTERY CHARGER - PORTABLE 36 VOLT

Where applicable, THE USE OF NON UL PARTS WILL VOID ANY UL LISTING.

When ordering parts, please specify the model and serial number of the product.

* Indicates a component that is not available as an individual part.

G** Indicates consult Customer Service Department for additional information.

ITEM	PART NO.	1	2	3	4	5	DESCRIPTION	QTY.
30	13557-G2						STRAIN RELIEF (AC).....	1
31								
32								
33	73345-G01						DC CORD AND HANDLE ASSEMBLY (INCLUDES ITEMS 34 - 43).....	1
34	73051-G11						PLUG (TOP HALF).....	1
35	73051-G12						PLUG (BOTTOM HALF).....	1
36	73051-G27						AUXILIARY CONTACT.....	1
37	73051-G14						MALE PIN.....	2
38	73051-G08						SCREW, #10 - 32 X 1/2" LG (BRASS).....	2
39	73051-G15						MAGNET	1
40	73051-G16						SCREW, #6 - 32 X 1/2" LG (STAINLESS STEEL)	2
41	73051-G10						LOCK NUT, #6 - 32	4
42	73051-G17						SCREW, #6 - 32 X 1" LG (STAINLESS STEEL)	2
43	73344-G01						DC CORD, 10' LG	1
44								
45	28105-G01						AMMETER.....	1
46	01051-G01						SCREW, #8 - 16 X 1/2" LG	2
47	00559-G4						WASHER, #8	2
48	01003-G01						WASHER, #10 (BRASS).....	4
49	22589-G2						SHOULDER WASHER, #10	1
50	00771-G6						NYLON WASHER, 3/8".....	1
51	00528-G4						NUT, #10 - 32 (BRASS)	3
52	28106-G01						50 AMP FUSE.....	1
53	00565-G5						LOCK WASHER, #10	4
54	00378-G4						SCREW, #10 - 24 X 1/2" LG	2
55	00526-G3						NUT, #10 - 24.....	2
56	28103-G01						TRANSFORMER	1
57	27877-G01						SPACER SUPPORT	4
58	17618-G1						WIRE TIE	2
59								

BATTERY CHARGER - PORTABLE 36 VOLT

Where applicable, THE USE OF NON UL PARTS WILL VOID ANY UL LISTING.

When ordering parts, please specify the model and serial number of the product.

* Indicates a component that is not available as an individual part.

G** Indicates consult Customer Service Department for additional information.

ITEM	PART NO.	1	2	3	4	5	DESCRIPTION	QTY.
60	00372-G3						SCREW, #8 - 32 X 3/8" LG	1
61	25977-G32						16 GA WIRE (GREEN 4")	1
62	00565-G4						LOCK WASHER, #8	1
63	00526-G1						NUT, #8 - 32	1
64								
65	28115-G07						POWERWISE™ CHARGER (PORTABLE, 18' CORD) (INCLUDES ITEMS 3 - 31, 45 - 63, 66, 67)	1
66	73345-G03						DC CORD AND HANDLE ASSEMBLY (INCLUDES ITEMS 34 - 42, 67)	1
67	73344-G03						DC CORD, 18' LG.....	1
68								
69	28115-G08						POWERWISE™ + CHARGER (PORTABLE, 18' CORD) (INCLUDES ITEMS 3 - 13, 18 - 31, 45 - 63, 66, 67, 70 - 76).....	1
70	*						LABEL (POWERWISE™ +)	1
71	28667-G02						CONTROL BOARD.....	1
72	28667-G03						POWER INPUT BOARD	1
73								
74	01005-G01						SCREW, #TEFLON-PLT-30-ZP #6-20 X 5/16".....	3
75	00559-G3						WASHER, #6.....	3
76	28111-G01						SUPPORT SPACER	3
77								
78								
79	605747						POWERWISE QE (DELTA), 10' CORD 36 VOLT CHARGER	1
80	604320						KIT, AC CORD, 9' , POWERWISE QE.....	1
81	605493						KIT, 10' DC CORD, 36V POWERWISE QE	1
82	605607						KIT, PCB/EMI BRD, 36-48V PWISE QE	1
83	605608						KIT, CHARGER OVER/HNDLE, 36V PW QE	1
84	606296						CHARGER HANDLE-POWERWISE QE.....	1
85	605748						POWERWISE QE(DELTA), 18' CORD 36 VOLT CHARGER.....	1
86	604320						KIT, AC CORD, 9' , POWERWISE QE.....	1
87	605494						KIT, 18' DC CORD, 36V POWERWISE QE	1
88	605607						KIT, PCB/EMI BRD, 36V PWISE QE	1

BATTERY CHARGER - PORTABLE 36 VOLT

Where applicable, THE USE OF NON UL PARTS WILL VOID ANY UL LISTING.

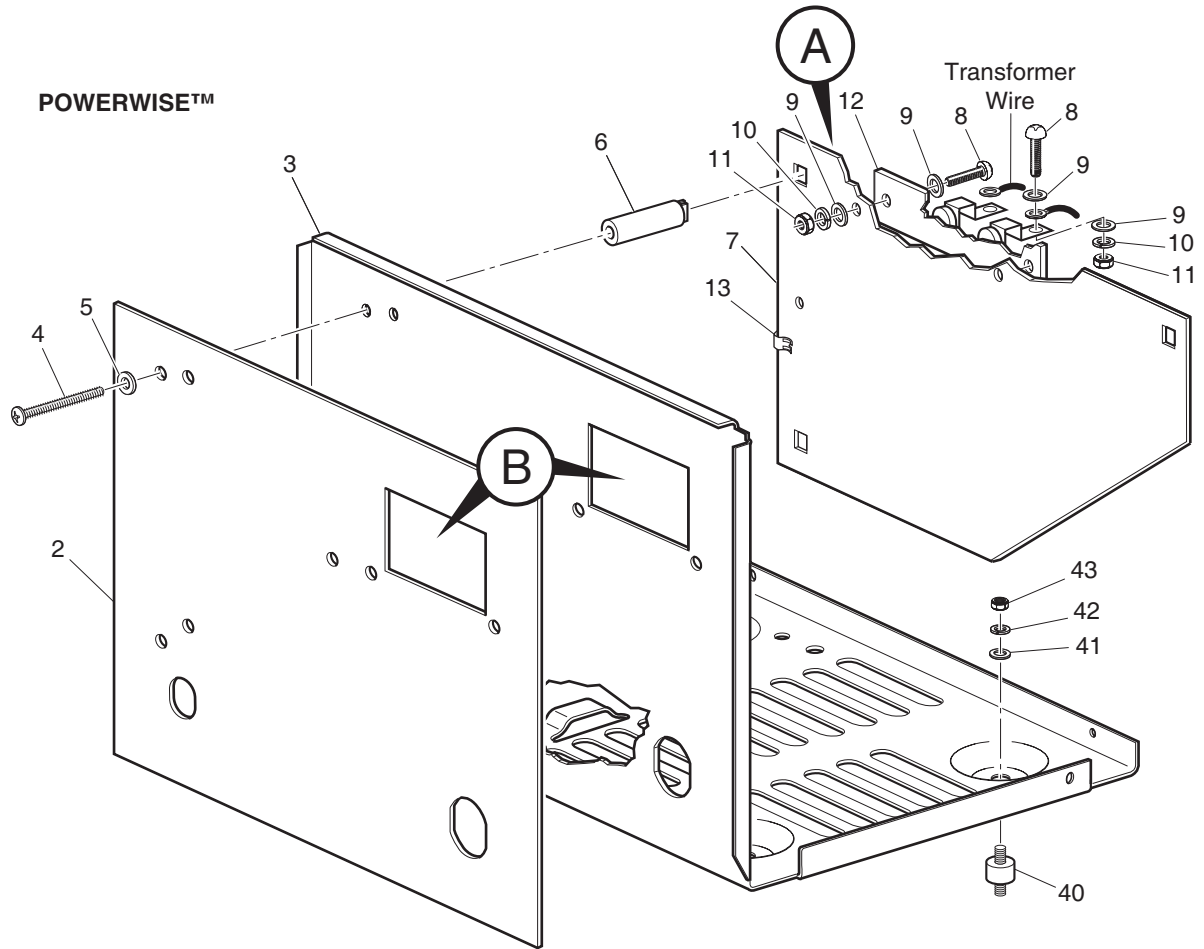
When ordering parts, please specify the model and serial number of the product.

* Indicates a component that is not available as an individual part.

G** Indicates consult Customer Service Department for additional information.

ITEM	PART NO.	1	2	3	4	5	DESCRIPTION	QTY.
89	605608						KIT, CHARGER CVER/HNDLE, 36V PW QE	1
90	606296						CHARGER HANDLE-POWERWISE QE	1

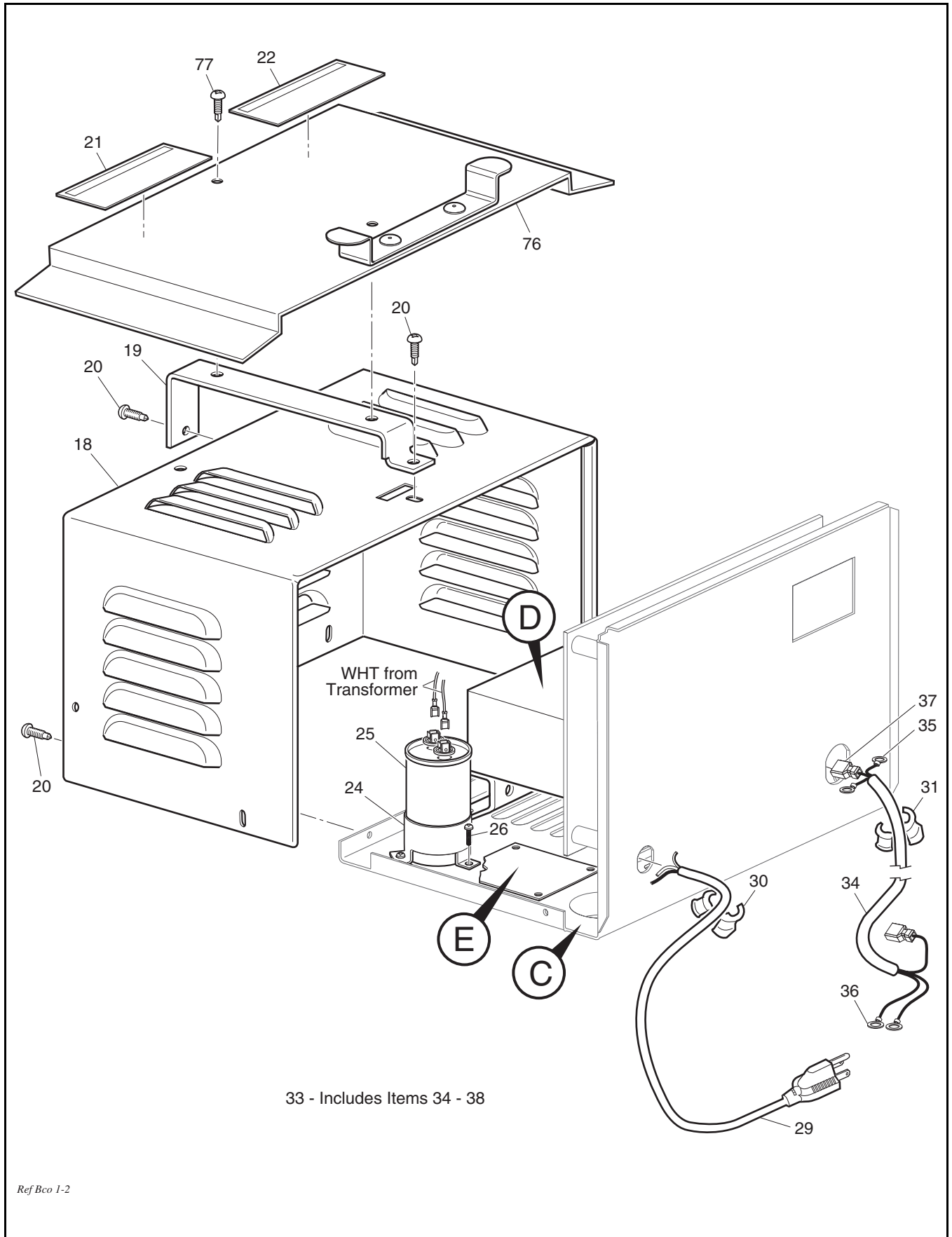
BATTERY CHARGER - ON BOARD 36 VOLT



1 - Includes Items 2 - 74

Ref Bco 1-1

BATTERY CHARGER - ON BOARD 36 VOLT

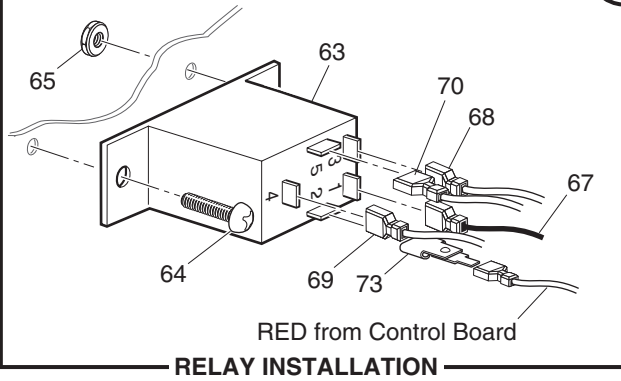


Ref Bco 1-2

BATTERY CHARGER - ON BOARD 36 VOLT

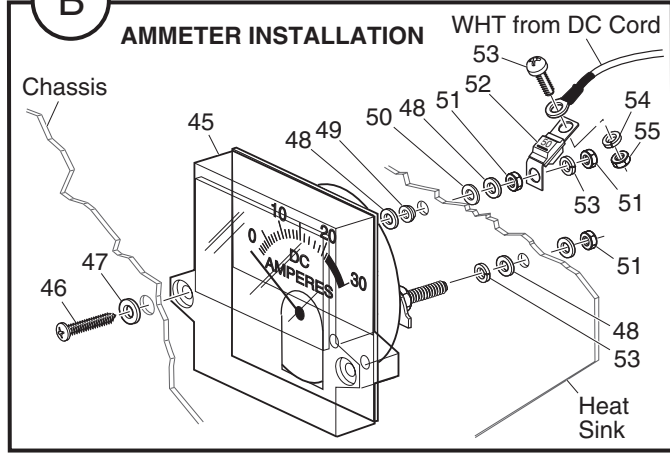
- Pin 1 - Wire 67 to Input Board "COM"
- Pin 2 - Tab Adapter 73, RED wire from Control Board
- Pin 3 - Wire 68 to Input Board "WHT"
- Pin 4 - Wire 69 to Heat Sink Clip
- Pin 5 - Wire 70 to DC Cord RED Wire

A

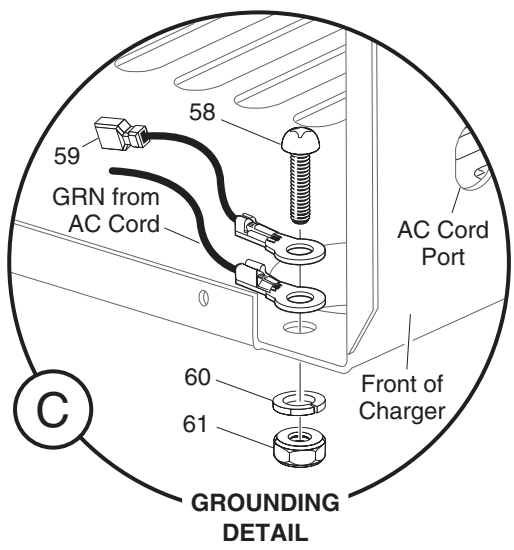


B

AMMETER INSTALLATION

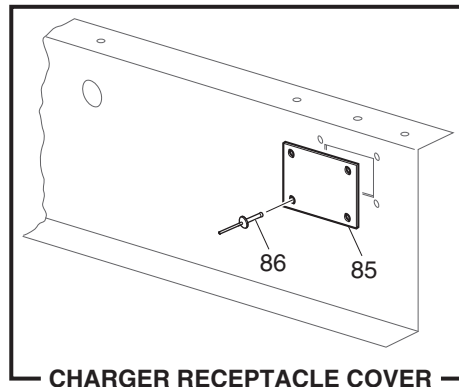
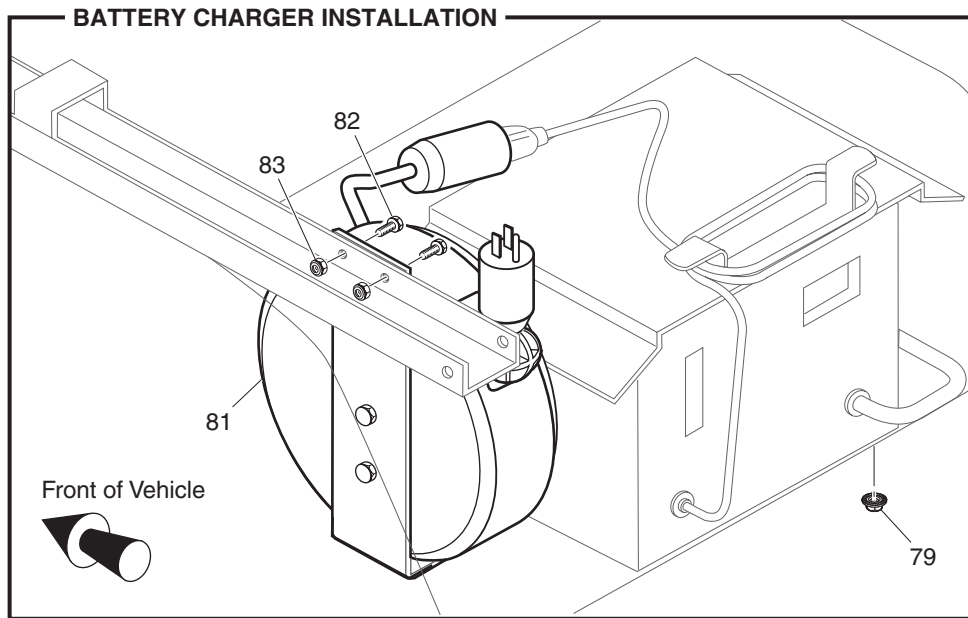
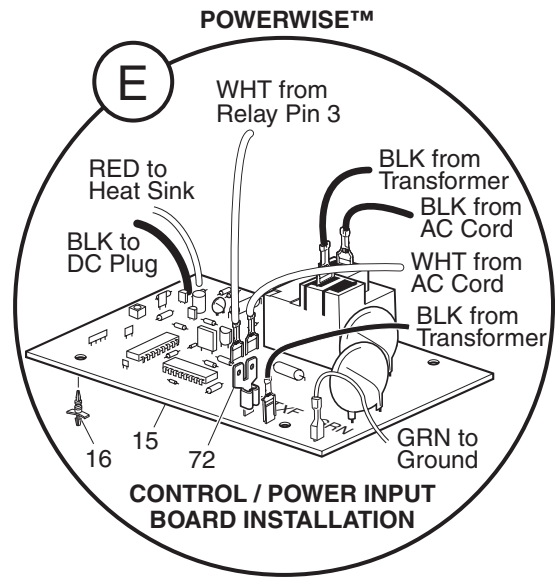
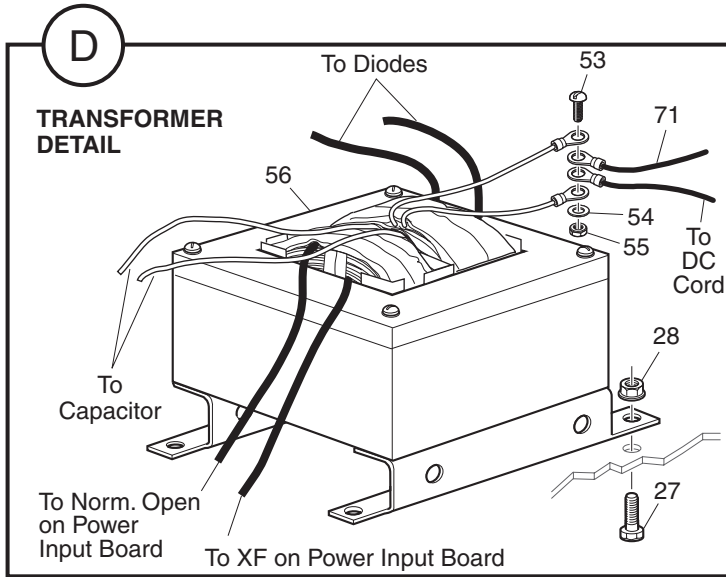


C



Ref Bco 1-3

BATTERY CHARGER - ON BOARD 36 VOLT



Ref Bco 1-4

BATTERY CHARGER - ON BOARD 36 VOLT

Where applicable, THE USE OF NON UL PARTS WILL VOID ANY UL LISTING.
 When ordering parts, please specify the model and serial number of the product.
 * Indicates a component that is not available as an individual part.
 G** Indicates consult Customer Service Department for additional information.

ITEM	PART NO.	1	2	3	4	5	DESCRIPTION	QTY.
1	28115-G11						POWERWISE™ CHARGER (ON BOARD) (INCLUDES ITEMS 2 - 74).....	1
2	*						LABEL (POWERWISE™).....	1
3	*						CHASSIS	1
4	00513-G6						SCREW, #8 - 18 X 1 3/4" LG	2
5	00559-G4						WASHER, #8	2
6	11572-G3						EXPANSION NUT.....	2
7	28104-G01						HEAT SINK	1
8	00372-G4						SCREW, #8 - 32 X 1/2" LG	4
9	00559-G4						WASHER, #8	6
10	00565-G4						LOCK WASHER, #8	4
11	00526-G1						NUT, #8 - 32.....	4
12	28548-G01						DIODE.....	1
13	28110-G01						ELECTRICAL CLIP.....	1
14								
15	28667-G01						CONTROL / POWER INPUT BOARD	1
16	27877-G01						SPACER SUPPORT	4
17								
18	*						COVER	1
19	28102-G01						HANDLE	1
20	00614-G4						SCREW, #8 - 18 X 1/2" LG	4
21	28136-G01						LABEL (VENTILATION).....	1
22	28136-G02						LABEL (CORD CONDITION).....	1
23								
24	26979-G01						CAPACITOR BRACKET	1
25	28109-G01						CAPACITOR	1
26	00969-G01						SCREW, #8 - 32 X 3/8" LG	3
27	00414-G5						BOLT, 1/4 - 20 X 5/8" LG.....	3
28	11027-G2						LOCK NUT, 1/4 - 20.....	3
29	19388-G5						AC CORD	1
30	13557-G2						STRAIN RELIEF (AC).....	1

BATTERY CHARGER - ON BOARD 36 VOLT

Where applicable, THE USE OF NON UL PARTS WILL VOID ANY UL LISTING.

When ordering parts, please specify the model and serial number of the product.

* Indicates a component that is not available as an individual part.

G** Indicates consult Customer Service Department for additional information.

ITEM	PART NO.	1	2	3	4	5	DESCRIPTION	QTY.
31	13557-G3						STRAIN RELIEF (DC).....	1
32								
33	73344-G06						DC CORD ASSEMBLY (INCLUDES ITEMS 34 - 38)	1
34	28107-G01						DC CORD.....	1
35	11343-G3						RING TERMINAL, 3/16"	2
36	11343-G1						RING TERMINAL, 5/16"	2
37	17064-G2						FEMALE TERMINAL.....	2
38	*						HEAT SHRINK TUBING	A/R
39								
40	22009-G2						ISOLATION MOUNT.....	4
41	00559-G7						WASHER, FL-A-N-CP 1/4.....	4
42	00565-G7						WASHER-LK-SP-CP-1/4	4
43	00532-G1						NUT, 1/4 - 20.....	4
44								
45	28105-G01						AMMETER.....	1
46	01051-G01						SCREW, #8 - 16 X 1/2" LG	2
47	00559-G4						WASHER, #8	2
48	01003-G01						WASHER, #10 (BRASS).....	4
49	22589-G2						SHOULDER WASHER, #10	1
50	00771-G6						NYLON WASHER, 3/8".....	1
51	00528-G4						NUT, #10 - 32 (BRASS)	3
52	28106-G01						50 AMP FUSE.....	1
53	00378-G4						SCREW, #10 - 24 X 1/2" LG	2
54	00565-G5						LOCK WASHER, #10	4
55	00526-G3						NUT, #10 - 24.....	2
56	28103-G01						TRANSFORMER	1
57								
58	00372-G3						SCREW, #8 - 32 X 3/8" LG	1
59	25977-G32						16 GA WIRE (GREEN 4").....	1
60	00565-G4						LOCK WASHER, #8	1

BATTERY CHARGER - ON BOARD 36 VOLT

Where applicable, THE USE OF NON UL PARTS WILL VOID ANY UL LISTING.

When ordering parts, please specify the model and serial number of the product.

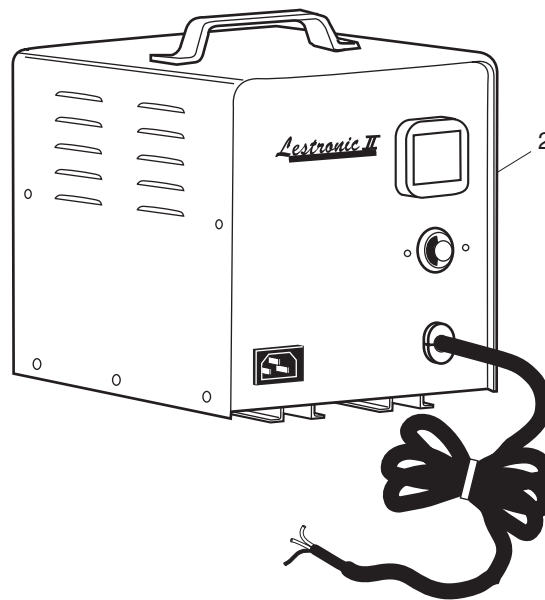
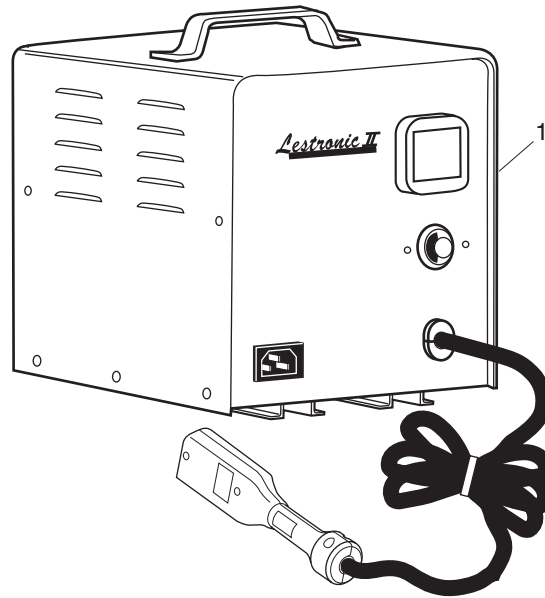
* Indicates a component that is not available as an individual part.

G** Indicates consult Customer Service Department for additional information.

ITEM	PART NO.	1	2	3	4	5	DESCRIPTION	QTY.
61	00526-G1						NUT, #8 - 32.....	1
62								
63	21971-G4						RELAY	1
64	00138-G4						SCREW, #6 - 32 X 1/2" LG	2
65	14390-G9						LOCK NUT, #6 - 32	2
66								
67	25977-G38						16 GA WIRE (BLACK 4").....	1
68	25977-G37						16 GA WIRE (WHITE 5").....	1
69	25978-G161						18 GA WIRE (BLUE 6")	1
70	25978-G162						18 GA WIRE (YELLOW 6").....	1
71	25978-G163						18 GA WIRE (BLACK 7").....	1
72	17902-G1						ADAPTER TAB	1
73	28305-G01						ADAPTER TERMINAL, 1/4" X 3/16".....	1
74								
75								
76	71968-G02						SHIELD	1
77	00106-G6						SCREW, #12 - 24 X 3/4" LG.....	2
78								
79	11027-G2						LOCK NUT, 1/4 - 20	2
80								
81	73368-G01						CORD REEL	1
82	00438-G6						BOLT, 5/16 - 18 X 3/4" LG	2
83	11027-G1						LOCK NUT, 5/16 - 18	2
84								
85	73173-G01						COVER PLATE	1
86	14601-G10						RIVET, 1/8" X 7/16" LG (ALUMINUM).....	4

BATTERY CHARGER - ON BOARD 36 VOLT

BATTERY CHARGER - EXPORT 36 VOLT



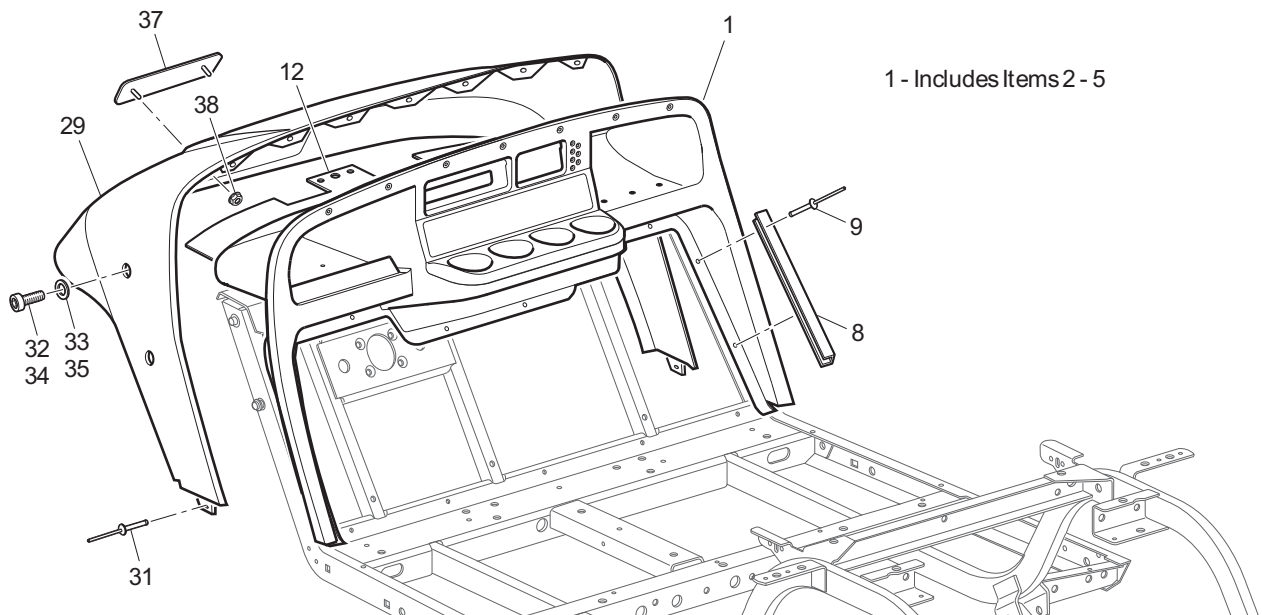
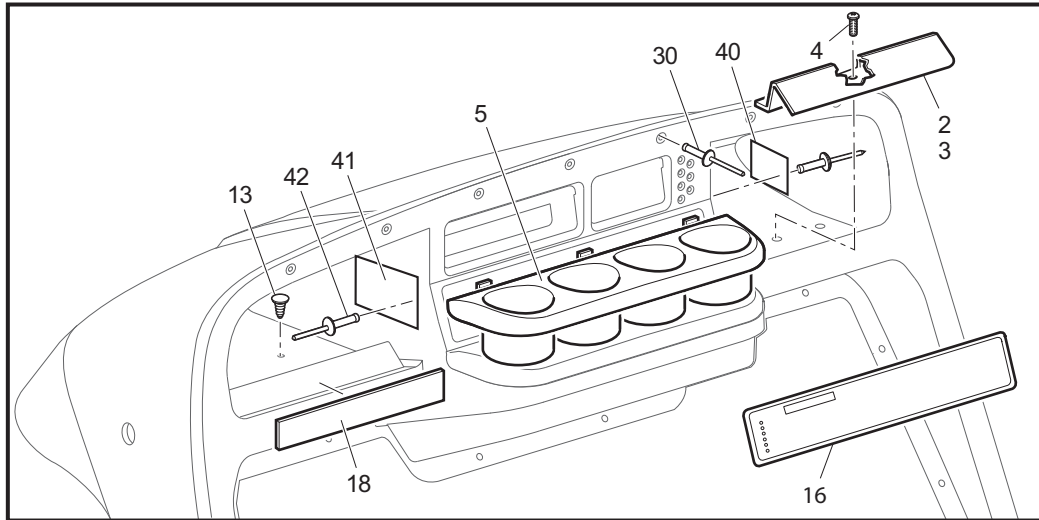
Ref Bcl 1

BATTERY CHARGER - EXPORT 36 VOLT

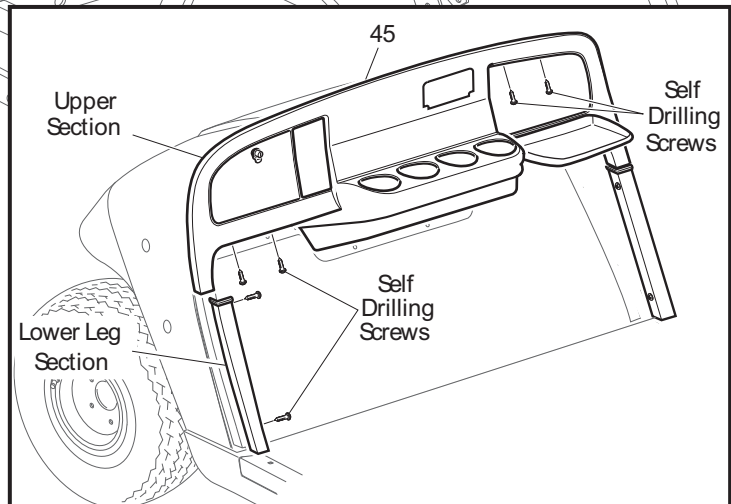
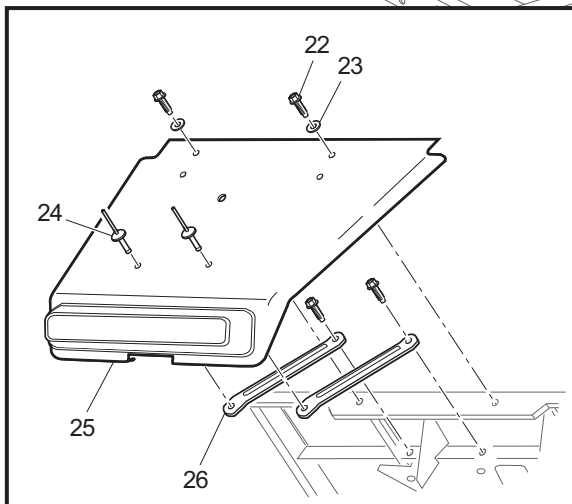
Where applicable, THE USE OF NON UL PARTS WILL VOID ANY UL LISTING.
 When ordering parts, please specify the model and serial number of the product.
 * Indicates a component that is not available as an individual part.
 G** Indicates consult Customer Service Department for additional information.

ITEM	PART NO.	1	2	3	4	5	DESCRIPTION	QTY.
1	28516-G01						BATTERY CHARGER, LESTER, 36 VOLT, PORTABLE WITH POWERWISE CONNECTOR, CE APPROVED (OPTIONAL)	
2	28516-G03						BATTERY CHARGER, LESTER, 36 VOLT, ON-BOARD, CE APPROVED (OPTIONAL) For service or replacement parts, contact: Lester Electrical 625 West "A" Street Lincoln, NE 68522 Phone: (402) 477-8988, FAX: (402) 474-1769 Always provide the following information when requesting information or ordering replacement parts: Model Number: Serial Number: (stamped into housing)	

BODY - FRONT



1 - Includes Items 2 - 5



Ref Bod 1-1

BODY - FRONT

Where applicable, THE USE OF NON UL PARTS WILL VOID ANY UL LISTING.

When ordering parts, please specify the model and serial number of the product.

* Indicates a component that is not available as an individual part.

G** Indicates consult Customer Service Department for additional information.

ITEM	PART NO.	1 2 3 4 5	DESCRIPTION	QTY.
1	71151-G01		INSTRUMENT PANEL ASSEMBLY (INCLUDES ITEMS 2 - 5)	1
2	71153-G01		DEFLECTOR (PASSENGER SIDE)	1
3	71154-G01		DEFLECTOR (DRIVER SIDE).....	1
4	00614-G5		SCREW, #8 - 18 X 5/8" LG	6
5	71158-G01		INSTRUMENT PANEL INSERT (4 CUP HOLDER).....	1
6				
7				
8	71115-G01		VINYL TRIM	2
9	71055-G01		RIVET, 3/16" X 1" LG (ALUMINUM).....	10
10				
11				
12	71413-G01		SPLASH PANEL.....	1
13	16816-G2		RATCHET FASTENER, 1/4" X 3/4" LG	5
14				
15				
16	608465		LABEL (SAFETY).....	1
17				
18	74443-G01		LABEL (ANTI-ROLLBACK)	1
19				
20				
21				
22	01038-G01		BOLT, 1/4 - 20 X 11/16" LG	4
23	16469-G1		WASHER, 1/4"	2
24	01057-G01		RIVET, 1/4" X 1" LG	2
25	27166-G04		FRONT SHIELD	1
26	70725-G02		FRONT SHIELD BRACE.....	2
27				
28				
29	71051-G**		COWL.....	1
30	71055-G01		RIVET, 3/16" X 1" LG (ALUMINUM).....	9

BODY - FRONT

Where applicable, THE USE OF NON UL PARTS WILL VOID ANY UL LISTING.

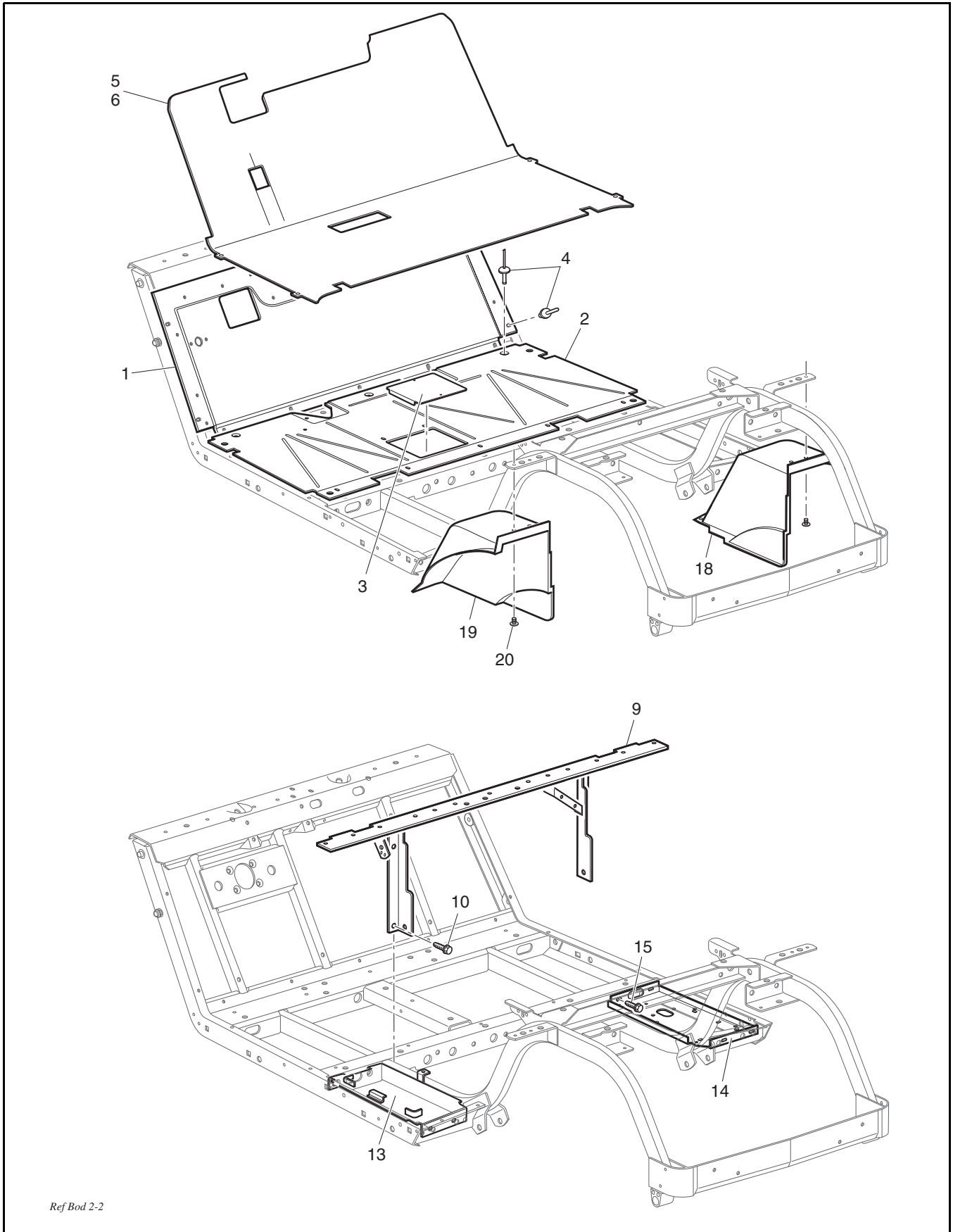
When ordering parts, please specify the model and serial number of the product.

* Indicates a component that is not available as an individual part.

G** Indicates consult Customer Service Department for additional information.

ITEM	PART NO.	1 2 3 4 5	DESCRIPTION	QTY.
31	10570-G11		RIVET, 3/16" X 3/4" LG (STAINLESS STEEL)	2
32	71056-G01		BOLT, 5/16 - 18 X 5/8" LG	4
33	00570-G2		WASHER, 5/16.....	4
34	00438-G6		BOLT, 5/16 - 18 X 3/4" LG (WITH TOP)	2
35	00571-G2		WASHER, 5/16"	2
36				
37	71037-G02		E-Z-GO NAMEPLATE (GOLD).....	1
38	71597-G01		NUT, SELF-THREADING, 5MM STUD x 10MM HEX	2
39				
40				
41				
42				
43				
44				
45	74239-G01		INSTRUMENT PANEL WOODGRAIN APPLIQUE KIT	1

BODY - MID SECTION



Ref Bod 2-2

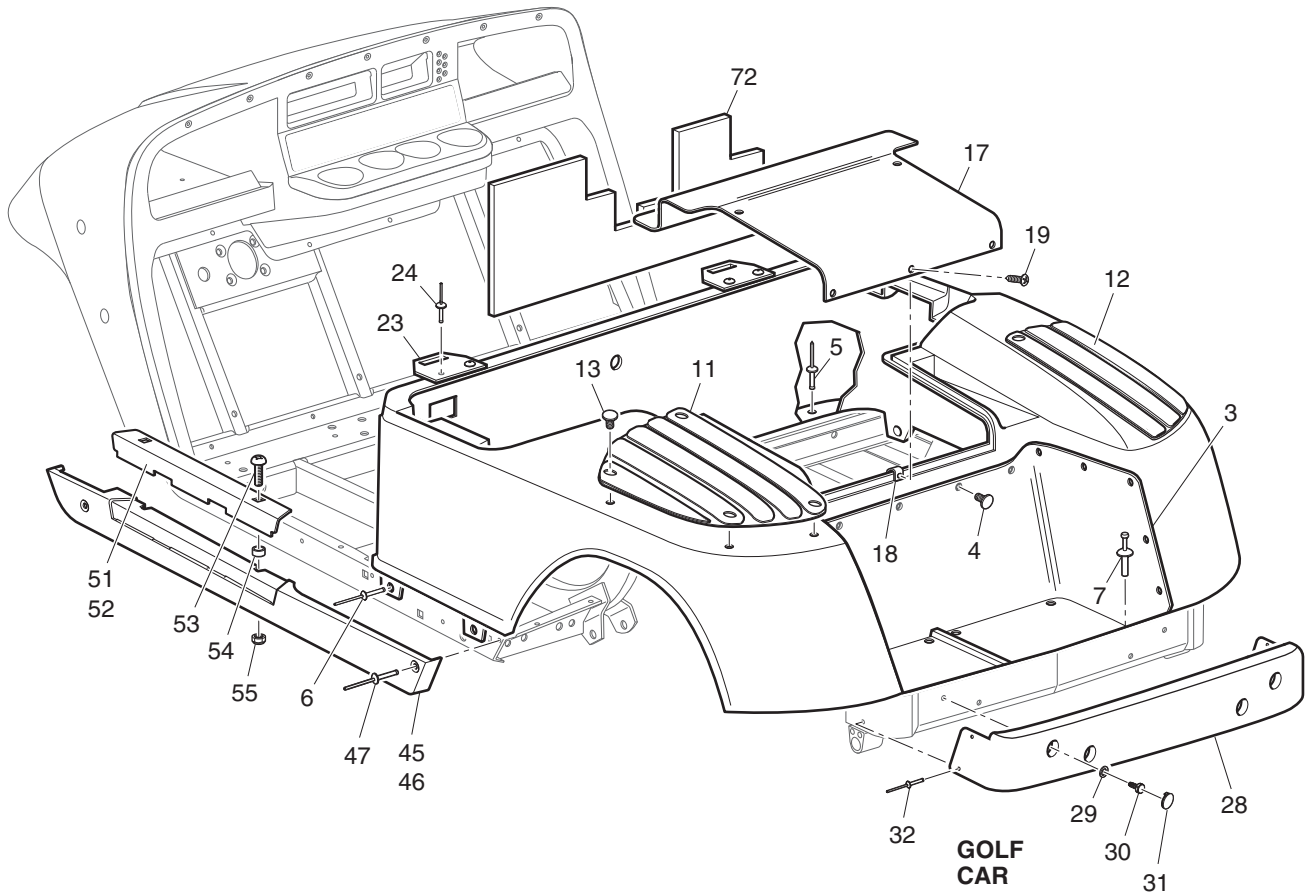
BODY - MID SECTION

Where applicable, THE USE OF NON UL PARTS WILL VOID ANY UL LISTING.
 When ordering parts, please specify the model and serial number of the product.
 * Indicates a component that is not available as an individual part.
 G** Indicates consult Customer Service Department for additional information.

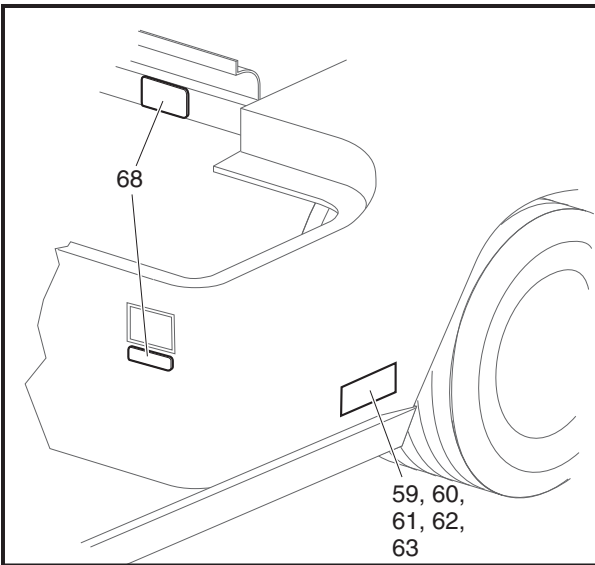
ITEM	PART NO.	1 2 3 4 5	DESCRIPTION	QTY.
1	70662-G01		UPPER FLOORPAN.....	1
2	70451-G01		LOWER FLOORPAN.....	1
3	70452-G01		ACCESS COVER.....	1
4	14601-G11		RIVET, 3/16" X 9/16" LG (ALUMINUM).....	16
5	70995-G01		FLOORMAT.....	1
6	70995-G02		FLOORMAT WITH HORN HOLE.....	1
7				
8				
9	70440-G04		SEAT FRAME.....	1
10	00715-G2		BOLT, 5/16 - 18 X 4/5" LG.....	2
11				
12				
13	600496		BATTERY TRAY.....	1
14	70244-G03		SPLASH PANEL.....	1
15	00715-G2		BOLT, 5/16 - 18 X 4/5" LG.....	4
16				
17				
18	71812-G01		FENDER LINER (PASSENGER SIDE).....	1
19	71812-G02		FENDER LINER (DRIVER SIDE).....	1
20	16816-G2		RATCHET FASTENER, 1/4" X 3/4" LG.....	8

BODY - REAR

- 1 - Includes Items 3, 4
- 2 - Includes Items 3, 4

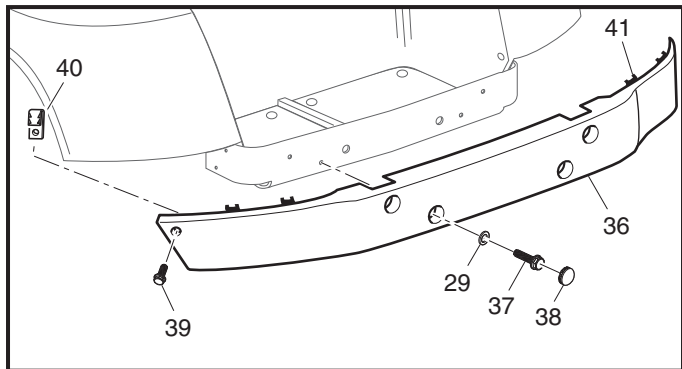


LABELS



Ref Bod 2-3

SHUTTLE 2+2 AND CONVERTIBLE CARRIER



BODY - REAR

Where applicable, THE USE OF NON UL PARTS WILL VOID ANY UL LISTING.

When ordering parts, please specify the model and serial number of the product.

* Indicates a component that is not available as an individual part.

G** Indicates consult Customer Service Department for additional information.

ITEM	PART NO.	1 2 3 4 5	DESCRIPTION	QTY.
1	71912-G4**		REAR BODY (WITHOUT TAILLIGHTS) (INCLUDES ITEMS 3, 4)	1
2	71334-G0**		REAR BODY (WITH TAILLIGHTS) (INCLUDES ITEMS 3, 4).....	1
3	71318-G01		BAGWELL LINER	1
4	16816-G1		RATCHET FASTENER, 1/4" X 9/16" LG	26
5	10570-G10		RIVET, 5/32" X 9/16" LG (STAINLESS STEEL)	6
6	10570-G12		RIVET, 1/4" X 9/16" LG (ALUMINUM)	4
7	18436-G1		RIVET, 1/4" X 3/4" LG	2
8				
9				
10				
11	75126-G01		FENDER SCUFFGUARD (DRIVER SIDE)	1
12	75126-G02		FENDER SCUFFGUARD (PASSENGER SIDE).....	1
13	16816-G2		RATCHET FASTENER, 1/4" X 3/4" LG	8
14				
15				
16				
17	71320-G01		ACCESS PANEL	1
18	71364-G02		'J' CLIP	1
19	01107-G01		SCREW, #8 X 5/8" LG (STAINLESS STEEL)	5
20				
21				
22				
23	71609-G01		SEAT HINGE PLATE	2
24	10570-G11		RIVET, 3/16" X 3/4" LG (STAINLESS STEEL)	4
25				
26				
27				
28	71578-G01		REAR BUMPER	1
29	00571-G2		WASHER, 5/16"	4
30	71102-G01		BOLT, 1/4 - 20 X 3/4" LG	4

BODY - REAR

Where applicable, THE USE OF NON UL PARTS WILL VOID ANY UL LISTING.

When ordering parts, please specify the model and serial number of the product.

* Indicates a component that is not available as an individual part.

G** Indicates consult Customer Service Department for additional information.

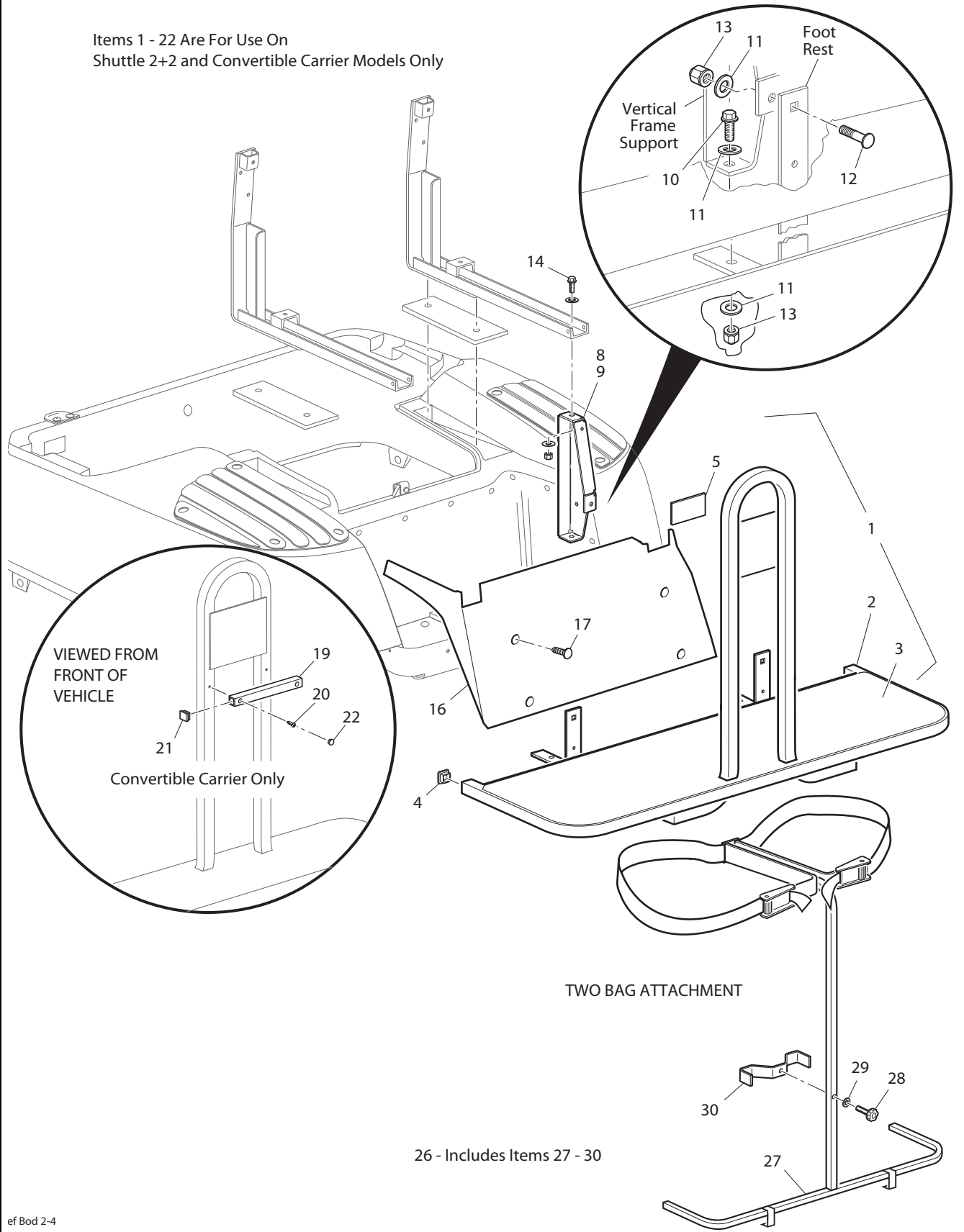
ITEM	PART NO.	1 2 3 4 5	DESCRIPTION	QTY.
31	71514-G01		BUMPER PLUG	4
32	14601-G17		RIVET, 3/16" X 9/16" LG (ALUMINUM)	4
33				
34				
35				
36	71456-G01		REAR BUMPER (SHUTTLE 2+2)	1
37	71398-G01		BOLT, 1/4 - 20 X 1 1/4" LG	2
38	71455-G01		BUMPER PLUG	4
39	71102-G01		BOLT, 1/4 - 20 X 3/4" LG	2
40	71554-G01		'J' TYPE NUT RETAINER.....	2
41	71455-G01		BUMPER STAY	4
42				
43				
44				
45	71501-G01		ROCKER PANEL (PASSENGER SIDE).....	1
46	71502-G01		ROCKER PANEL (DRIVER SIDE)	1
47	15058-G6		RIVET, 3/16" X 15/16" LG (ALUMINUM).....	4
48				
49				
50				
51	71507-G01		SILL PLATE (PASSENGER SIDE).....	1
52	71507-G02		SILL PLATE (DRIVER SIDE).....	1
53	16705-G1		SCREW, 1/4 - 20 X 1" LG (STAINLESS STEEL)	4
54	23726-G4		SPACER, 5/16".....	4
55	14390-G4		LOCK NUT, 1/4 - 20	4
56				
57				
58				
59	75960-G01		LABEL (FREEDOM).....	2
60	75962-G01		LABEL (FREEDOM SE)	2

Where applicable, THE USE OF NON UL PARTS WILL VOID ANY UL LISTING.
 When ordering parts, please specify the model and serial number of the product.
 * Indicates a component that is not available as an individual part.
 G** Indicates consult Customer Service Department for additional information.

ITEM	PART NO.	1 2 3 4 5	DESCRIPTION	QTY.
61	75964-G01		LABEL (FREEDOM LE)	2
62	35434-G01		LABEL (SHUTTLE)	2
63	35430-G19		LABEL (TXT 2+2).....	2
64				
65				
66				
67				
68	*		LABEL (SERIAL NUMBER)	1
69				
70				
71				
72	74024-G01		SEAT WRAP MOUNTED NOISE SUPPRESSOR	1

BODY - FOOTREST

Items 1 - 22 Are For Use On Shuttle 2+2 and Convertible Carrier Models Only



26 - Includes Items 27 - 30

ef Bod 2-4

BODY - FOOTREST

Where applicable, THE USE OF NON UL PARTS WILL VOID ANY UL LISTING.

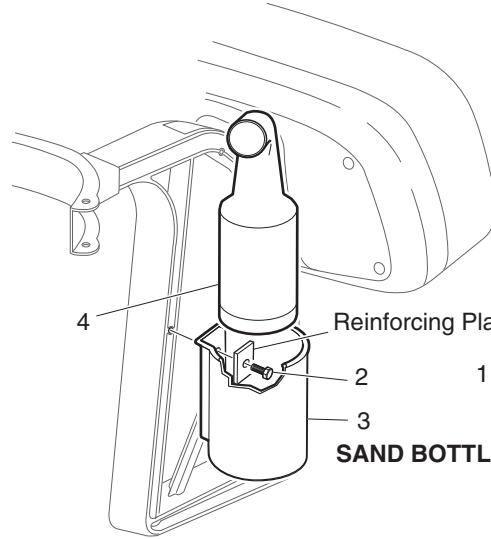
When ordering parts, please specify the model and serial number of the product.

* Indicates a component that is not available as an individual part.

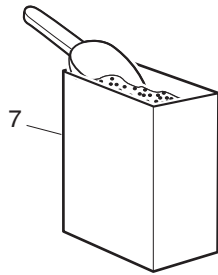
G** Indicates consult Customer Service Department for additional information.

ITEM	PART NO.	1 2 3 4 5	DESCRIPTION	QTY.
1	70361-G01		FOOTREST ASSEMBLY (INCLUDES ITEMS 2 - 5)	1
2	70633-G01		FOOTREST	1
3	70362-G01		FLOOR MAT	1
4	19853-G1		END CAP, 1"	2
5	74074-G01		LABEL (WARNING)	1
6				
7				
8	74126-G01		VERTICAL FRAME SUPPORT (PASSENGER SIDE)	1
9	74126-G02		VERTICAL FRAME SUPPORT (DRIVER SIDE).....	1
10	00427-G6		BOLT, 3/8 - 16 X 1 1/2" LG	2
11	00560-G1		WASHER, 3/8"	10
12	00769-G2		CARRIAGE BOLT, 3/8 - 16 X 1 1/4" LG	2
13	11098-G5		LOCK NUT, 3/8 - 16	10
14	01006-G02		BOLT, 3/8 - 16 X 1" LG	2
15				
16	74149-G01		VALANCE PANEL	1
17	16816-G2		RATCHET FASTENER, 1/4" X 3/4" LG	4
18				
19	75268-G01		SUPPORT	1
20	606882		SELF THREADING SCREW, #12 - 24 X 3/4" LG	2
21	19859-G1		END CAP, 3/4".....	2
22	20271-G2		HOLE PLUG, 1/2"	2
23				
24				
25				
26	75183-G01		TWO BAG ATTACHMENT KIT (INCLUDES ITEMS 27 - 30)	1
27	75188-G01		TWO BAG ATTACHMENT	1
28	22238-G2		KNOB, 3/8 - 16 X 1 1/2" LG	1
29	17255-G1		TEFLON WASHER, 5/16"	1
30	75187-G01		SUPPORT BRACKET.....	1

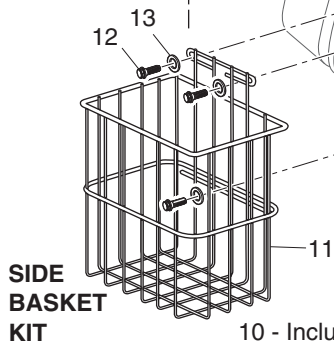
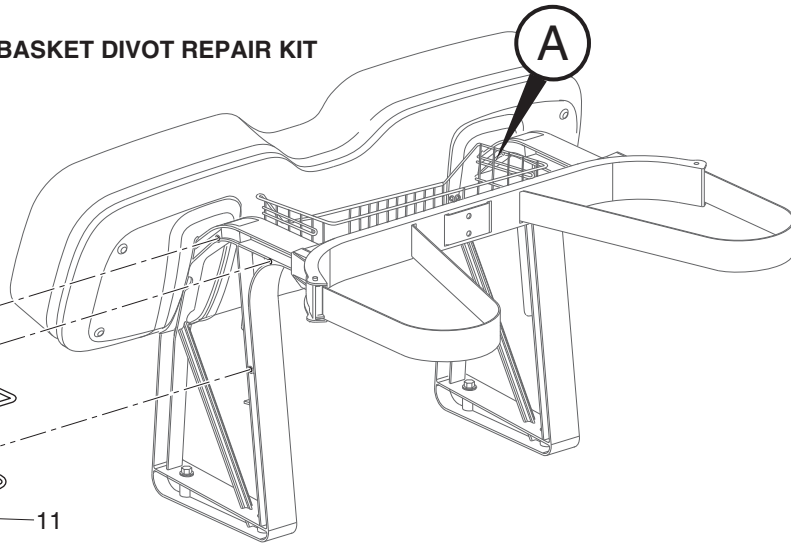
BODY - ACCESSORIES



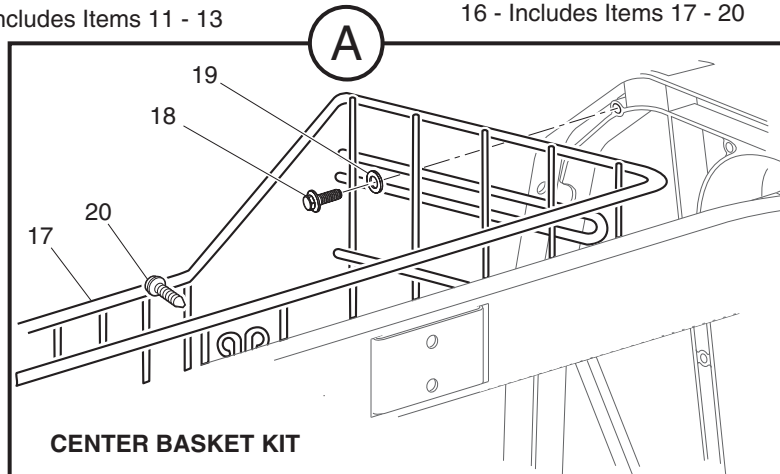
4 Reinforcing Plate (Part of holder)
 2
 3
 1 - Includes Items 2 - 4
SAND BOTTLE DIVOT REPAIR KIT



7
BASKET DIVOT REPAIR KIT



SIDE BASKET KIT
 10 - Includes Items 11 - 13



16 - Includes Items 17 - 20
CENTER BASKET KIT

Ref Bod 2-5

BODY - ACCESSORIES

Where applicable, THE USE OF NON UL PARTS WILL VOID ANY UL LISTING.

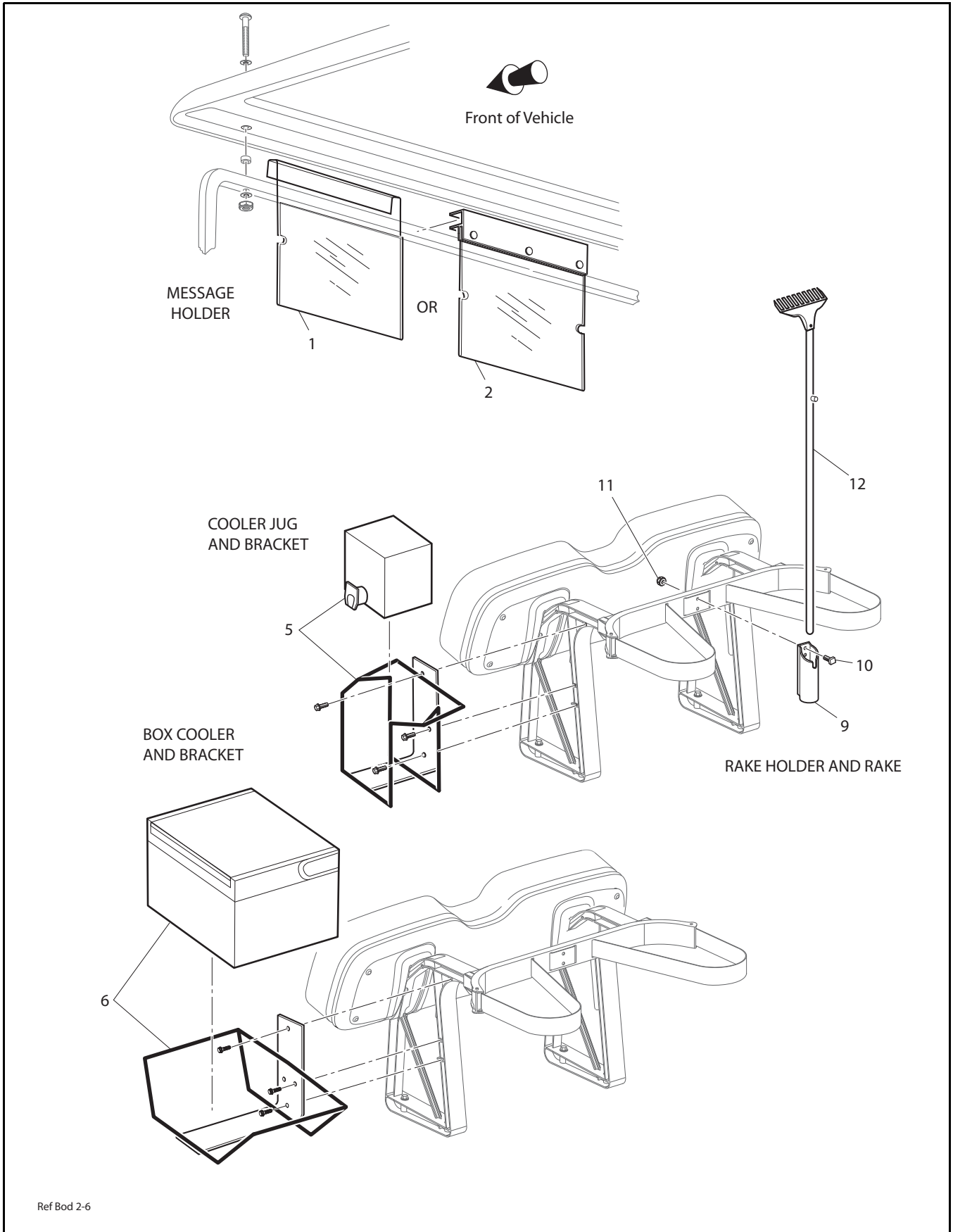
When ordering parts, please specify the model and serial number of the product.

* Indicates a component that is not available as an individual part.

G** Indicates consult Customer Service Department for additional information.

ITEM	PART NO.	1 2 3 4 5	DESCRIPTION	QTY.
1	28661-G01		SAND BOTTLE DIVOT REPAIR KIT (INCLUDES ITEMS 2 - 4)	1
2	71102-G01		BOLT, 1/4 - 20 X 3/4" LG.....	1
3	28660-G01		SAND BOTTLE HOLDER	1
4	28659-G01		SAND BOTTLE	1
5				
6				
7	23300-G01		BASKET DIVOT REPAIR KIT (INCLUDES SCOOP)	1
8				
9				
10	75007-G02		SIDE BASKET KIT (INCLUDES ITEMS 11 - 13).....	1
11	75460-G01		SIDE BASKET	1
12	71102-G01		BOLT, 1/4 - 20 X 3/4" LG.....	3
13	00793-G2		FLAT WASHER, 1/4" (STAINLESS STEEL)	3
14				
15				
16	75003-G02		CENTER BASKET KIT (INCLUDES ITEMS 17 - 20)	1
17	75461-G01		CENTER BASKET	1
18	71102-G01		BOLT, 1/4 - 20 X 3/4" LG.....	2
19	00793-G2		FLAT WASHER, 1/4" (STAINLESS STEEL)	2
20	01105-G01		SCREW, #10 X 5/8" LG (STAINLESS STEEL)	2

BODY - ACCESSORIES CONTINUED



BODY - ACCESSORIES CONTINUED

Where applicable, THE USE OF NON UL PARTS WILL VOID ANY UL LISTING.

When ordering parts, please specify the model and serial number of the product.

* Indicates a component that is not available as an individual part.

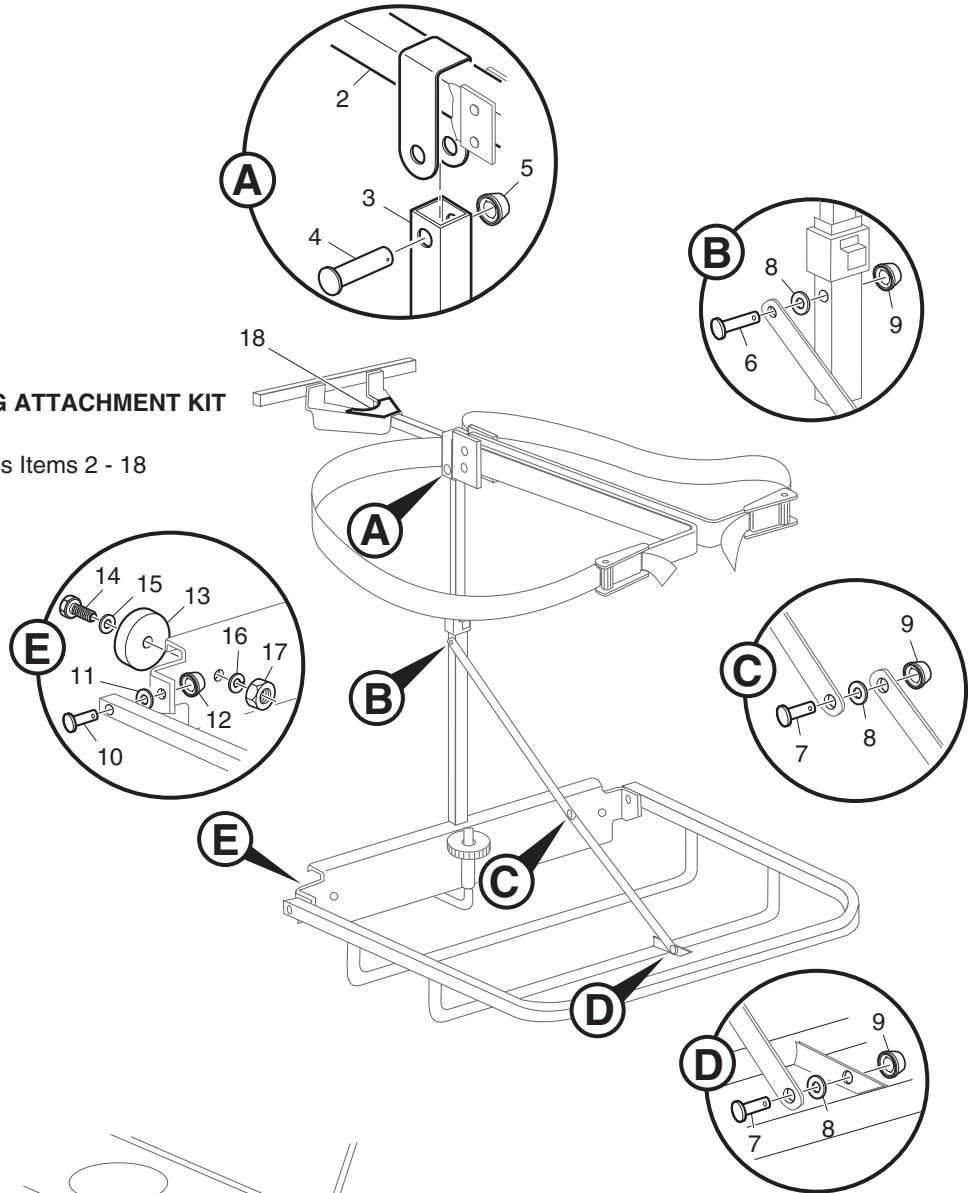
G** Indicates consult Customer Service Department for additional information.

ITEM	PART NO.	1 2 3 4 5	DESCRIPTION	QTY.
1	75509-G01		MESSAGE HOLDER (ONE PIECE).....	1
2	75496-G01		MESSAGE HOLDER.....	1
3				
4				
5	75495-G01		COOLER JUG AND BRACKET KIT	1
6	75344-G01		BOX COOLER AND BRACKET KIT	1
7				
8				
9	25885-G01		RAKE HOLDER.....	1
10	00989-G06		SQUARE HEAD BOLT, 1/4 - 20 X 3/4" LG.....	2
11	11027-G2		LOCK NUT, 1/4 - 20	2
12	14735-G1		RAKE.....	1

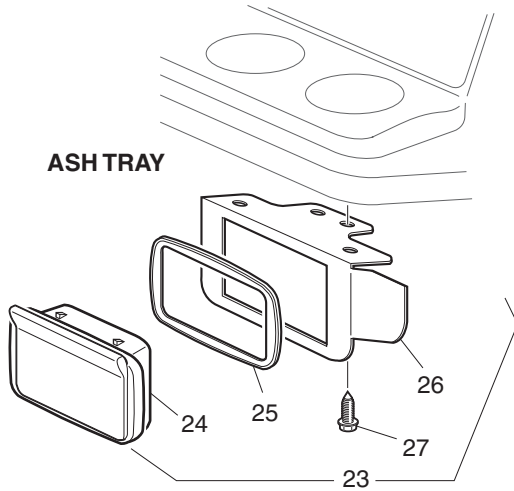
BODY - ACCESSORIES CONTINUED

FOUR BAG ATTACHMENT KIT

1 - Includes Items 2 - 18



ASH TRAY



Ref Bod 2-7

BODY - ACCESSORIES CONTINUED

Where applicable, THE USE OF NON UL PARTS WILL VOID ANY UL LISTING.

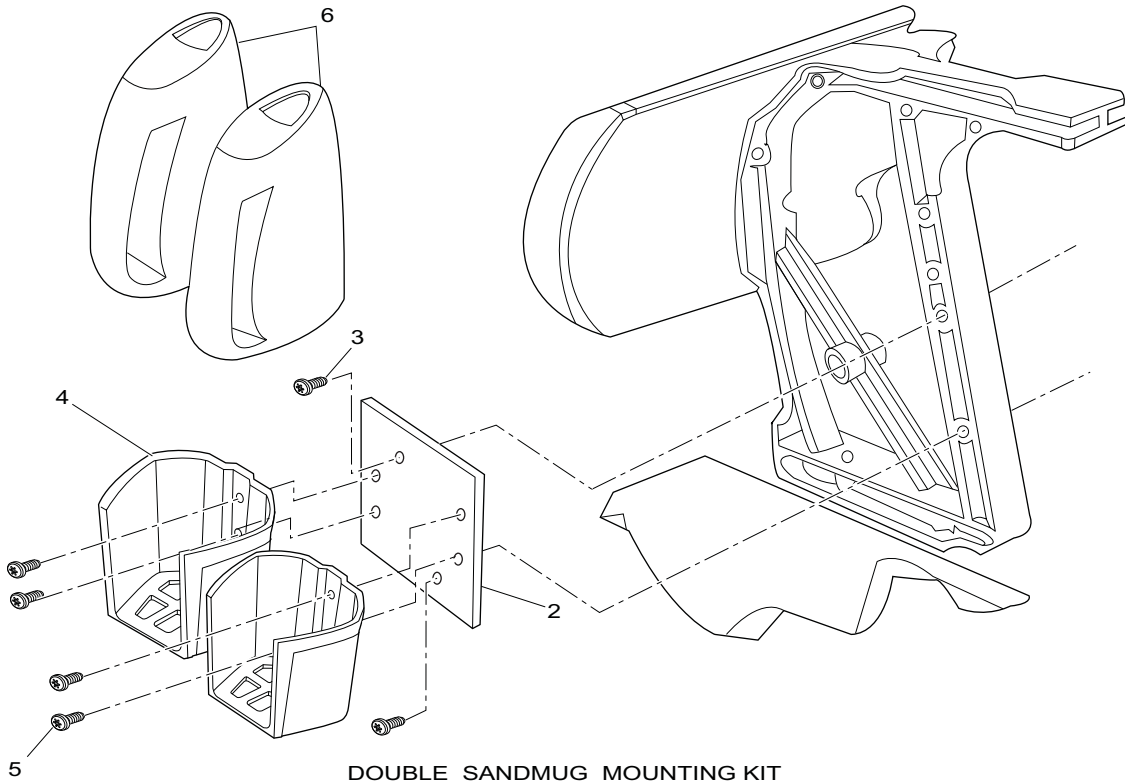
When ordering parts, please specify the model and serial number of the product.

* Indicates a component that is not available as an individual part.

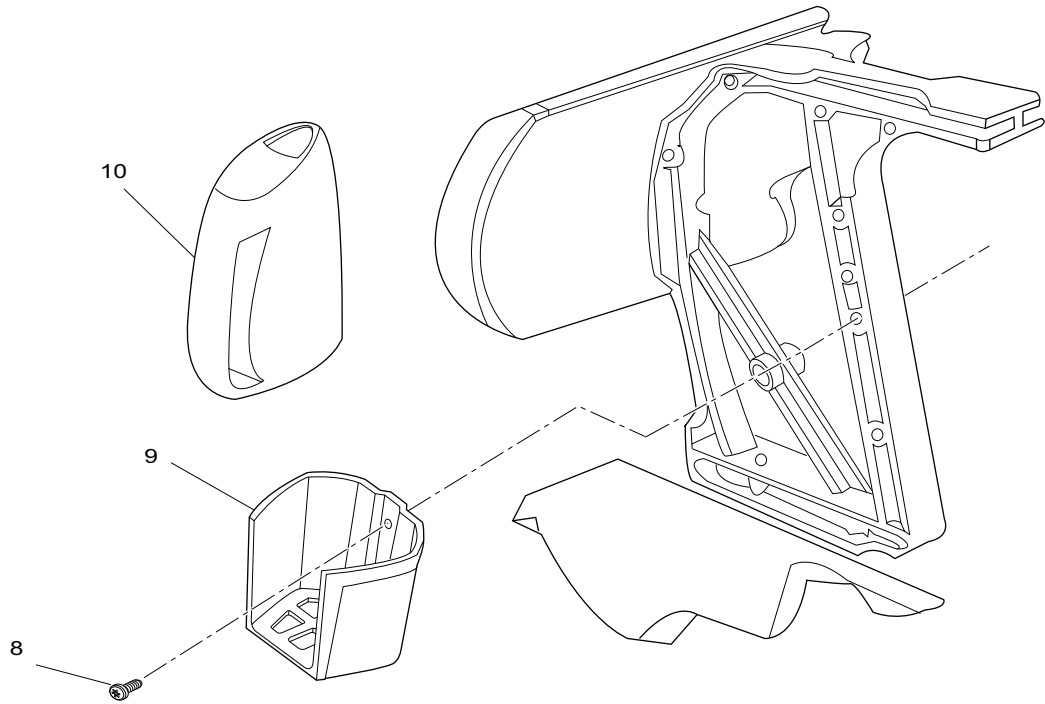
G** Indicates consult Customer Service Department for additional information.

ITEM	PART NO.	1 2 3 4 5	DESCRIPTION	QTY.
1	75335-G01		FOUR BAG ATTACHMENT KIT (INCLUDES ITEMS 2 - 18)	1
2	*		TOP ASSEMBLY	1
3	*		BOTTOM ASSEMBLY	1
4	17651-G2		CLEVIS PIN, 5/16 X 1 1/8" LG.....	1
5	28129-G01		PUSH NUT, 5/16".....	1
6	17651-G2		CLEVIS PIN, 5/16 X 1 1/8" LG.....	1
7	17651-G3		CLEVIS PIN, 5/16 X 1/2" LG.....	2
8	00559-G8		WASHER, 5/16"	3
9	28129-G01		PUSH NUT, 5/16".....	3
10	*		CLEVIS PIN 3/8 X 1 1/4" LG.....	2
11	00560-G1		WASHER, 3/8"	2
12	*		PUSH NUT, 3/8".....	2
13	13728-G1		RUBBER BUMPER.....	2
14	00150-G6		SCREW, #10 - 24 X 3/4" LG	2
15	00559-G5		WASHER, #10	2
16	00565-G5		LOCK WASHER, #10	2
17	00526-G3		NUT, #10 - 24.....	2
18	*		LABEL (WARNING)	1
19				
20				
21				
22				
23	75109-G02		ASH TRAY KIT (INCLUDES ITEMS 24 - 27)	1
24	27731-G01		ASH TRAY	1
25	27736-G01		GASKET	1
26	75108-G02		BRACKET	1
27	00100-G4		SCREW, #10 - 16 X 1/2" LG	4

BODY - ACCESSORIES CONTINUED



DOUBLE SANDMUG MOUNTING KIT
ITEM 1 INCLUDES 2 TO 6



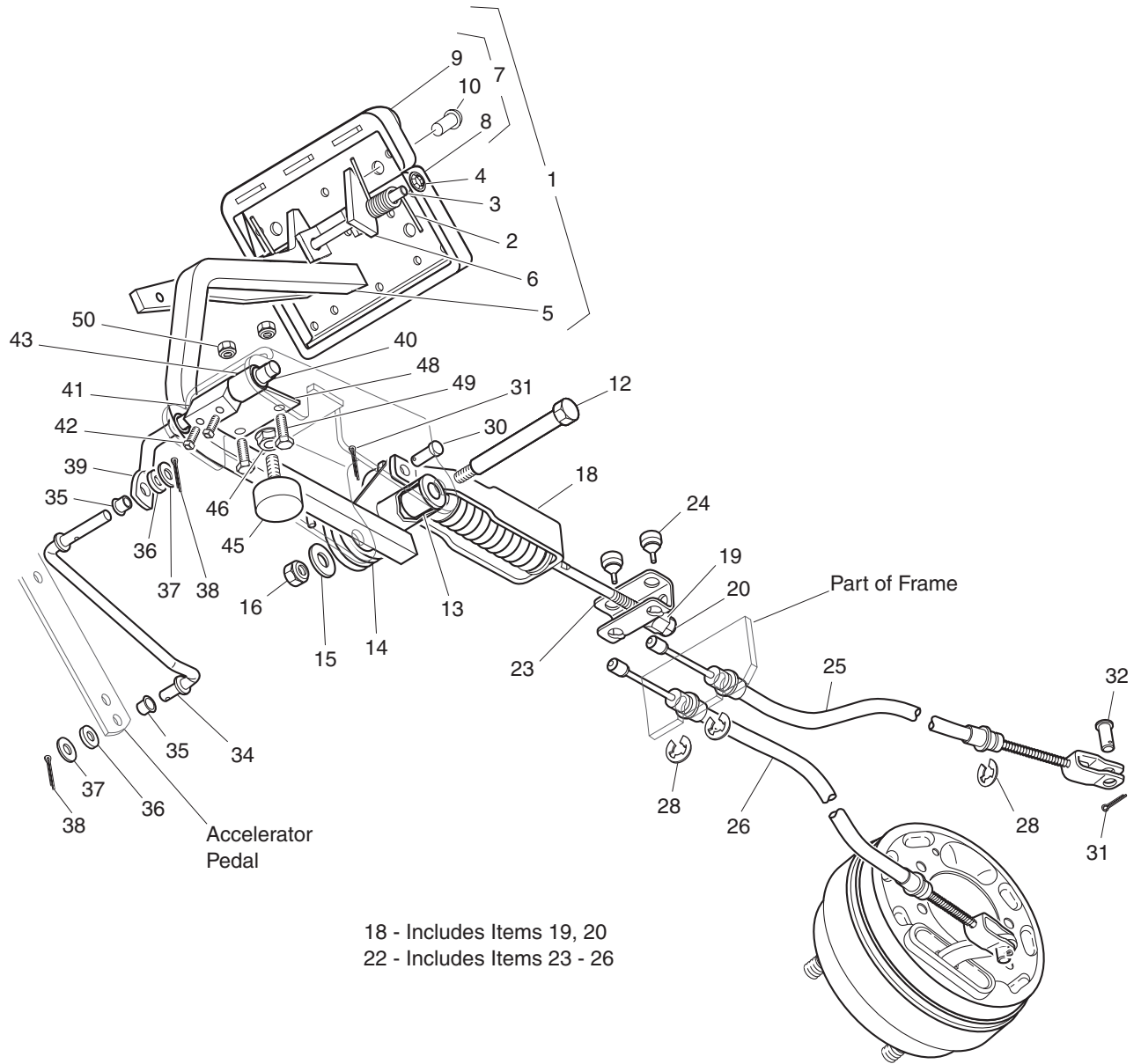
SINGLE SANDMUG MOUNTING KIT
ITEM 7 INCLUDES 8 TO 10

BODY - ACCESSORIES CONTINUED

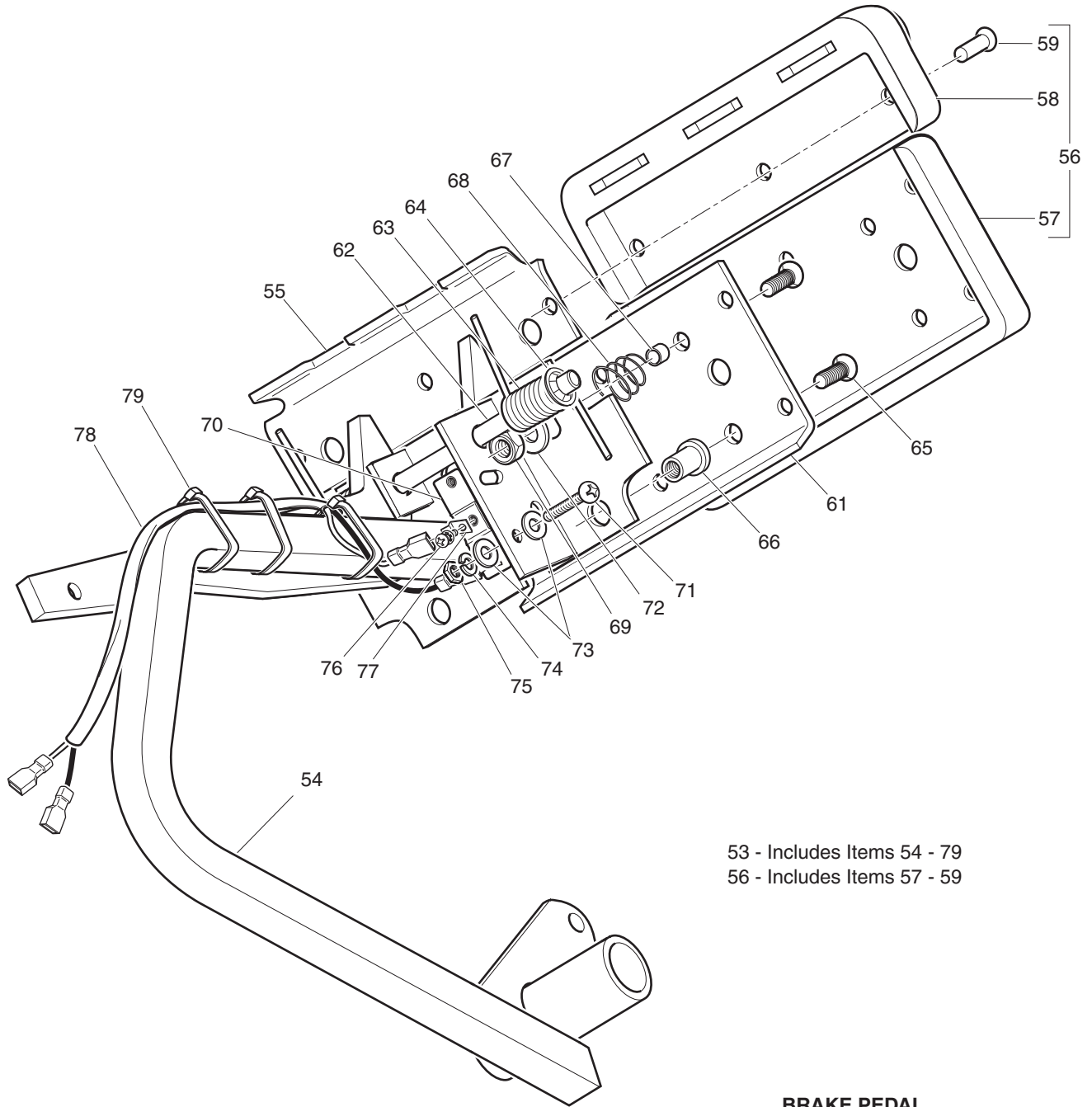
Where applicable, THE USE OF NON UL PARTS WILL VOID ANY UL LISTING.
 When ordering parts, please specify the model and serial number of the product.
 * Indicates a component that is not available as an individual part.
 G** Indicates consult Customer Service Department for additional information.

ITEM	PART NO.	1 2 3 4 5	DESCRIPTION	QTY.
1	606986		DOUBLE SANDMUG MOUNTING KIT (INCLUDES 2-6)	1
2	606988		MOUNTING PLATE, SAND MUG - HOLDER.....	1
3	71102-G01		BOLT 1/4 - 20 X 3/4	2
4	606950		SAND MUG HOLDER.....	2
5	*		BOLT 1/4 - 20 X 1/2	4
6	606949		SAND MUG.....	2
7	606951		SINGLE SANDMUG MOUNTING KIT (INCLUDES 8-10).....	1
8	71102-G01		BOLT 1/4 - 20 X 3/4	1
9	606950		SAND MUG HOLDER.....	1
10	606949		SAND MUG.....	1

BRAKES



Ref Brk 1-1

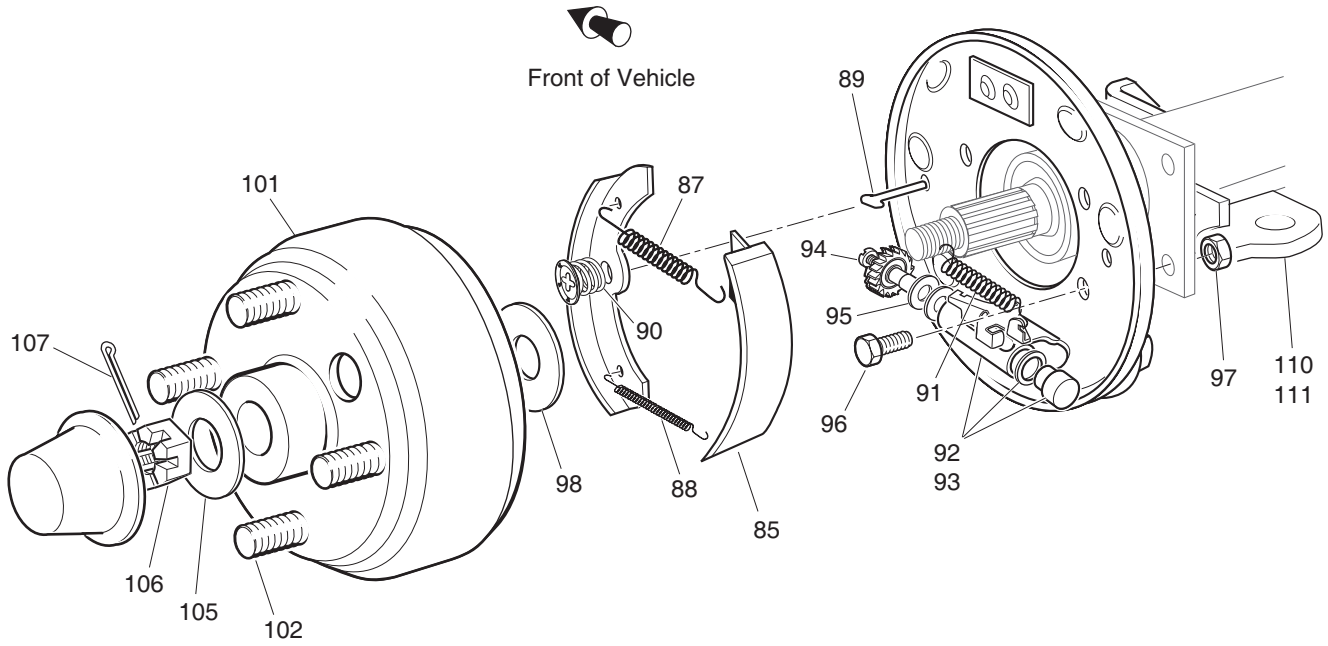


53 - Includes Items 54 - 79
56 - Includes Items 57 - 59

**BRAKE PEDAL
(VEHICLE WITH BRAKE LIGHTS)**

Ref Brk 1-2

BRAKES



- 82 - Includes Items 84 - 92, 94, 95
- 83 - Includes Items 84 - 91, 93 - 95
- 84 - Includes Items 85
- 86 - Includes Items 87 - 91
- 92 - Includes Items 94, 95
- 93 - Includes Items 94, 95
- 100 - Includes Items 101, 102

Ref Brk 1-3

BRAKES

Where applicable, THE USE OF NON UL PARTS WILL VOID ANY UL LISTING.

When ordering parts, please specify the model and serial number of the product.

* Indicates a component that is not available as an individual part.

G** Indicates consult Customer Service Department for additional information.

ITEM	PART NO.	1	2	3	4	5	DESCRIPTION	QTY.
1	70612-G01						BRAKE PEDAL ASSEMBLY (WITHOUT BRAKE LIGHTS) (INCLUDES ITEMS 2 - 10).....	1
2	70681-G01						TORSION SPRING.....	2
3	70682-G01						PIVOT PIN.....	1
4	01071-G01						PUSHNUT, 5/16".....	2
5	*						BRAKE PEDAL.....	1
6	70611-G02						PARK BRAKE PEDAL.....	1
7	70274-G01						BRAKE/PARK BRAKE PEDAL PAD KIT (INCLUDES ITEMS 8 - 10).....	1
8	*						SERVICE BRAKE PAD.....	1
9	*						PARK BRAKE PEDAL PAD.....	1
10	15766-G1						OVAL RIVET, 3/16" X 7/16" LG.....	9
11								
12	70582-G01						SHOULDER BOLT, 3/8 - 16 X 4" LG (STAINLESS STEEL).....	1
13	70581-G01						FLANGED BUSHING.....	2
14	70676-G01						TORSION SPRING.....	1
15	00643-G1						WASHER, 3/8".....	1
16	11098-G5						LOCK NUT, 3/8 - 16.....	1
17								
18	70272-G04						COMPENSATOR ASSEMBLY (INCLUDES ITEMS 19, 20).....	1
19	00963-G01						SPHERICAL NUT, 5/16 - 24.....	1
20	11098-G9						LOCK NUT, 5/16 - 24.....	1
21								
22	70969-G03						EQUALIZER AND BRAKE CABLE ASSEMBLY (INCLUDES ITEMS 23 - 26) ...	1
23	28082-G01						EQUALIZER BRACKET.....	1
24	28083-G01						BRAKE COMPENSATOR BUMPER.....	2
25	*						BRAKE CABLE (DRIVER SIDE).....	1
26	*						BRAKE CABLE (PASSENGER SIDE).....	1
27								
28	01111-G01						RETAINING RING, 4/5" (STAINLESS STEEL).....	4
29								

BRAKES

Where applicable, THE USE OF NON UL PARTS WILL VOID ANY UL LISTING.

When ordering parts, please specify the model and serial number of the product.

* Indicates a component that is not available as an individual part.

G** Indicates consult Customer Service Department for additional information.

ITEM	PART NO.	1 2 3 4 5	DESCRIPTION	QTY.
30	10386-G3		CLEVIS PIN, 5/16" X 13/16" LG	1
31	10387-G3		COTTER PIN, 3/32" X 3/4" LG	3
32	14443-G2		CLEVIS PIN, 5/16" X 5/8" LG	2
33				
34	70601-G01		KICK-OFF LINK.....	1
35	17838-G1		NYLON BUSHING.....	2
36	20835-G1		TEFLON WASHER, 3/8"	2
37	00559-G8		WASHER, 5/16"	2
38	10387-G3		COTTER PIN, 3/32" X 3/4" LG	2
39	70098-G01		KICK-OFF CAM PIVOT	1
40	10097-G6		FLANGED BEARING	2
41	70587-G01		KICK-OFF CAM.....	1
42	71215-G01		SETSCREW, 1/4 - 20 X 1/2" LG	2
43	14134-G4		SPACER.....	1
44				
45	70113-G01		ADJUSTABLE BUMPER.....	1
46	11027-G1		LOCK NUT, 5/16 - 18	1
47				
48	70080-G02		CATCH BRACKET	1
49	00414-G6		BOLT, 1/4 - 20 X 3/4" LG	2
50	00891-G2		NUT, 1/4 - 20 NYLOCK.....	2
51				
52				
53	70690-G02		BRAKE PEDAL ASSEMBLY (WITH BRAKE LIGHTS) (INCLUDES ITEMS 54 - 79).....	1
54	*		BRAKE PEDAL.....	1
55	70611-G02		PARK BRAKE PEDAL	1
56	70274-G01		BRAKE/PARK BRAKE PEDAL PAD KIT (INCLUDES ITEMS 57 - 59)	1
57	*		SERVICE BRAKE PAD	1
58	*		PARK BRAKE PAD	1

BRAKES

Where applicable, THE USE OF NON UL PARTS WILL VOID ANY UL LISTING.

When ordering parts, please specify the model and serial number of the product.

* Indicates a component that is not available as an individual part.

G** Indicates consult Customer Service Department for additional information.

ITEM	PART NO.	1	2	3	4	5	DESCRIPTION	QTY.
59	15766-G1						OVAL RIVET, 3/16" x 7/16" LG	9
60								
61	70258-G03						BRAKE PEDAL PLATE.....	1
62	70682-G01						PIVOT PIN	1
63	70681-G01						TORSION SPRING.....	2
64	01071-G01						PUSHNUT, CAP WASHER TYPE 5/16"	1
65	00737-G8						SCREW, #10 - 24 X 7/8" LG.....	4
66	00739-G1						RUBBER NUT, #10 - 24	2
67	74535-G01						BRAKE PEDAL STANDOFF.....	2
68	27137-G01						CONICAL SPRING	2
69	14390-G10						NUT, NYLOCK #10 - 24.....	2
70	10606-G8						MICRO SWITCH.....	1
71	00957-G1						BOLT, #6 - 32 X 1 1/4" LG.....	2
72	00559-G5						WASHER, #10	2
73	00559-G3						WASHER, #6	4
74	00565-G3						LOCK WASHER, #6	2
75	00525-G5						NUT, #6 - 32	2
76	13514-G1						SCREW AND LOCK WASHER, #6 - 32 X 1/4" (BRASS).....	2
77	14628-G1						PUSH ON MALE TERMINAL.....	2
78	24605-G1						WIRE HARNESS (BRAKE LIGHT)	1
79	17618-G1						WIRE TIE	3
80								
81								
82	70998-G01						BRAKE ASSEMBLY (DRIVER SIDE) (INCLUDES ITEMS 84 - 92, 94, 95).....	1
83	70998-G02						BRAKE ASSEMBLY (PASSENGER SIDE) (INCLUDES ITEMS 84 - 91, 93 - 95)	1
84	70794-G01						BRAKE SHOE KIT (INCLUDES ITEM 85).....	2
85	*						BRAKE SHOE	2
86	27944-G01						BRAKE SPRING KIT (INCLUDES ITEMS 87 - 91).....	2
87	*						UPPER SPRING	1

BRAKES

Where applicable, THE USE OF NON UL PARTS WILL VOID ANY UL LISTING.

When ordering parts, please specify the model and serial number of the product.

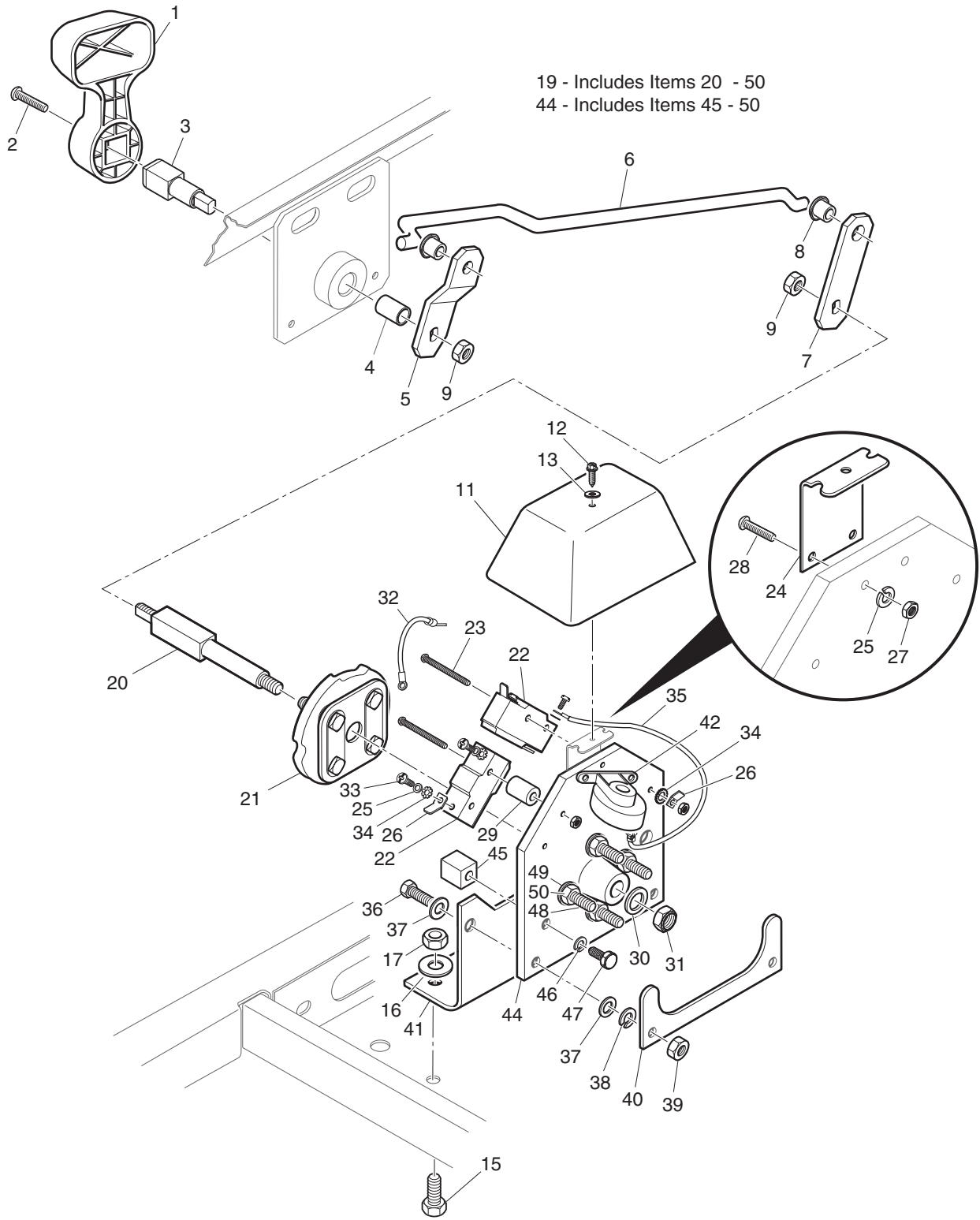
* Indicates a component that is not available as an individual part.

G** Indicates consult Customer Service Department for additional information.

ITEM	PART NO.	1	2	3	4	5	DESCRIPTION	QTY.
88	*						LOWER SPRING	1
89	*						PIN	2
90	*						CUP AND SPRING	2
91	*						ADJUSTER SPRING.....	1
92	72582-G01						BRAKE ADJUSTER KIT (DRIVER SIDE) (INCLUDES ITEMS 94, 95)	1
93	72582-G02						BRAKE ADJUSTER KIT (PASSENGER SIDE) (INCLUDES ITEMS 94, 95)	1
94	*						ADJUSTER	1
95	*						TEFLON WASHER	2
96	17083-G2						BOLT, 5/16 - 24 X 1" LG	8
97	15126-G1						LOCK NUT, 5/16 - 24	8
98	15485-G1						WASHER, 13/16"	2
99								
100	19186-G01						BRAKE DRUM ASSEMBLY (INCLUDES ITEMS 101 - 102)	2
101	*						BRAKE DRUM	1
102	19862-G1						LUG BOLT, 1/2 - 20 X 1 3/16" LG	4
103								
104								
105	15487-G1						WASHER, 1 3/8" O.D. X 21/32"	2
106	15483-G1						CASTELLATED NUT, 5/8 - 18	2
107	10387-G1						COTTER PIN, 1/8" X 1 1/2" LG	2
108								
109								
110	72036-G03						BRAKE CABLE BRACKET (PASSENGER SIDE)	1
111	72036-G04						BRAKE CABLE BRACKET (DRIVER SIDE)	1

DIRECTION SELECTOR

*NOTE: For PDS Direction Selector See ELECTRICAL SYSTEM Section



Ref Dsl 1-1

DIRECTION SELECTOR

Where applicable, THE USE OF NON UL PARTS WILL VOID ANY UL LISTING.

When ordering parts, please specify the model and serial number of the product.

* Indicates a component that is not available as an individual part.

G** Indicates consult Customer Service Department for additional information.

ITEM	PART NO.	1 2 3 4 5	DESCRIPTION	QTY.
1	71205-G01		DIRECTION SELECTOR HANDLE.....	1
2	00740-G4		SCREW, #10 - 32 X 1/2" LG (STAINLESS STEEL).....	1
3	70233-G01		DIRECTION SELECTOR SHAFT	1
4	25664-G2		BUSHING	1
5	70334-G01		OFFSET SHIFT LINKAGE ARM	1
6	70313-G01		LINKAGE ROD.....	1
7	70232-G03		SHIFT LINKAGE ARM	1
8	22754-G3		BUSHING	2
9	14390-G1		LOCK NUT, 3/8 - 24	2
10				
11	73049-G01		DIRECTION SELECTOR COVER	1
12	00114-G6		SCREW, 1/4 - 14 X 3/4" LG	1
13	16469-G1		WASHER, 1/4"	1
14				
15	00438-G6		BOLT, 5/16 - 18 X 3/4" LG	2
16	00571-G2		WASHER FLAT, 5/16"	2
17	11098-G6		NUT, NYLOCK 5/16 - 18	2
18				
19	70578-G02		DIRECTION SELECTOR ASSEMBLY (INCLUDES ITEMS 20 - 50).....	1
20	73027-G01		DIRECTION SELECTOR SHAFT	1
21	12835-G1		CAM.....	1
22	10606-G2		MICRO SWITCH.....	2
23	00645-G7		SCREW, #6 - 32 X 2" LG	4
24	73048-G01		COVER BRACKET	1
25	00565-G3		LOCK WASHER, #6	6
26	14628-G1		PUSH ON MALE TERMINAL.....	3
27	00525-G5		NUT, #6 - 32	6
28	00645-G5		SCREW, #6 - 32 X 5/8" LG	2
29	12806-G1		SPACER	4
30	00560-G1		WASHER, 3/8"	1

DIRECTION SELECTOR

Where applicable, THE USE OF NON UL PARTS WILL VOID ANY UL LISTING.

When ordering parts, please specify the model and serial number of the product.

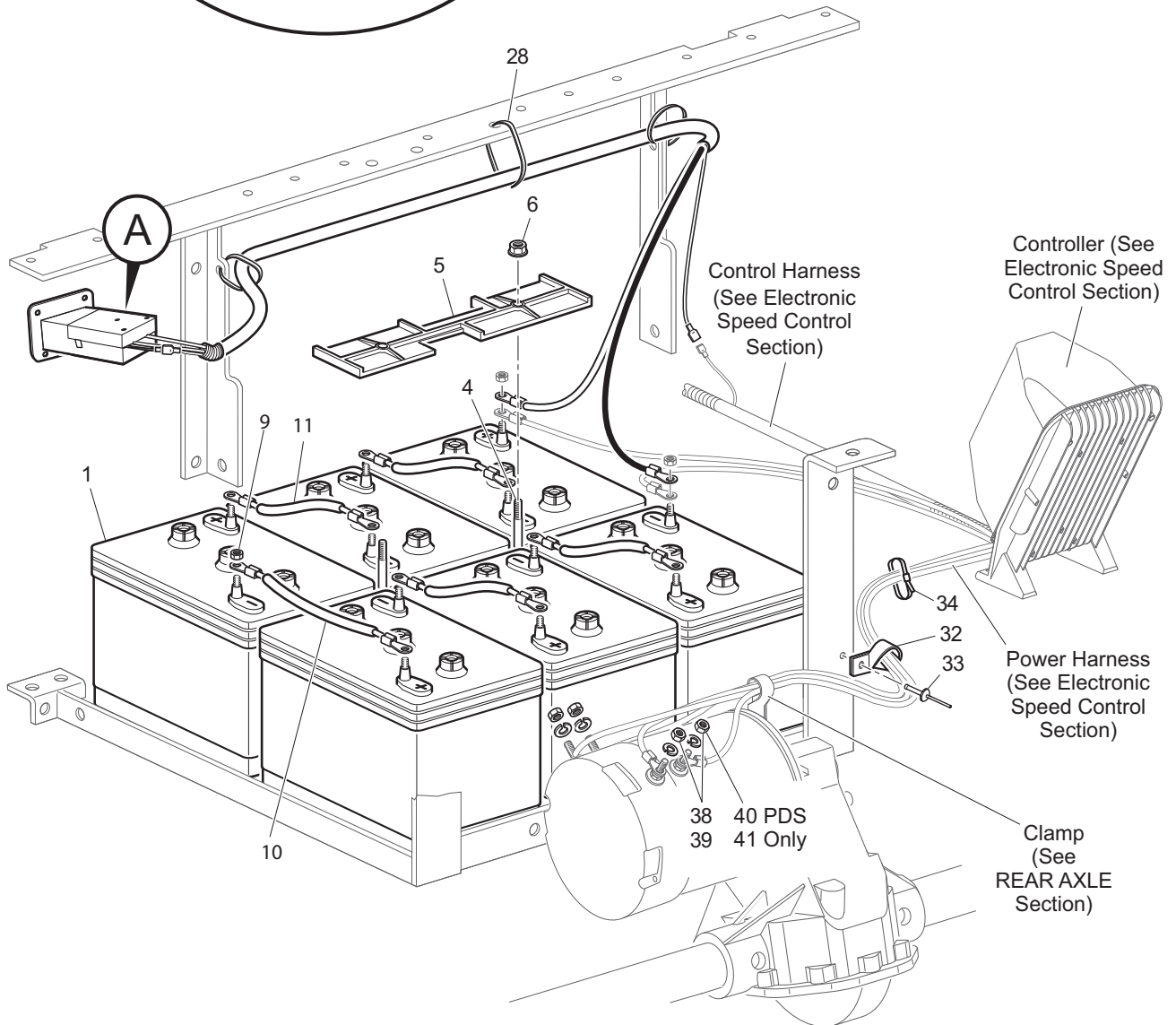
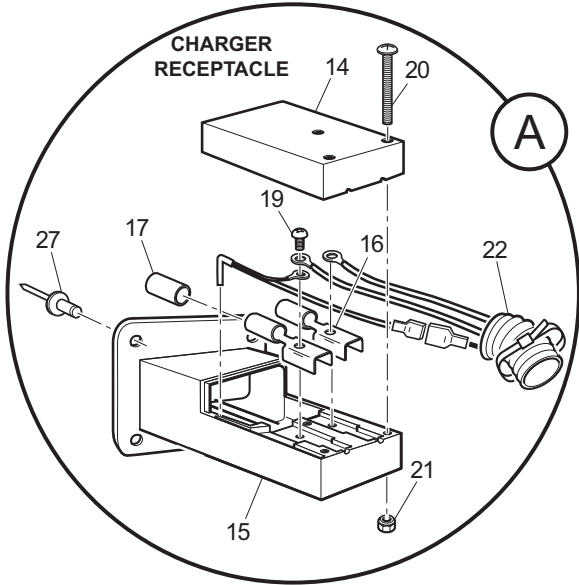
* Indicates a component that is not available as an individual part.

G** Indicates consult Customer Service Department for additional information.

ITEM	PART NO.	1	2	3	4	5	DESCRIPTION	QTY.
31	14390-G1						LOCK NUT, 3/8 - 24.....	1
32	25978-G37						18 GA WIRE (RED 4")	1
33	13514-G1						SCREW.....	4
34	00567-G3						LOCK WASHER, #6	4
35	25978-G343						18 GA WIRE (RED 6")	1
36	00414-G8						SCREW, 1/4-20X1" LG	2
37	00559-G7						WASHER, 1/4	4
38	00565-G7						LOCK WASHER, 1/4"	2
39	00532-G1						NUT, 1/4 - 20	2
40	15461-G1						SUPPORT BRACKET.....	1
41	73031-G02						DIRECTION SELECTOR MOUNTING BRACKET	1
42	73290-G02						REVERSE WARNING BUZZER (CONTINUOUS TONE)	1
43								
44	14651-G1						CONTACT BOARD ASSEMBLY (INCLUDES ITEMS 45 - 50).....	1
45	24940-G1						STOP.....	2
46	00565-G7						LOCK WASHER, 1/4" (STAINLESS STEEL)	2
47	00414-G6						BOLT, 1/4 - 20 X 3/4" LG	2
48	18888-G1						CONTACT STUD, 5/16 - 18	4
49	00565-G8						LOCK WASHER, 5/16".....	4
50	00544-G3						NUT, 5/16 - 18.....	4

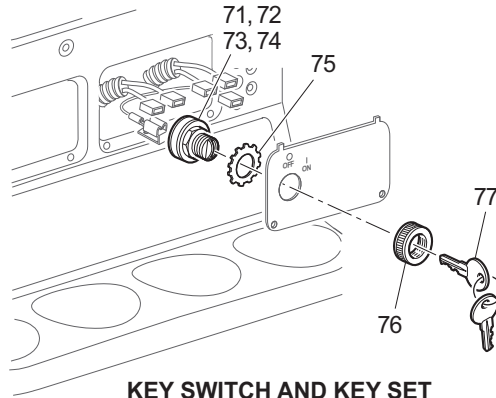
ELECTRICAL SYSTEM - COMMON

13 - Includes Items 14 - 22



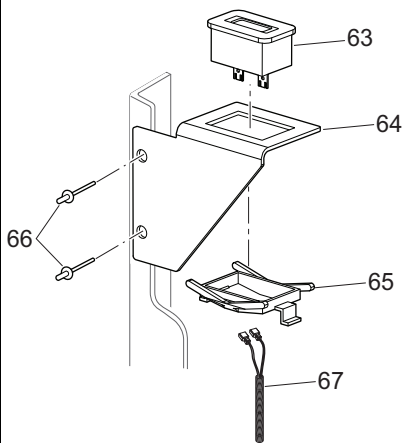
Ref Ele 1-1

ELECTRICAL SYSTEM - COMMON

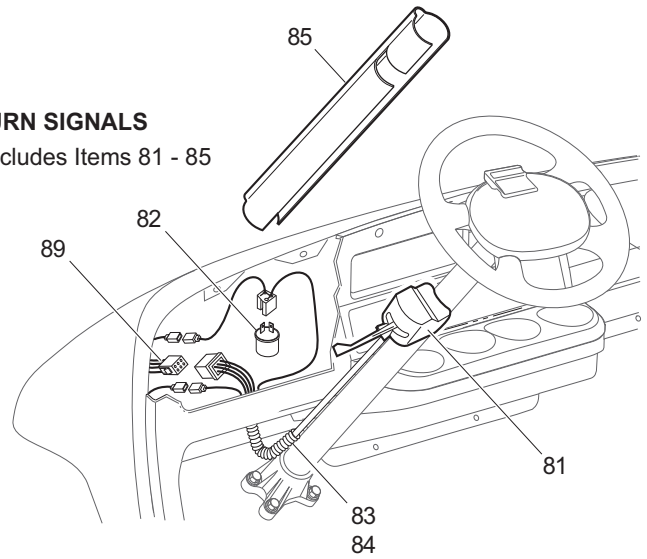


KEY SWITCH AND KEY SET

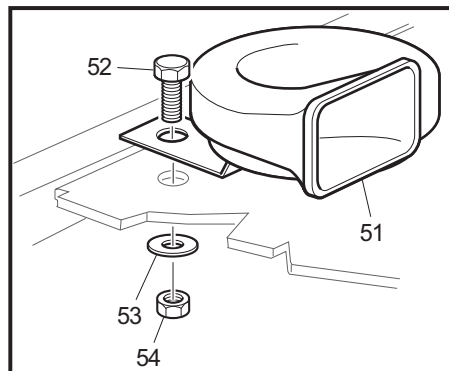
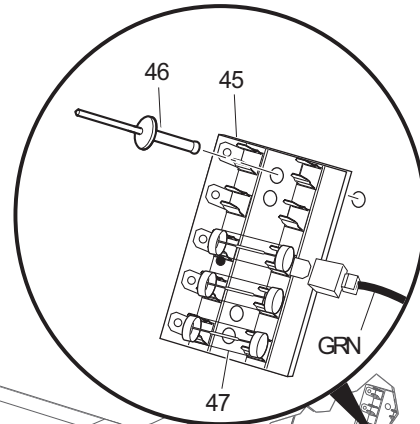
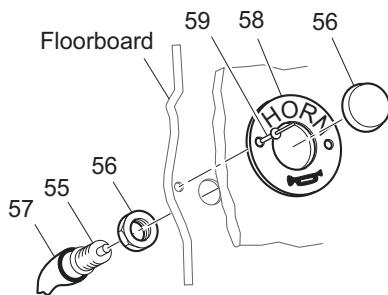
HOUR METER DETAIL
62 - Includes Items 63 - 67



TURN SIGNALS
80 - Includes Items 81 - 85

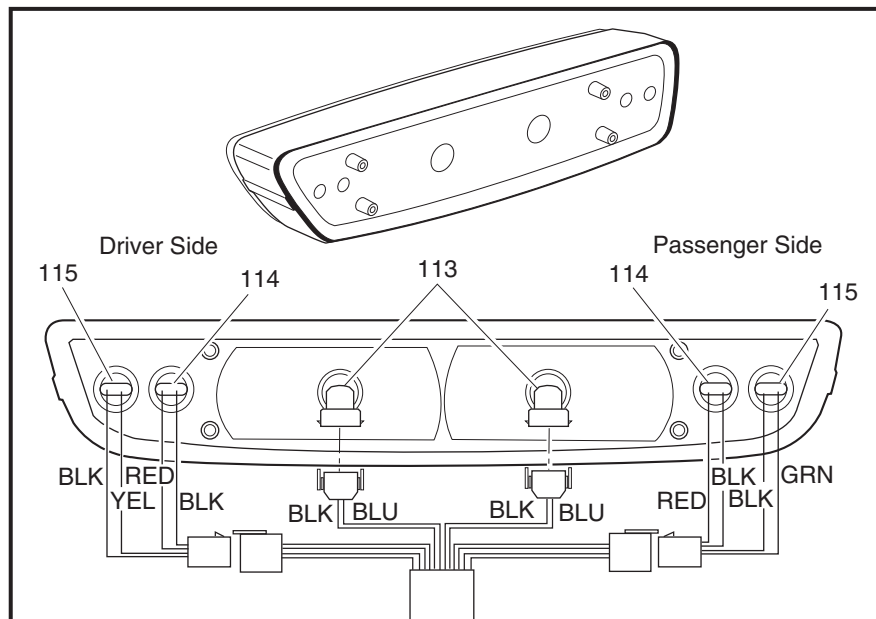
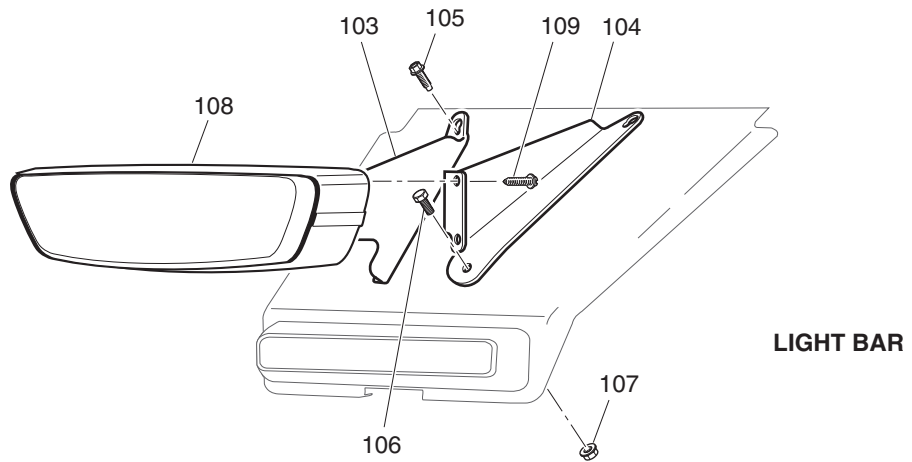
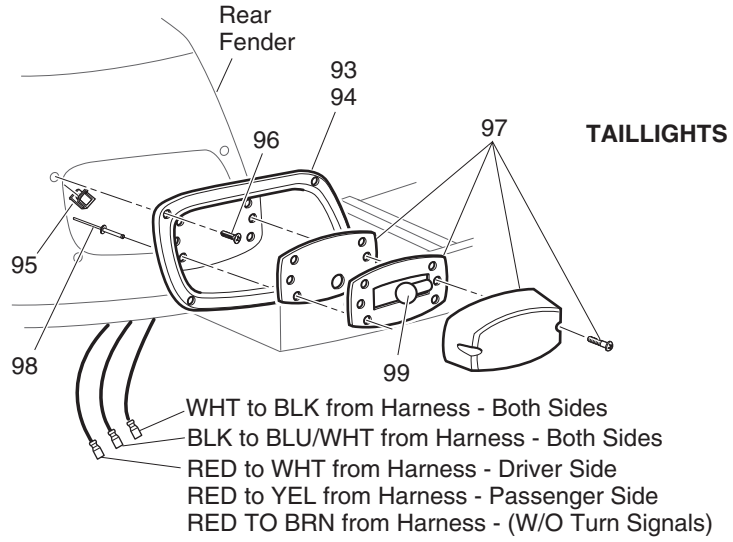


HORN BUTTON



Ref Ele 1-2

ELECTRICAL SYSTEM - COMMON



Ref Ele 1-3

ELECTRICAL SYSTEM - COMMON

Where applicable, THE USE OF NON UL PARTS WILL VOID ANY UL LISTING.
 When ordering parts, please specify the model and serial number of the product.
 * Indicates a component that is not available as an individual part.
 G** Indicates consult Customer Service Department for additional information.

ITEM	PART NO.	1	2	3	4	5	DESCRIPTION	QTY.	
1	XXXXX-GXX	6 VOLT BATTERY							6
2									
3									
4	01101-G01	HOLD DOWN BOLT (STAINLESS STEEL).....							2
5	70045-G01	BATTERY RETAINER							1
6	11027-G1	LOCK NUT, 5/16 - 18							2
7									
8									
9	00702-G2	NUT, 5/16 - 18							12
10	607651	4 GA WIRE, GREEN 10".....							1
11	607590	4 GA WIRE, GREEN 7"							5
12									
13	73063-G01	CHARGER RECEPTACLE ASSEMBLY (INCLUDES ITEMS 14 - 23).....							1
14	*	RECEPTACLE COVER							1
15	*	RECEPTACLE BOTTOM							1
16	73051-G05	FEMALE CONNECTOR							2
17	73051-G06	INSULATOR SLEEVE.....							1
18									
19	73051-G08	SCREW, #10 - 32 X 1/2" LG (BRASS)							2
20	73051-G09	SCREW, #6 - 32 X 1 3/4" LG (STAINLESS STEEL).....							3
21	73051-G10	LOCK NUT, #6 - 32							3
22	*	WIRE HARNESS (CHARGER).....							1
23									
24									
25									
26									
27	71055-G01	RIVET, 3/16" X 1" LG (ALUMINUM).....							4
28	17618-G1	WIRE TIE							3
29									
30									

ELECTRICAL SYSTEM - COMMON

Where applicable, THE USE OF NON UL PARTS WILL VOID ANY UL LISTING.

When ordering parts, please specify the model and serial number of the product.

* Indicates a component that is not available as an individual part.

G** Indicates consult Customer Service Department for additional information.

ITEM	PART NO.	1	2	3	4	5	DESCRIPTION	QTY.
31								
32	27327-G01						CABLE CLAMP	1
33	10570-G11						RIVET, 3/16" X 3/4" LG (STAINLESS STEEL)	1
34	17618-G1						WIRE TIE	11
35								
36								
37								
38	00993-G01						LOCK WASHER, 5/16" (SILICON BRONZE)	AR
39	28418-G01						NUT, 5/16 - 18 (BRASS).....	AR
40	00993-G02						LOCK WASHER, 1/4" (SILICON BRONZE)	2
41	28418-G02						NUT, 1/4 - 20 (BRASS).....	2
42								
43								
44								
45	22674-G1						FUSE BLOCK.....	1
46	01041-G01						RIVET, 1/8" X 13/16" LG	2
47	18392-G1						15 AMP FUSE	AR
48								
49								
50								
51	32860-G1						HORN	1
52	00414-G5						BOLT, 1/4 - 20 X 5/8" LG	1
53	00559-G7						WASHER, 1/4" FL	1
54	14390-G4						LOCK NUT, 1/4 - 20	1
55	17318-G1						HORN SWITCH.....	1
56	17318-G2						HORN SWITCH CAP AND NUT	1
57	27068-G01						HORN SWITCH BOOT	1
58	19233-G1						HORN SWITCH LABEL	1
59	71055-G01						RIVET, 3/16" X 1" LG (ALUMINUM).....	2
60								

ELECTRICAL SYSTEM - COMMON

Where applicable, THE USE OF NON UL PARTS WILL VOID ANY UL LISTING.
 When ordering parts, please specify the model and serial number of the product.
 * Indicates a component that is not available as an individual part.
 G** Indicates consult Customer Service Department for additional information.

ITEM	PART NO.	1	2	3	4	5	DESCRIPTION	QTY.
61								
62	75113-G02						HOUR METER KIT (INCLUDES ITEMS 63 - 67).....	1
63	74665-G02						HOUR METER.....	1
64	74716-G01						HOUR METER BRACKET.....	1
65	74696-G01						RETAINER CLIP.....	1
66	10570-G11						RIVET.....	2
67	75117-G01						WIRE HARNESS (HOUR METER).....	1
68								
69								
70								
71	17421-G1						KEY SWITCH KIT (W/O LIGHTS - STANDARD - WITH HARDWARE).....	1
72	17955-G1						KEY SWITCH (WITHOUT LIGHTS - NON STANDARD).....	1
73	18027-G1						KEY SWITCH (WITHOUT LIGHTS - INDIVIDUALLY KEYED).....	1
74	33639-G**						KEY SWITCH (WITH LIGHTS).....	1
75	00568-G6						LOCK WASHER, 3/4".....	1
76	17137-G1						FACE NUT, 3/4 - 20.....	1
77	17063-G1						KEY (SET).....	1
78								
79								
80	75107-G02						TURN SIGNAL KIT (INCLUDES ITEMS 81 - 85).....	1
81	17867-G1						TURN SIGNAL (WITH MOUNTING HARDWARE).....	1
82	21640-G1						TURN SIGNAL FLASHER.....	1
83	32307-G3						FLEX LOOM, 3/8" X 8" LG.....	1
84	17618-G1						WIRE TIE.....	2
85	20965-G3						STEERING COLUMN COVER.....	1
86								
87								
88								
89	73043-G01						WIRE HARNESS (ACCESSORY).....	1
90								

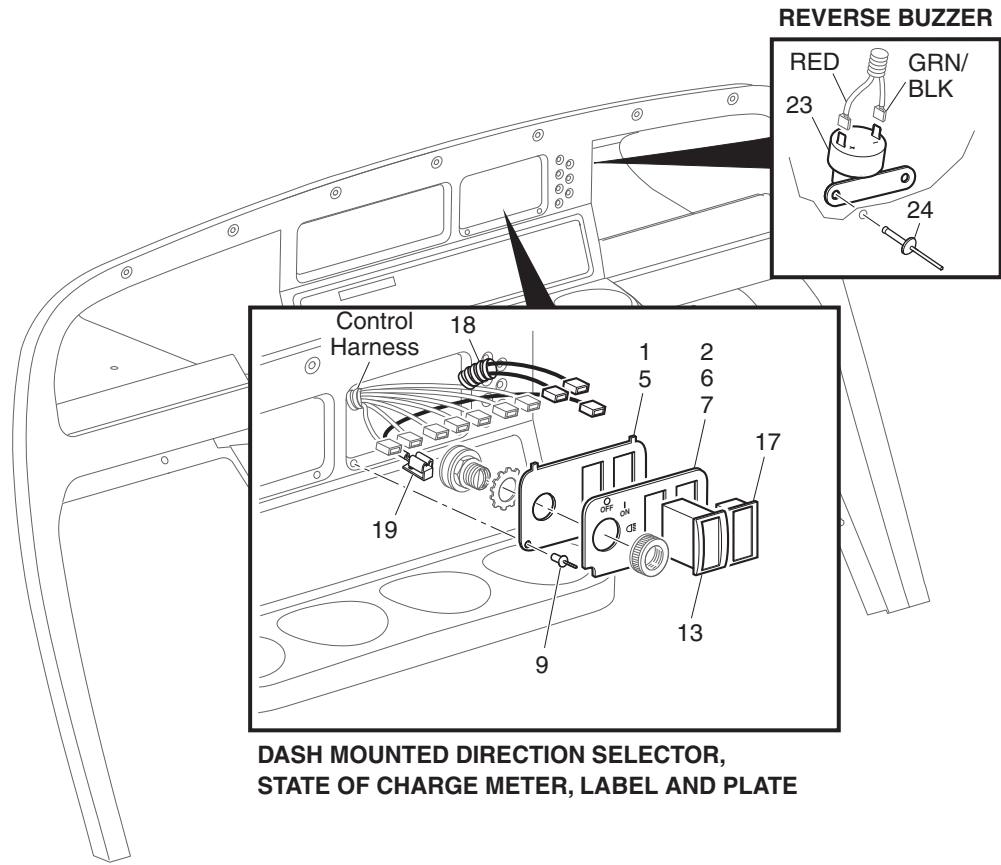
ELECTRICAL SYSTEM - COMMON

Where applicable, THE USE OF NON UL PARTS WILL VOID ANY UL LISTING.
 When ordering parts, please specify the model and serial number of the product.
 * Indicates a component that is not available as an individual part.
 G** Indicates consult Customer Service Department for additional information.

ITEM	PART NO.	1	2	3	4	5	DESCRIPTION	QTY.
91								
92								
93	74371-G01						BEZEL (DRIVER SIDE).....	1
94	74371-G02						BEZEL (PASSENGER SIDE).....	1
95	71364-G02						'J' CLIP	8
96	71425-G01						COUNTERSUNK SCREW, #8	8
97	22288-G2						BRAKE / TAILLIGHT LAMP.....	1
98	14601-G11						RIVET, 3/16" X 9/16" LG (ALUMINUM).....	4
99	21759-G1						TAILLIGHT BULB	AR
100								
101								
102								
103	74236-G03						HEADLIGHT MOUNT BRACKET (PASSENGER SIDE).....	1
104	74236-G04						HEADLIGHT MOUNT BRACKET (DRIVER SIDE)	1
105	01038-G01						BOLT, 1/4 - 20 X 11/16" LG	2
106	00414-G6						BOLT, 1/4 - 20 X 3/4" LG	2
107	11027-G2						LOCK NUT, 1/4 - 20	2
108	74001-G01						HEADLIGHT AND TURN SIGNAL LIGHT	1
109	00114-G6						SCREW, 1/4 - 14 X 3/4" LG.....	4
110								
111								
112								
113	74004-G01						HEAD LIGHT BULB	AR
114	74005-G01						MARKER LIGHT BULB	AR
115	74006-G01						TURN SIGNAL BULB.....	AR

ELECTRICAL SYSTEM - COMMON

ELECTRICAL SYSTEM - PDS



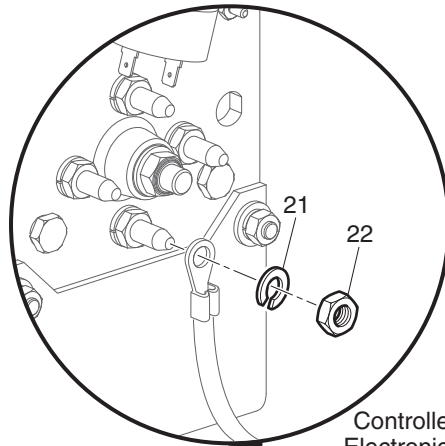
Ref Ele 1-4

ELECTRICAL SYSTEM - PDS

Where applicable, THE USE OF NON UL PARTS WILL VOID ANY UL LISTING.
 When ordering parts, please specify the model and serial number of the product.
 * Indicates a component that is not available as an individual part.
 G** Indicates consult Customer Service Department for additional information.

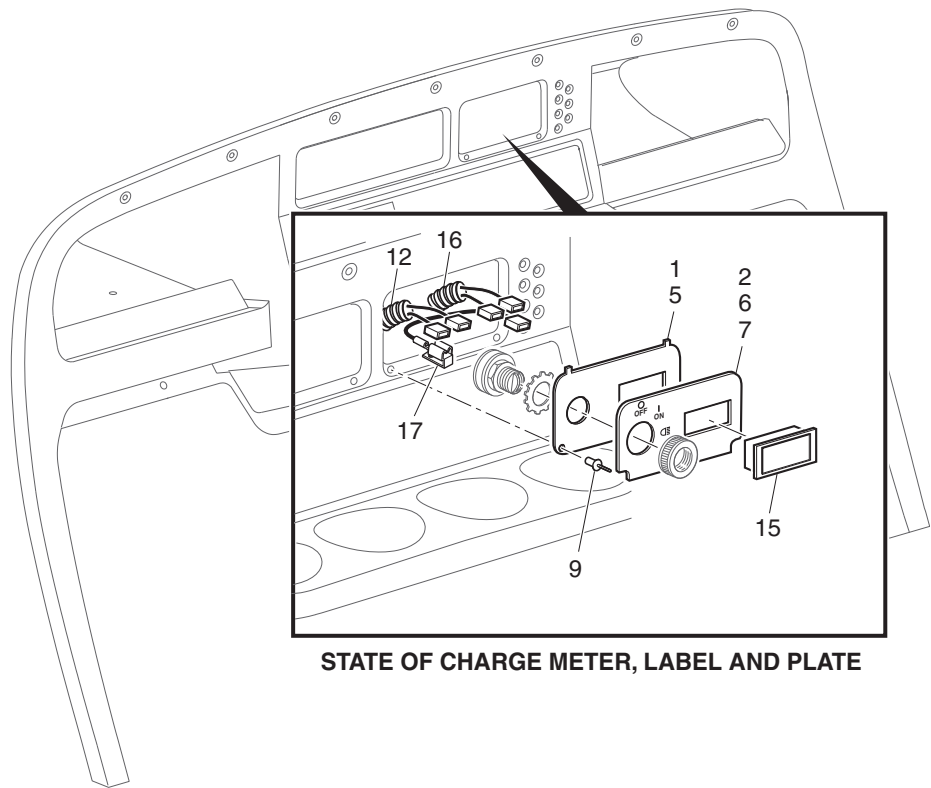
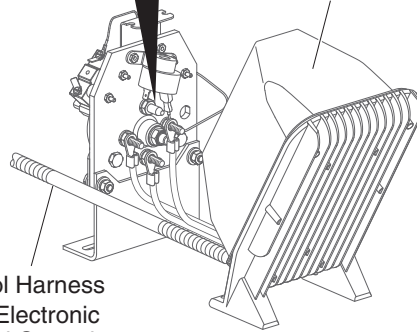
ITEM	PART NO.	1	2	3	4	5	DESCRIPTION	QTY.
1	73030-G05						PLATE (KEY SWITCH, DIRECTION SELECTOR)	1
2	74316-G01						LABEL (KEY SWITCH WITHOUT LIGHTS, DIRECTION SELECTOR).....	1
3								
4								
5	73030-G06						PLATE (KEY SWITCH, DIRECTION SELECTOR, CHARGE METER)	1
6	74320-G01						LABEL (KEY SWITCH WITHOUT LIGHTS, DIRECTION SELECTOR, CHARGE METER)	1
7	74322-G01						LABEL (KEY SWITCH WITH LIGHTS, DIRECTION SELECTOR, CHARGE METER)	1
8								
9	33623-G02						DRIVE RIVET, 3/16" X 3/8" LG	2
10								
11								
12								
13	74323-G01						DIRECTION SELECTOR SWITCH (DASH MOUNTED).....	1
14								
15								
16								
17	33636-G04						STATE OF CHARGE METER (VERTICAL)	1
18	74018-G01						WIRE HARNESS (STATE OF CHARGE METER)	1
19	25978-G74						18 GA WIRE (RED 6").....	1
20								
21								
22								
23	73290-G02						REVERSE WARNING BUZZER (CONTINUOUS TONE)	1
24	01041-G01						RIVET, 1/8" X 13/16" LG	2

ELECTRICAL SYSTEM - SERIES



Controller (See Electronic Speed Control Section)

Control Harness (See Electronic Speed Control Section)



STATE OF CHARGE METER, LABEL AND PLATE

Ref Ele 1-5

ELECTRICAL SYSTEM - SERIES

Where applicable, THE USE OF NON UL PARTS WILL VOID ANY UL LISTING.

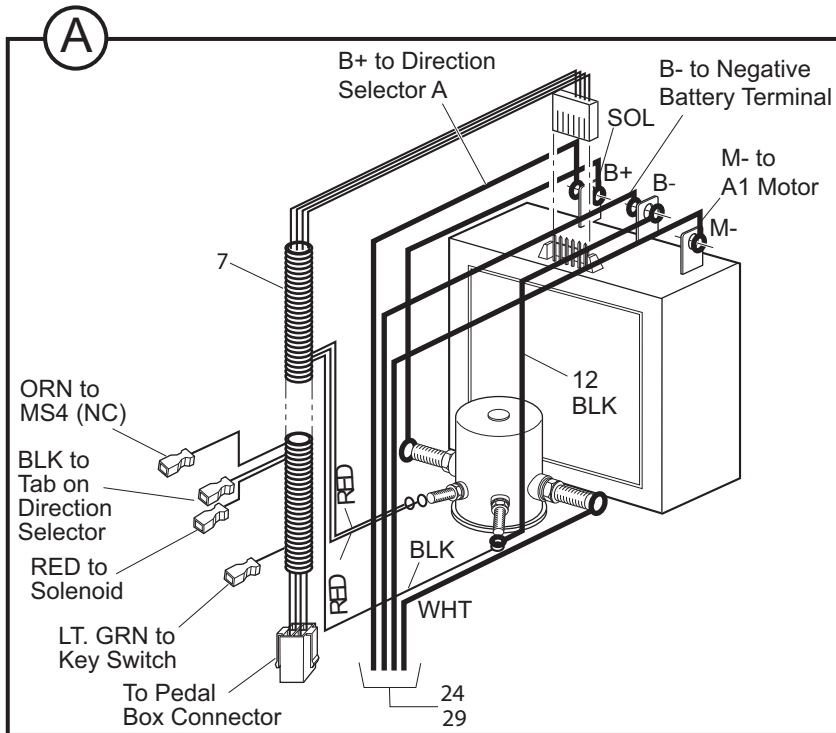
When ordering parts, please specify the model and serial number of the product.

* Indicates a component that is not available as an individual part.

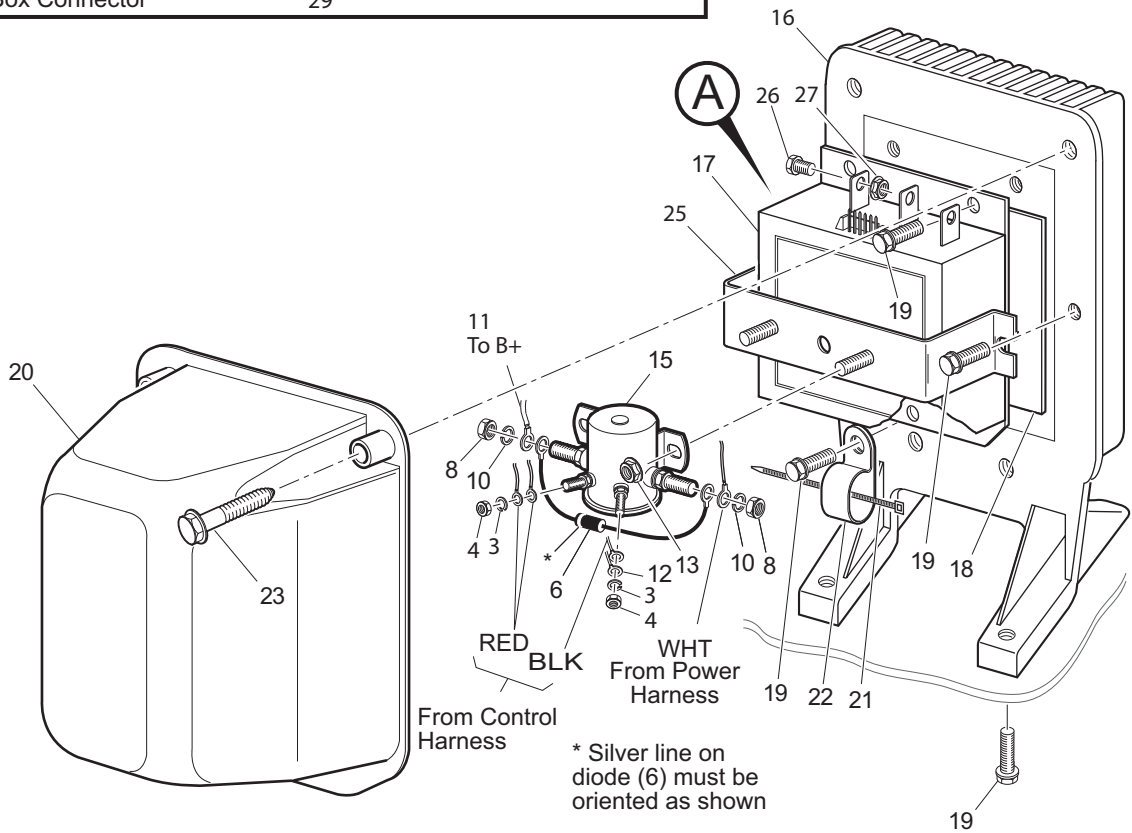
G** Indicates consult Customer Service Department for additional information.

ITEM	PART NO.	1	2	3	4	5	DESCRIPTION	QTY.
1	73030-G01						PLATE (KEY SWITCH ONLY)	1
2	71145-G01						LABEL (KEY SWITCH ONLY)	1
3								
4								
5	73030-G02						PLATE (KEY SWITCH, STATE OF CHARGE METER)	1
6	71123-G02						LABEL (KEY SWITCH W/O LIGHTS, STATE OF CHARGE METER)	1
7	71129-G02						LABEL (KEY SWITCH W/ LIGHTS, STATE OF CHARGE METER)	1
8								
9	33623-G02						DRIVE RIVET, 3/16" X 3/8" LG	2
10								
11								
12	73041-G01						WIRE HARNESS (KEY SWITCH)	1
13								
14								
15	33636-G01						STATE OF CHARGE METER	1
16	74018-G01						WIRE HARNESS (STATE OF CHARGE METER)	1
17	25978-G74						18 GA WIRE (RED 6")	1
18								
19								
20								
21	00565-G8						LOCK WASHER, 5/16"	4
22	00532-G3						NUT, 5/16 - 18	4

ELECTRONIC SPEED CONTROL - SERIES



1 - Includes Items 3-27
 2 - Includes Items 3-10 & 12-29



Ref Esc 1-1

ELECTRONIC SPEED CONTROL - SERIES

Where applicable, THE USE OF NON UL PARTS WILL VOID ANY UL LISTING.

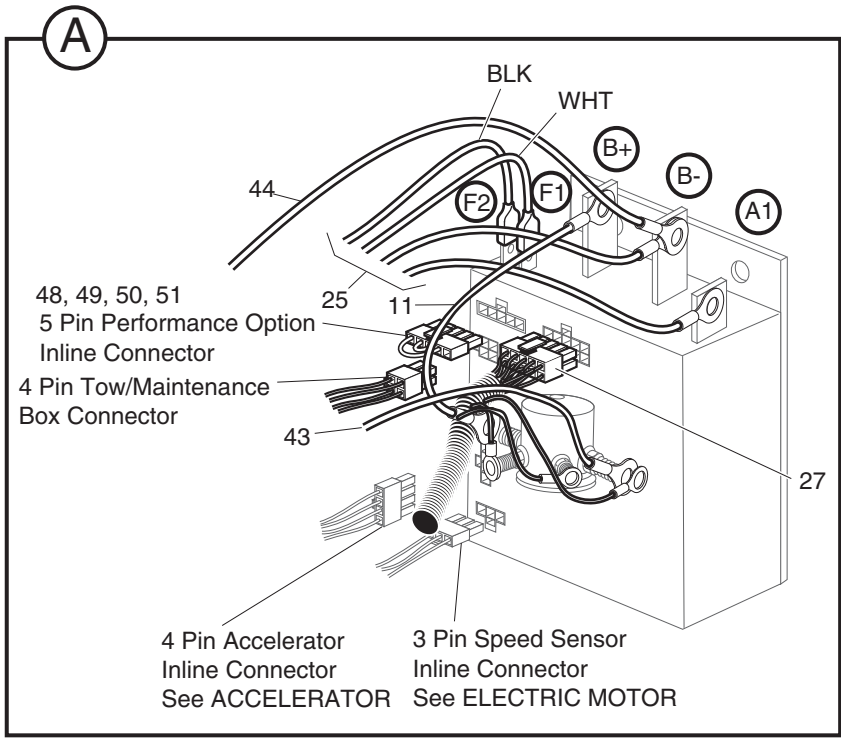
When ordering parts, please specify the model and serial number of the product.

* Indicates a component that is not available as an individual part.

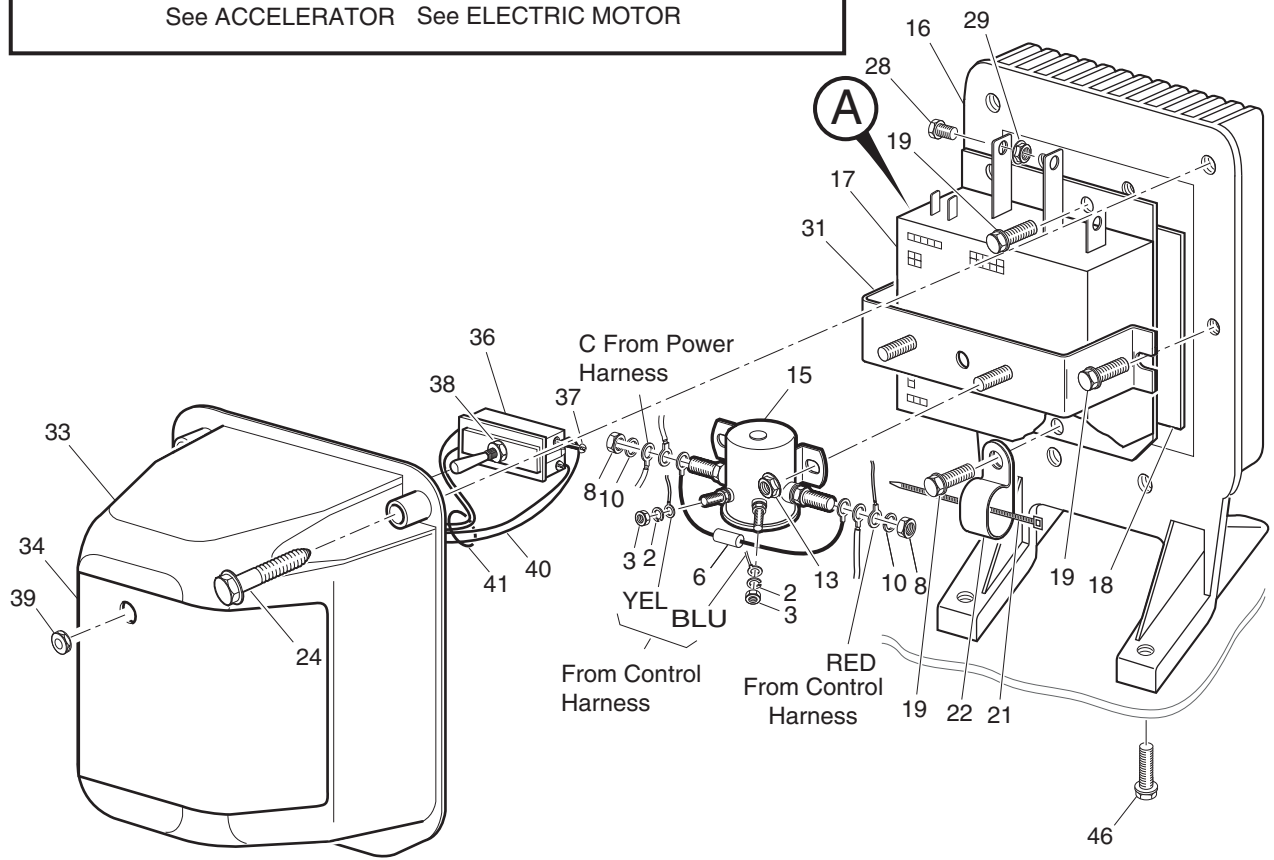
G** Indicates consult Customer Service Department for additional information.

ITEM	PART NO.	1	2	3	4	5	DESCRIPTION	QTY.
1	73056-G04						ELECTRONIC SPEED CONTROL ASSEMBLY (INCLUDES ITEMS 3-27)	1
2	73056-G06						ELECTRONIC SPEED CONTROL-II ASSY (INCLUDES ITEMS 3-10; 12-29).	1
3	*						LOCK WASHER, #10	2
4	*						NUT, 10 - 32	2
5	30353-G1						DIODE, 3 AMP	1
6	21764-G1						RESISTOR.....	1
7	73103-G02						WIRE HARNESS (CONTROL)	1
8	*						NUT, 5/16 - 24.....	2
9								
10	*						LOCK WASHER, 5/16"	2
11	607591						4 GA WIRE, GREEN, 11.5".....	1
12	25978-G10						18 GA WIRE (SOL - B-).....	1
13	800706						LOCK NUT, 1/4 - 20	2
14								
15	27855-G01						SOLENOID, 36 VOLT	1
16	73471-G01						HEATSINK	1
17	25864-G09						ELECTRONIC SPEED CONTROLLER.....	1
18	73190-G01						THERMAL MOUNTING PAD	1
19	71102-G01						BOLT, 1/4 - 20 X 3/4" LG.....	5
20	73028-G01						COVER	1
21	31539-G1						WIRE TIE	1
22	73053-G01						DOUBLE TUBE CLAMP	1
23	71102-G03						BOLT, 1/4 - 20 X 1 3/16" LG.....	3
24	607656						4 GA WIRING HARNESS, GREEN	1
25	25866-G01						SOLENOID BRACKET	1
26	00270-G5						BOLT, 5/16 - 18 X 5/8" LG.....	3
27	11027-G1						LOCK NUT, 5/16 - 18.....	3
28								
29	607656						4 GA WIRING HARNESS, GREEN	1

ELECTRONIC SPEED CONTROL - PDS



- 1 - Includes Items 2 - 44
- 32 - Includes Items 33 - 41
- 36 - Includes Items 37 - 39



Ref Esp 1-1

ELECTRONIC SPEED CONTROL - PDS

Where applicable, THE USE OF NON UL PARTS WILL VOID ANY UL LISTING.

When ordering parts, please specify the model and serial number of the product.

* Indicates a component that is not available as an individual part.

G** Indicates consult Customer Service Department for additional information.

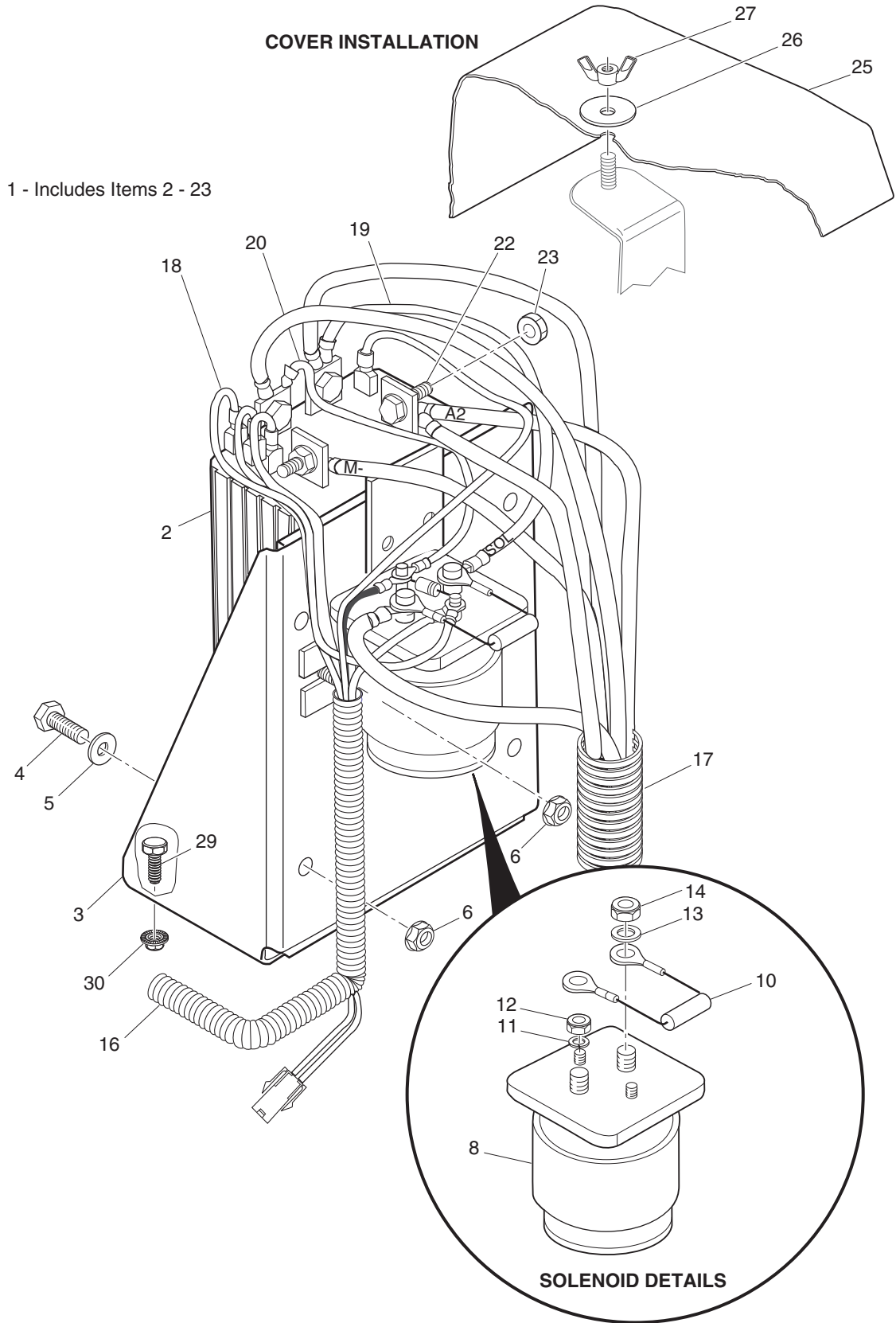
ITEM	PART NO.	1	2	3	4	5	DESCRIPTION	QTY.
1	73276-G02						ELECTRONIC SPEED CONTROL ASSEMBLY (INCLUDES ITEMS 2 - 44).....	1
2	*						LOCK WASHER, #10	2
3	*						NUT, 10 - 32.....	2
4								
5								
6	21764-G1						RESISTOR.....	1
7								
8	*						NUT, 5/16 - 24.....	2
9								
10	*						LOCK WASHER, 5/16"	2
11	607591						4 GA WIRE, GREEN 11.5"	1
12								
13	800706						LOCK NUT, 1/4 - 20	2
14								
15	27855-G01						SOLENOID, 36 VOLT	1
16	73471-G01						HEATSINK	1
17	73326-G07						ELECTRONIC SPEED CONTROLLER	1
18	73190-G01						THERMAL MOUNTING PAD	1
19	71102-G01						BOLT, 1/4 - 20 X 3/4" LG.....	5
20								
21	31539-G1						WIRE TIE	1
22	73053-G01						DOUBLE TUBE CLAMP	1
23								
24	71102-G01						BOLT, 1/4 - 20 X 3/4" LG.....	4
25	73106-G01						WIRE HARNESS (POWER)	1
26								
27	74324-G02						WIRE HARNESS (CONTROL)	1
28	00270-G5						BOLT, 5/16 - 18 X 5/8" LG.....	3
29	11027-G1						LOCK NUT, 5/16 - 18.....	3
30								

ELECTRONIC SPEED CONTROL - PDS

Where applicable, THE USE OF NON UL PARTS WILL VOID ANY UL LISTING.
 When ordering parts, please specify the model and serial number of the product.
 * Indicates a component that is not available as an individual part.
 G** Indicates consult Customer Service Department for additional information.

ITEM	PART NO.	1	2	3	4	5	DESCRIPTION	QTY.
31	25866-G01						SOLENOID BRACKET	1
32	73089-G01						COVER ASSEMBLY (INCLUDES ITEMS 33 - 41)	1
33	73028-G02						COVER (WITH GASKET)	1
34	73093-G01						LABEL (TOW SWITCH)	1
35								
36	73125-G01						TOGGLE SWITCH WITH SEAL (INCLUDES ITEMS 37 - 39)	1
37	*						SCREW, #5 - 40.....	4
38	*						NUT, 15/32 - 32.....	1
39	73139-G01						SEALED NUT, 15/32 - 32.....	1
40	73138-G02						WIRE HARNESS (TOW SWITCH).....	1
41	17618-G1						WIRE TIE	1
42								
43	607592						4 GA WIRE, GREEN 28"	1
44	607593						4 GA WIRE, GREEN 37"	1
45								
46	71102-G01						BOLT, 1/4 - 20 X 3/4" LG	4
47								
48	73272-G01						PERFORMANCE OPTION (FREEDOM) (NOT AVAILABLE FOR FLEET).....	1
49	73272-G02						PERFORMANCE OPTION (STEEP HILL)	1
50	73272-G03						PERFORMANCE OPTION (MILD HILL)	1
51	73272-G04						PERFORMANCE OPTION (ALL TERRAIN)	1

ELECTRONIC SPEED CONTROL - HD



Ref Esh 1

ELECTRONIC SPEED CONTROL - HD

Where applicable, THE USE OF NON UL PARTS WILL VOID ANY UL LISTING.

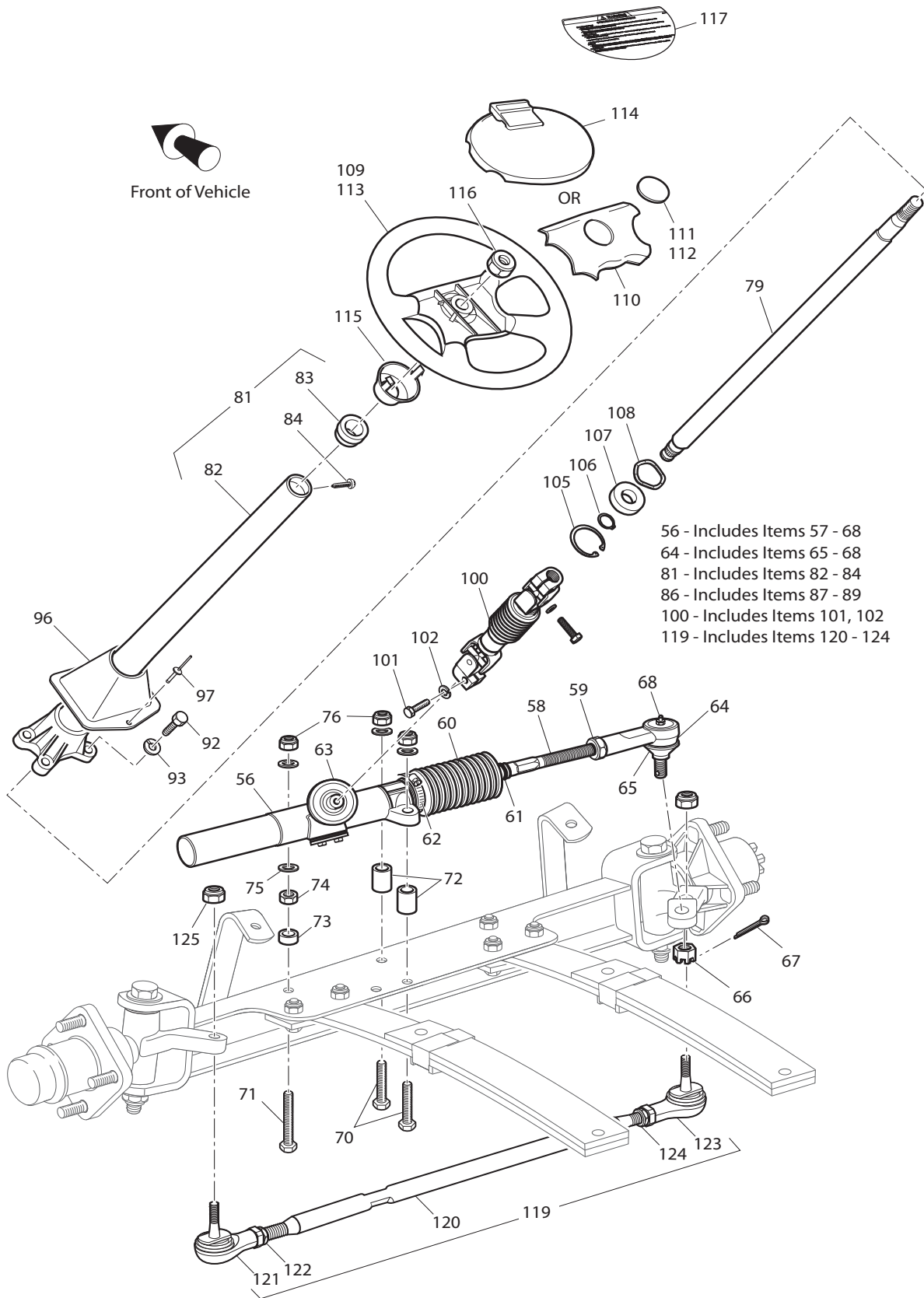
When ordering parts, please specify the model and serial number of the product.

* Indicates a component that is not available as an individual part.

G** Indicates consult Customer Service Department for additional information.

ITEM	PART NO.	1	2	3	4	5	DESCRIPTION	QTY.	
1	73055-G02	ELECTRONIC SPEED CONTROL ASSEMBLY (INCLUDES ITEMS 2 - 23).....							1
2	73060-G05	ELECTRONIC SPEED CONTROLLER							1
3	74014-G02	CONTROLLER MOUNT							1
4	00414-G5	BOLT, 1/4 - 20 X 5/8" LG.....							4
5	00559-G7	WASHER, 1/4"							4
6	11027-G2	LOCK NUT, 1/4 - 20.....							6
7									
8	20468-G1	SOLENOID							1
9									
10	21764-G1	RESISTOR.....							1
11	*	LOCK WASHER, #10							2
12	*	NUT, #10 - 32.....							2
13	*	WASHER, 5/16"							2
14	*	NUT, 5/16 - 24.....							2
15									
16	73095-G04	WIRE HARNESS (CONTROL)							1
17	28325-G01	WIRE HARNESS (POWER)							1
18	25978-G88	18 GA WIRE (RED 9")							1
19	607591	4 GA WIRE, GREEN 11.5".....							1
20	25978-G10	18 GA WIRE(BLK 6", SOL - B-).....							1
21									
22	00438-G6	BOLT, 5/16 - 18 X 3/4" LG.....							4
23	11027-G1	LOCK NUT, 5/16 - 18.....							4
24									
25	23723-G2	COVER.....							1
26	16469-G1	WASHER, 1/4"							1
27	14419-G1	WING NUT, 1/4 - 20							1
28									
29	00414-G5	BOLT, 1/4 - 20 X 5/8" LG							4
30	11027-G2	LOCK NUT, 1/4 - 20							4

FRONT SUSPENSION/STEERING



Ref Fss 1-2

FRONT SUSPENSION/STEERING

Where applicable, THE USE OF NON UL PARTS WILL VOID ANY UL LISTING.
 When ordering parts, please specify the model and serial number of the product.
 * Indicates a component that is not available as an individual part.
 G** Indicates consult Customer Service Department for additional information.

ITEM	PART NO.	1	2	3	4	5	DESCRIPTION	QTY.
1	602513						FRONT AXLE.....	1
2								
3	70942-G01						SPINDLE AND HUB ASSEMBLY, 4 LUG (PASSENGER SIDE) (INCLUDES ITEMS 4 - 10)	1
4	70942-G02						SPINDLE ASSEMBLY (PASSENGER SIDE)	1
5	25146-G1						GREASE SEAL.....	1
6	50892-G1						ROLLER BEARING AND RACE ASSEMBLY	2
7	70895-G01						WHEEL HUB ASSEMBLY WITH RACES, 4 LUG (INCLUDES ITEM 8)	1
8	19862-G1						LUG BOLT, 1/2 - 20 X 1 3/16" LG	4
9	12093-G1						CASTELLATED NUT, 1 - 14	1
10	00798-G8						COTTER PIN, 5/32" X 1 3/4" LG	1
11	12091-G2						SPINDLE CAP	2
12								
13								
14	70673-G01						SPINDLE AND HUB ASSEMBLY, 4 LUG (DRIVER SIDE) (INCLUDES ITEMS 5 - 10, 15)	1
15	70673-G02						SPINDLE ASSEMBLY (DRIVER SIDE).....	1
16								
17								
18	70943-G01						SPINDLE AND HUB ASSEMBLY, 5 LUG (PASSENGER SIDE) (INCLUDES ITEMS 19 - 25)	1
19	70942-G02						SPINDLE ASSEMBLY (PASSENGER SIDE)	1
20	12092-G1						GREASE SEAL.....	1
21	50892-G1						ROLLER BEARING AND RACE ASSEMBLY	2
22	70772-G01						WHEEL HUB ASSEMBLY WITH RACES, 5 LUG (INCLUDES ITEM 23).....	1
23	30143-G1						LUG BOLT, 1/2 - 20 X 1 7/32" LG	5
24	12093-G1						CASTELLATED NUT, 1 - 14	1
25	00798-G8						COTTER PIN, 5/32" X 1 3/4" LG	1
26								
27								
28								

FRONT SUSPENSION/STEERING

Where applicable, THE USE OF NON UL PARTS WILL VOID ANY UL LISTING.

When ordering parts, please specify the model and serial number of the product.

* Indicates a component that is not available as an individual part.

G** Indicates consult Customer Service Department for additional information.

ITEM	PART NO.	1	2	3	4	5	DESCRIPTION	QTY.
29	70797-G01						SPINDLE AND HUB ASSEMBLY, 5 LUG (DRIVER SIDE) (INCLUDES ITEMS 20 - 25, 30)	1
30	70673-G02						SPINDLE ASSEMBLY (DRIVER SIDE)	1
31								
32								
33	00407-G6						BOLT, 1/2 - 13 X 6" LG	2
34	00560-G3						WASHER, 1/2"	4
35	70745-G01						KING PIN TUBE	2
36	70754-G01						THRUST WASHER, 1" (STAINLESS STEEL)	2
37	14390-G6						LOCK NUT, 1/2 - 13	2
38								
39								
40	76419-G01						SHOCK ABSORBER	2
41	70509-G01						SHOCK ABSORBER BOOT	2
42	31539-G1						WIRE TIE	4
43	10435-G1						SHOCK ABSORBER WASHER	8
44	10194-G1						RUBBER BUSHING	8
45	00532-G6						NUT, 3/8 - 24	4
46								
47								
48	70990-G02						LEAF SPRING (SEE PART NUMBER ON SPRING)	2
49	70989-G03						LEAF SPRING (HEAVY DUTY) (SEE PART NUMBER ON SPRING)	2
50	70163-G03						SPRING PLATE	4
51								
52	00734-G1						LOCK NUT, 7/16 - 14	11
53	00463-G11						BOLT, 7/16 - 14 X 1 3/4" LG	11
54								
55								
56	70964-G02						RACK AND PINION UNIT (COMPLETE) (INCLUDES ITEMS 57 - 68)	1
57	*						STEERING BOX INSTALLATION TAG	1

FRONT SUSPENSION/STEERING

Where applicable, THE USE OF NON UL PARTS WILL VOID ANY UL LISTING.

When ordering parts, please specify the model and serial number of the product.

* Indicates a component that is not available as an individual part.

G** Indicates consult Customer Service Department for additional information.

ITEM	PART NO.	1 2 3 4 5	DESCRIPTION	QTY.
58	70694-G01		RACK EXTENSION	1
59	*		JAM NUT, 1/2 - 20.....	1
60	70961-G01		RACK BOOT	1
61	12416-G2		WIRE TIE	1
62	11391-G8		CLAMP, 1 13/16 - 2 3/8".....	1
63	70638-G01		PINION SEAL	1
64	70695-G01		RACK BALL JOINT (INCLUDES ITEMS 65 - 68)	1
65	50641-G1		RUBBER BOOT	1
66	50209-G2		CASTELLATED NUT, 7/16 - 20	1
67	10387-G2		COTTER PIN, 3/32" X 1" LG	1
68	10389-G3		GREASE FITTING, STRAIGHT.....	1
69				
70	00464-G6		BOLT, 7/16 - 14 X 2 3/4" LG	2
71	01068-G01		BOLT, 7/16 - 14 X 3 1/2" LG	1
72	70667-G02		SPACER	2
73	70667-G03		SPACER (SHORT).....	1
74	00532-G7		NUT, 7/16 - 14	1
75	00560-G2		FLAT WASHER, 7/16"	4
76	00734-G1		LOCK NUT, 7/16 - 14	3
77				
78				
79	70607-G01		STEERING SHAFT	1
80				
81	70758-G05		STEERING COLUMN KIT (INCLUDES ITEMS 82 - 84)	1
82	70610-G03		STEERING COLUMN	1
83	28569-G01		STEERING COLUMN BUSHING.....	1
84	01022-G01		SCREW, #6 - 20 X 5/16" LG	1
85				
86				
87				

FRONT SUSPENSION/STEERING

Where applicable, THE USE OF NON UL PARTS WILL VOID ANY UL LISTING.

When ordering parts, please specify the model and serial number of the product.

* Indicates a component that is not available as an individual part.

G** Indicates consult Customer Service Department for additional information.

ITEM	PART NO.	1	2	3	4	5	DESCRIPTION	QTY.
88								
89								
90								
91								
92	01006-G01						BOLT, 3/8 - 16 X 1 1/4" LG	4
93	00879-G1						LOCK WASHER, 3/8"	4
94								
95								
96	70997-G01						COVER.....	1
97	71055-G01						RIVET, 3/16" X 1" LG (ALUMINUM)	1
98								
99								
100	70580-G01						INTERMEDIATE SHAFT (INCLUDES ITEMS 101, 102).....	1
101	01055-G01						BOLT, M8 X 1.25 - 05 LG	2
102	00565-G8						LOCK WASHER, 5/16"	2
103								
104								
105	70751-G01						RETAINING RING (INTERNAL)	1
106	70888-G01						RETAINING RING (EXTERNAL).....	1
107	15112-G1						BALL BEARING	1
108	70887-G01						WAVE WASHER.....	1
109	71146-G01						STEERING WHEEL	1
110	71147-G01						STEERING WHEEL COVER	1
111	71047-G01						LABEL (E-Z-GO)	1
112	74405-G01						LABEL (CUSHMAN).....	1
113	602979						STEERING WHEEL	1
114	607925						CLIPBOARD.....	1
115	71949-G01						HUB COVER	1
116	14390-G2						LOCK NUT, 5/8 - 18	1
117	608529						WARNING LABEL	1

FRONT SUSPENSION/STEERING

Where applicable, THE USE OF NON UL PARTS WILL VOID ANY UL LISTING.

When ordering parts, please specify the model and serial number of the product.

* Indicates a component that is not available as an individual part.

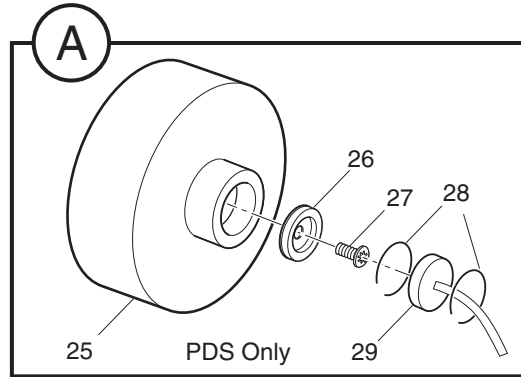
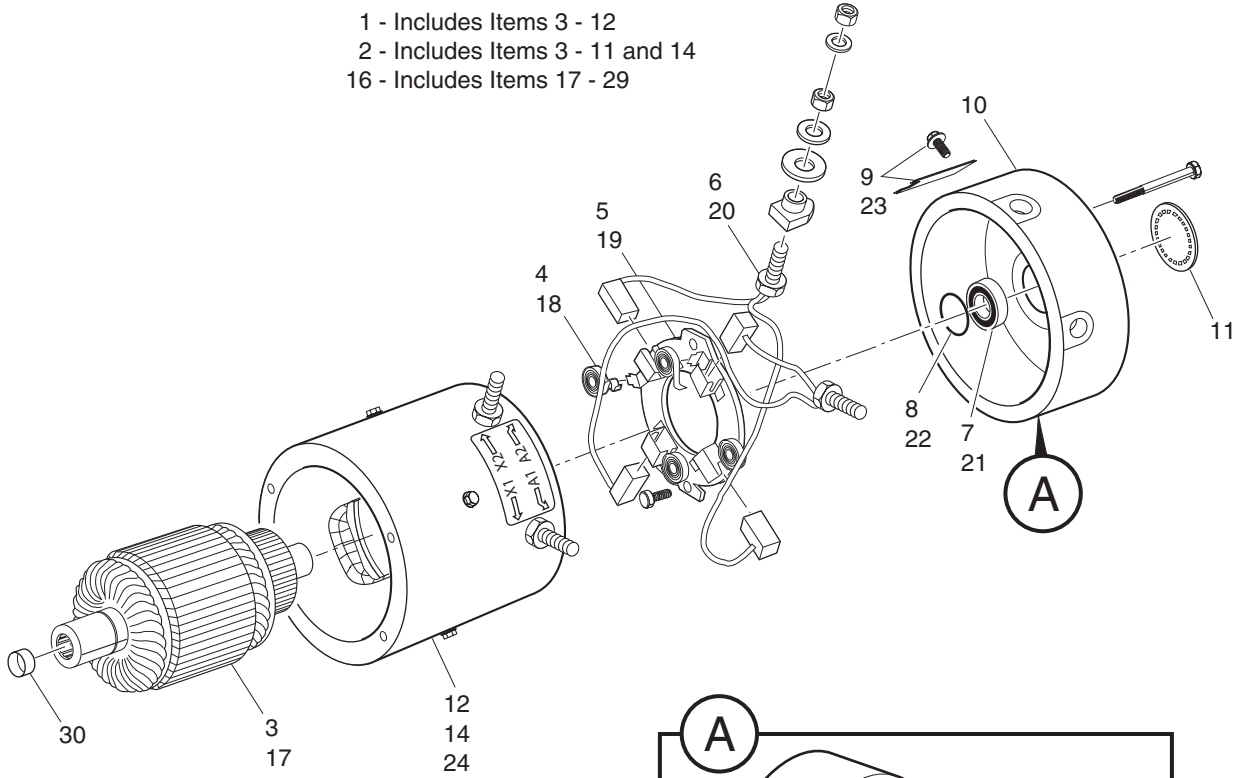
G** Indicates consult Customer Service Department for additional information.

ITEM	PART NO.	1	2	3	4	5	DESCRIPTION	QTY.
118								
119	70876-G02						TIE ROD ASSEMBLY (INCLUDES ITEMS 120 - 124)	1
120	70897-G02						THREADED ROD (24" LG)	1
121	70902-G01						TIE ROD END (LEFT HAND THREADS)	1
122	01069-G01						JAM NUT, M12 X 1.25 - 05 (LEFT HAND THREADS).....	1
123	70902-G02						TIE ROD END (RIGHT HAND THREADS).....	1
124	01069-G02						JAM NUT, M12 X 1.25 - 05 (RIGHT HAND THREADS)	1
125	00734-G1						LOCK NUT, 7/16 - 14	2

FRONT SUSPENSION/STEERING

MOTOR

- 1 - Includes Items 3 - 12
- 2 - Includes Items 3 - 11 and 14
- 16 - Includes Items 17 - 29



Ref Mtr 1

MOTOR

Where applicable, THE USE OF NON UL PARTS WILL VOID ANY UL LISTING.

When ordering parts, please specify the model and serial number of the product.

* Indicates a component that is not available as an individual part.

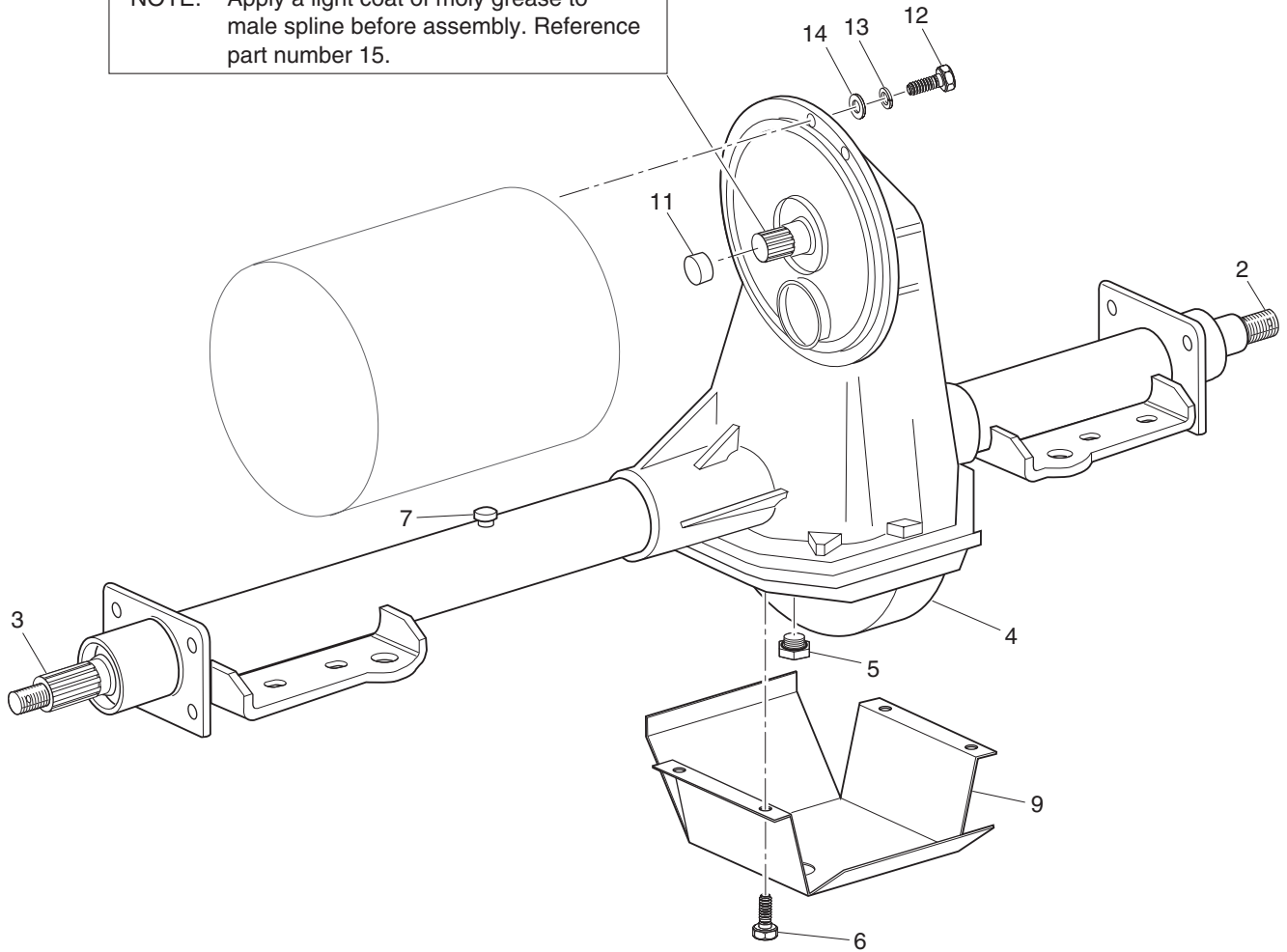
G** Indicates consult Customer Service Department for additional information.

ITEM	PART NO.	1	2	3	4	5	DESCRIPTION	QTY.
1	73124-G02						MOTOR (SERIES, FLEET SPEED) (INCLUDES ITEMS 3 - 12)	1
2	73124-G03						MOTOR (SERIES, HIGH SPEED) (INCLUDES ITEMS 3 - 11, 14)	1
3	73120-G01						ARMATURE	1
4	73120-G03						BRUSH SPRING.....	4
5	73120-G15						BRUSH PLATE AND BOX.....	1
6	73120-G25						BRUSH REPLACEMENT KIT (INCLUDES HARDWARE)	1
7	73120-G07						BEARING	1
8	73120-G06						SNAP RING	1
9	73120-G09						COVER PLATE AND SCREW.....	1
10	73120-G08						COMMUTATOR END HOUSING	1
11	73120-G16						CAP.....	1
12	73120-G29						FRAME AND FIELD COIL (G02 MOTOR) (INCLUDES HARDWARE)	1
13								
14	73120-G30						FRAME AND FIELD COIL (G03 MOTOR) (INCLUDES HARDWARE)	1
15								
16	73124-G08						MOTOR (SEPARATELY EXCITED) (PDS) (INCLUDES ITEMS 17 - 29)	1
17	73120-G18						ARMATURE.....	1
18	73120-G03						BRUSH SPRING.....	4
19	73120-G15						BRUSH PLATE AND BOX.....	1
20	73120-G25						BRUSH REPLACEMENT KIT (INCLUDES HARDWARE)	1
21	73120-G07						BEARING.....	1
22	73120-G06						SNAP RING	1
23	73120-G09						COVER PLATE AND SCREW.....	1
24	73120-G31						FRAME AND FIELD COIL (INCLUDES HARDWARE).....	1
25	73120-G19						COMMUTATOR END HOUSING	1
26	73328-G01						MAGNET.....	1
27	01037-G02						SCREW, #10 - 32 X 1/2" LG.....	1
28	73277-G01						RETAINING RING	2
29	73327-G01						SPEED SENSOR.....	1
30	24261-G1						SPLINE BUMPER	1

REAR AXLE

1 - Includes Items 2 - 7

NOTE: Apply a light coat of moly grease to male spline before assembly. Reference part number 15.



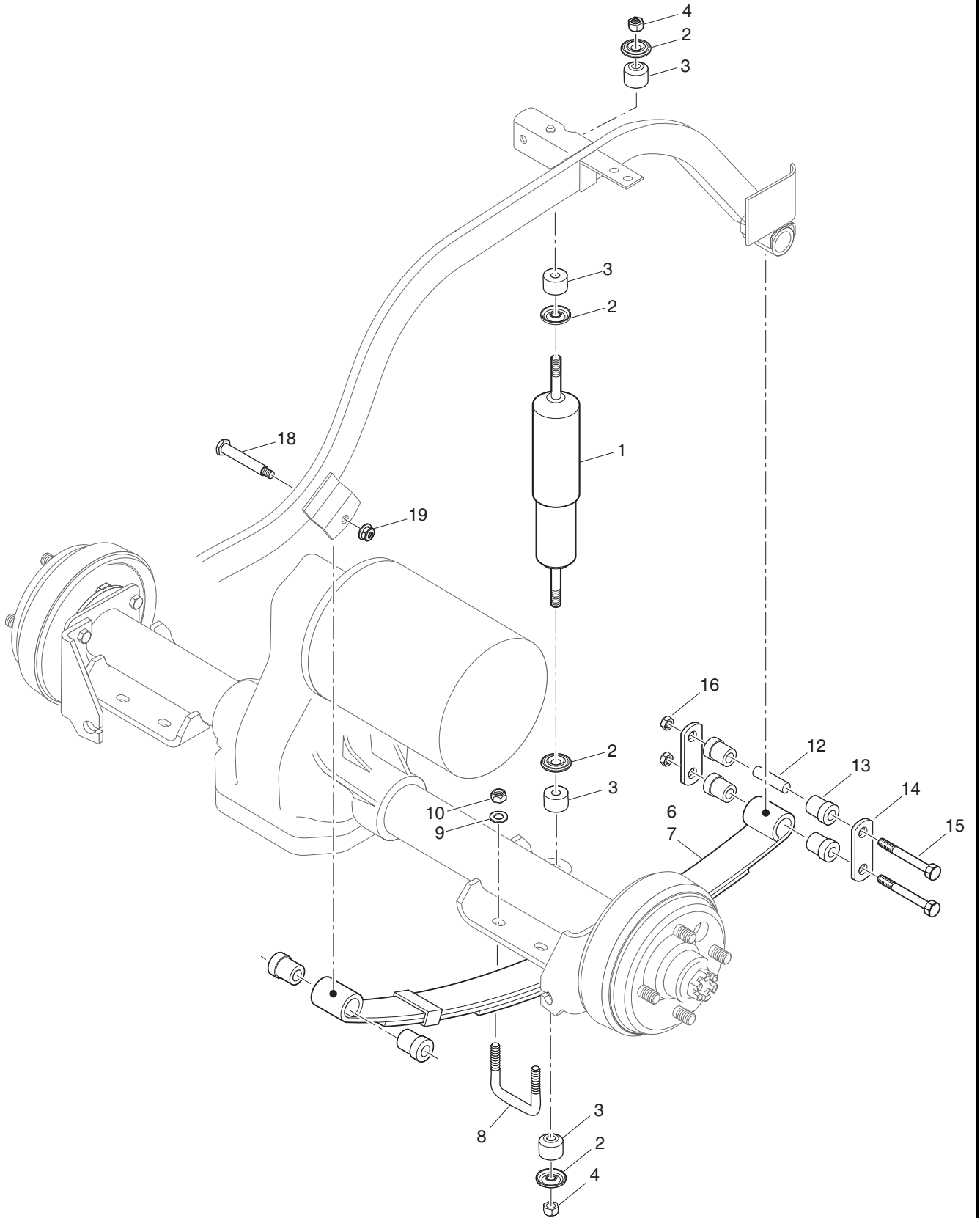
Ref Rax 1

REAR AXLE

Where applicable, THE USE OF NON UL PARTS WILL VOID ANY UL LISTING.
 When ordering parts, please specify the model and serial number of the product.
 * Indicates a component that is not available as an individual part.
 G** Indicates consult Customer Service Department for additional information.

ITEM	PART NO.	1	2	3	4	5	DESCRIPTION	QTY.
1	73500-G01						REAR AXLE ASSEMBLY (INCLUDES ITEMS 2 - 7)	1
2	20377-G12						AXLE SHAFT (PASSENGER SIDE).....	1
3	20377-G11						AXLE SHAFT (DRIVER SIDE).....	1
4	*						DIFFERENTIAL COVER.....	1
5	28610-G01						FILL PLUG WITH 'O' RING.....	1
6	15558-G1						BOLT, 5/16 - 18 X 3/4" LG.....	10
7	73050-G01						VENT	1
8								
9	72763-G01						SCUFF GUARD	1
10								
11	XXXXX-XXX						SPLINE BUMPER (SEE ELECTRIC MOTOR)	1
12	00797-G2						BOLT, 1/4 - 20 X 1 1/4" LG	3
13	00565-G7						LOCK WASHER, 1/4"	3
14	00559-G7						WASHER FLAT, 1/4"	3
15	28095-G01						MOLY LUBE, 2 OZ.....	AR

REAR SUSPENSION



Ref Rsp 1

REAR SUSPENSION

Where applicable, THE USE OF NON UL PARTS WILL VOID ANY UL LISTING.

When ordering parts, please specify the model and serial number of the product.

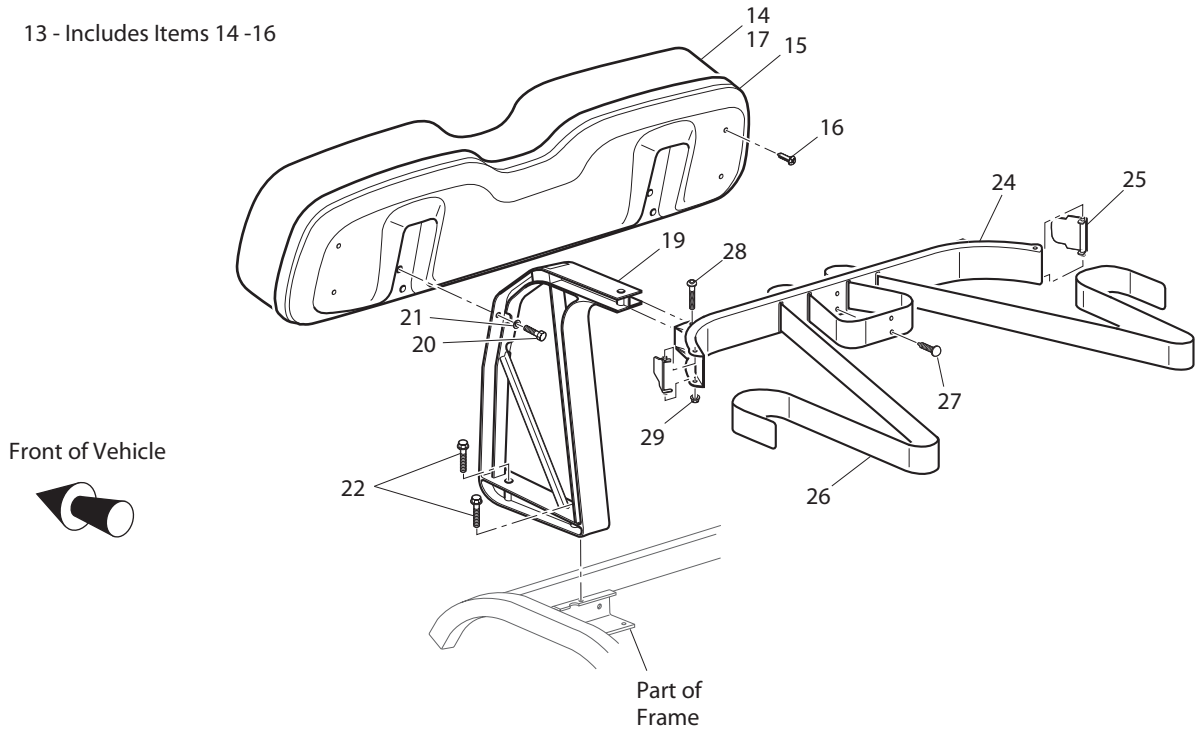
* Indicates a component that is not available as an individual part.

G** Indicates consult Customer Service Department for additional information.

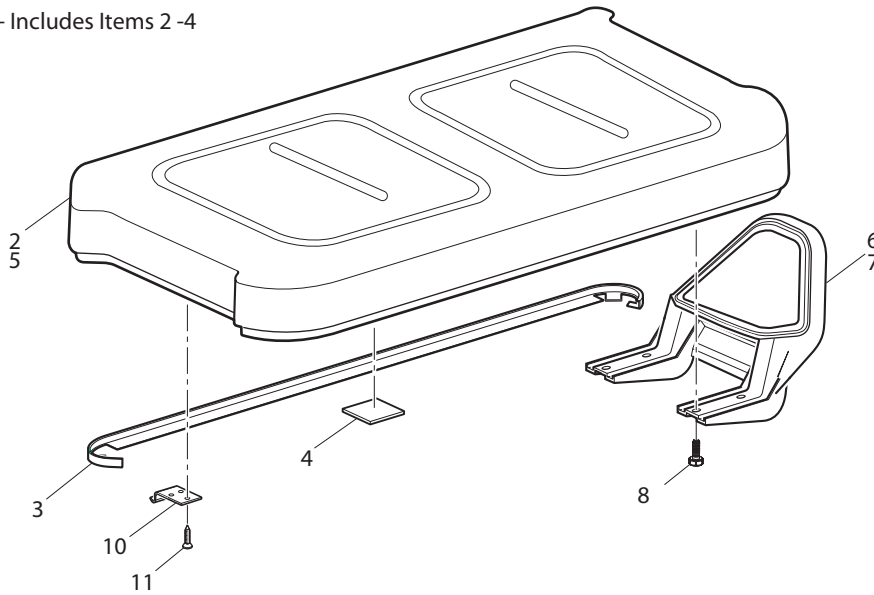
ITEM	PART NO.	1 2 3 4 5	DESCRIPTION	QTY.
1	76418-G01		SHOCK ABSORBER.....	2
2	10435-G1		SHOCK ABSORBER WASHER.....	8
3	10194-G1		RUBBER BUSHING.....	8
4	00532-G6		NUT, 3/8 - 24.....	4
5				
6	603109		REAR LEAF SPRINGS (REPLACE LEFT & RIGHT SPRINGS SIMULTANEOUSLY)	2
7	74207-G01		LEAF SPRING, 4 LEAF.....	2
8	72618-G01		'U' BOLT, 3/8 - 16 X 2" X 2 1/2" LG.....	4
9	00560-G1		WASHER, 3/8".....	8
10	11098-G5		LOCK NUT, 3/8 - 16.....	8
11				
12	70289-G02		SPACER.....	4
13	70291-G01		FLANGED BUSHING (LEAF SPRING).....	12
14	70290-G02		SHACKLE PLATE.....	4
15	00665-G9		BOLT, 3/8 - 16 X 3 1/2" LG (STAINLESS STEEL).....	4
16	11098-G5		LOCK NUT, 3/8 - 16.....	4
17				
18	14158-G1		SHOULDER BOLT, 3/8 - 16 X 3 1/4" LG.....	2
19	12262-G1		LOCK NUT, 3/8 - 16.....	2

SEATING AND BAG HOLDER - GOLF CAR

13 - Includes Items 14 -16



1 - Includes Items 2 -4



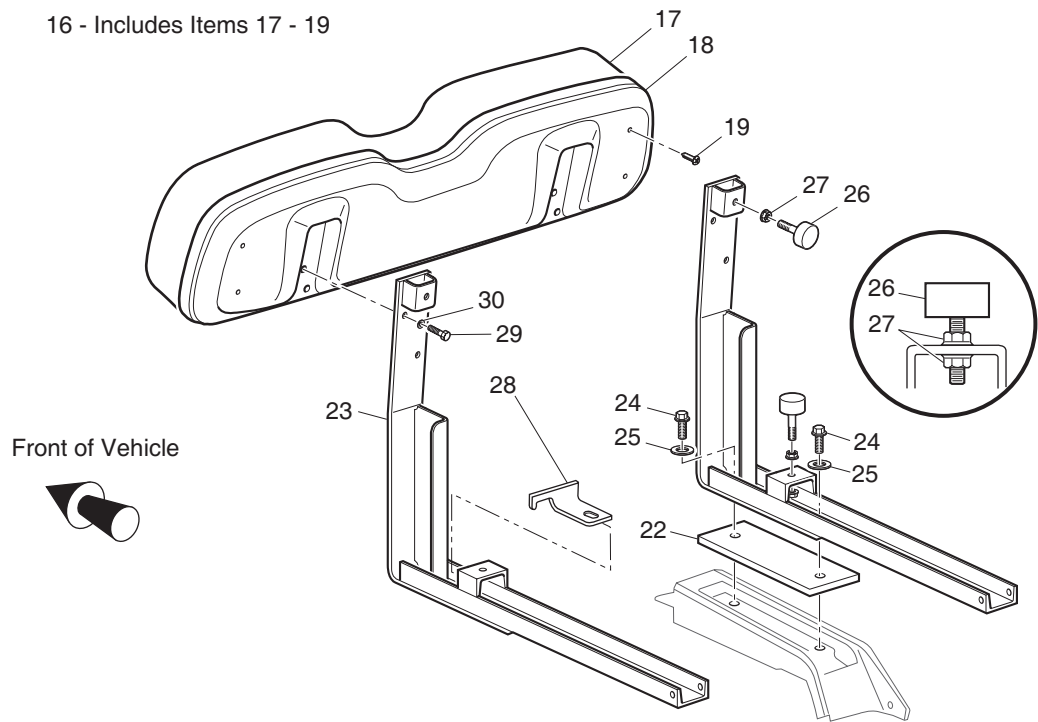
Ref Sgc 1

SEATING AND BAG HOLDER - GOLF CAR

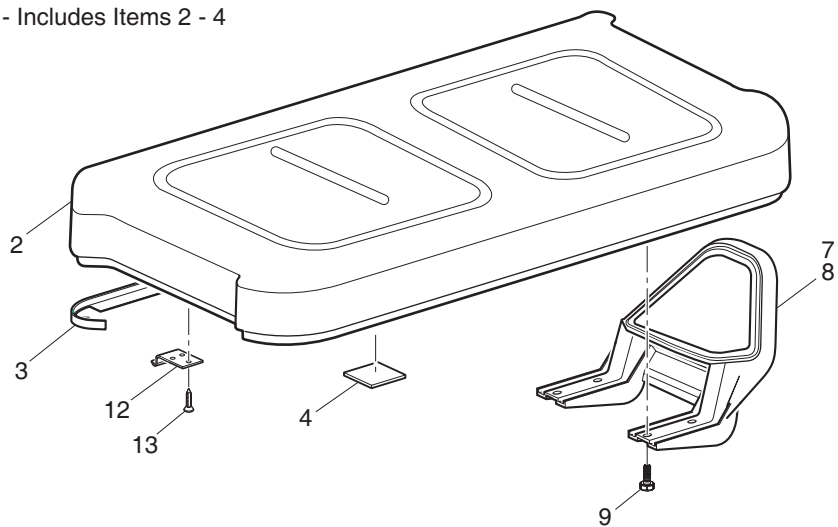
Where applicable, THE USE OF NON UL PARTS WILL VOID ANY UL LISTING.
 When ordering parts, please specify the model and serial number of the product.
 * Indicates a component that is not available as an individual part.
 G** Indicates consult Customer Service Department for additional information.

ITEM	PART NO.	1	2	3	4	5	DESCRIPTION	QTY.
1	71611-G**						SEAT BOTTOM ASSEMBLY (INCLUDES ITEMS 2 - 4)	1
2	71602-G**						VINYL SEAT BOTTOM COVER	1
3	71012-G01						VINYL TRIM (SEAT BOTTOM).....	1
4	17074-G1						RUBBER PAD.....	2
5	604912-G**						TWO TONE VINYL SEAT BOTTOM	1
6	71701-G01						HIP RESTRAINT (PASSENGER SIDE).....	1
7	71702-G01						HIP RESTRAINT (DRIVER SIDE).....	1
8	71204-G01						BOLT, 1/4 - 20 X 7/8" LG	8
9								
10	71610-G01						SEAT HINGE.....	2
11	00720-G08						SCREW, #12 - 14 X 1" LG (STAINLESS STEEL)	4
12								
13	71751-G**						SEAT BACK ASSEMBLY (INCLUDES ITEMS 14 - 16).....	1
14	71753-G**						VINYL SEAT BACK COVER	1
15	71752-G01						PLASTIC SEAT BACK COVER	1
16	01107-G01						SCREW, #8 X 5/8" LG (STAINLESS STEEL).....	4
17	604916-G**						TWO TONE VINYL SEAT BACK.....	1
18								
19	71811-G03						SEAT SUPPORT BRACKET	2
20	00661-G8						BOLT, 1/4 - 20 X 1" LG (STAINLESS STEEL).....	4
21	00664-G7						LOCK WASHER, 1/4" (STAINLESS STEEL)	4
22	01075-G01						SCREW, 3/8 - 16 X 2 1/2" LG.....	4
23								
24	71851-G01						BAG HOLDER BRACKET	1
25	71856-G01						BAG RETAINER CLAMP.....	2
26	71853-G01						BAG RETAINER STRAP	1
27	16816-G1						RATCHET FASTENER, 1/4" X 9/16" LG	2
28	01102-G01						CARRIAGE BOLT, 1/4 - 20 X 1 1/2" LG (STAINLESS STEEL).....	2
29	11027-G2						LOCK NUT, 1/4 - 20	2

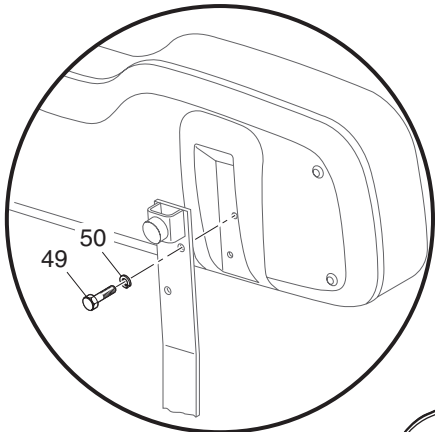
SEATING - SHUTTLE 2+2



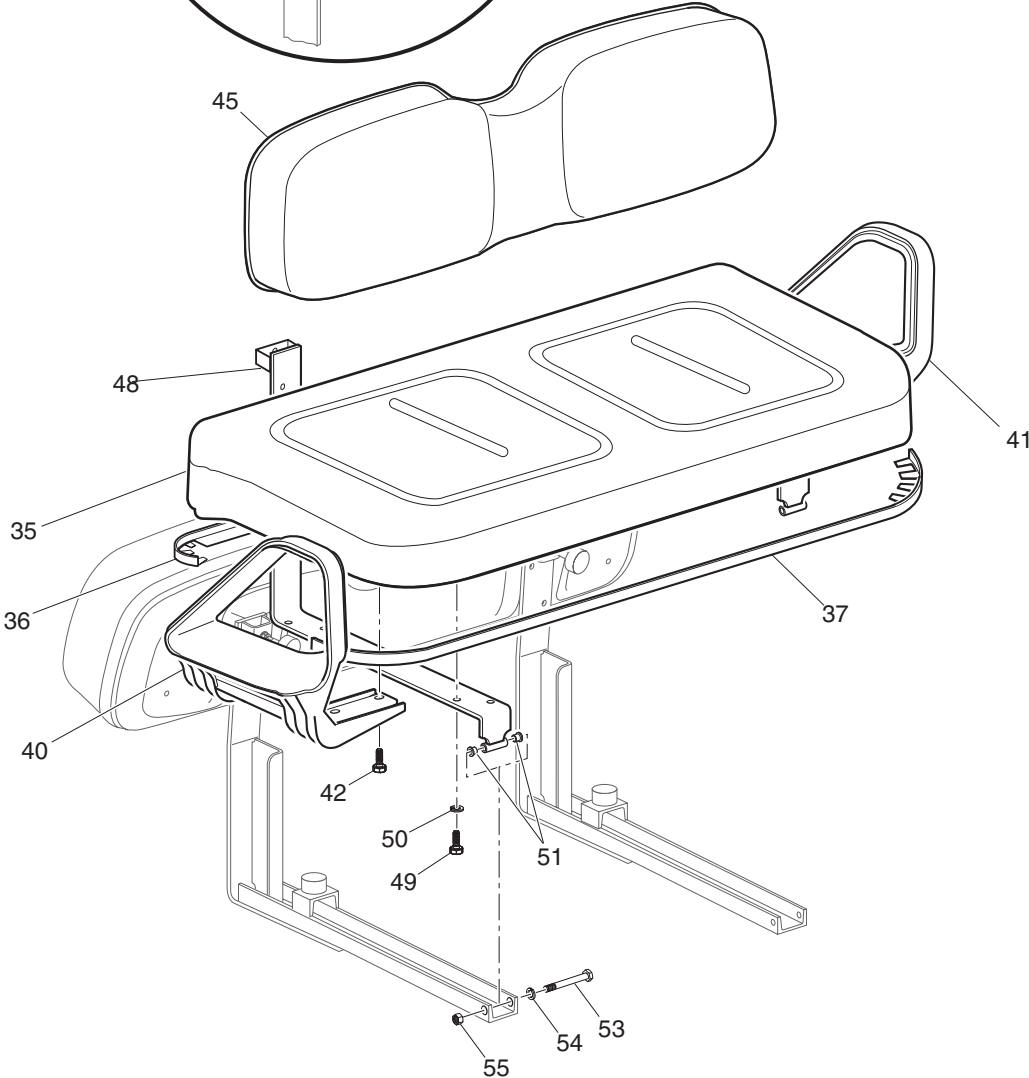
1 - Includes Items 2 - 4



Ref Ssh 1-1



34 - Includes Items 35 - 37
45 - Includes Items 17 - 19



Ref Ssh 1-2

SEATING - SHUTTLE 2+2

Where applicable, THE USE OF NON UL PARTS WILL VOID ANY UL LISTING.

When ordering parts, please specify the model and serial number of the product.

* Indicates a component that is not available as an individual part.

G** Indicates consult Customer Service Department for additional information.

ITEM	PART NO.	1 2 3 4 5	DESCRIPTION	QTY.
1	71611-G**		SEAT BOTTOM ASSEMBLY (INCLUDES ITEMS 2 -4)	1
2	71602-G**		VINYL SEAT BOTTOM COVER	1
3	71012-G01		VINYL TRIM (SEAT BOTTOM).....	1
4	17074-G1		RUBBER PAD.....	2
5				
6				
7	71701-G01		HIP RESTRAINT (PASSENGER SIDE).....	1
8	71702-G01		HIP RESTRAINT (DRIVER SIDE).....	1
9	00661-G8		BOLT, 1/4 - 20 X 1" LG(STAINLESS STEEL).....	8
10				
11				
12	71610-G01		SEAT HINGE.....	2
13	00720-G08		SCREW, #12 - 14 X 1" LG (STAINLESS STEEL).....	6
14				
15				
16	71751-G**		SEAT BACK ASSEMBLY (INCLUDES ITEMS 17 - 19)	1
17	71753-G**		VINYL SEAT BACK COVER	1
18	71752-G01		PLASTIC SEAT BACK COVER	1
19	01107-G01		SCREW, #8 X 5/8" LG (STAINLESS STEEL)	4
20				
21				
22	70364-G01		SPACER.....	2
23	74111-G01		SEAT BACK SUPPORT	2
24	01006-G02		BOLT, 3/8 - 16 X 1 1/2" LG	4
25	00560-G1		WASHER, 3/8"	4
26	70113-G01		ADJUSTABLE BUMPER.....	4
27	11027-G1		LOCK NUT, 5/16 - 18.....	6
28	74508-G02		LATCH BRACKET - LEFT.....	1
29	00661-G8		BOLT, 1/4 - 20 X 1" LG (STAINLESS STEEL).....	4
30	00664-G7		LOCK WASHER, 1/4" (STAINLESS STEEL).....	4

SEATING - SHUTTLE 2+2

Where applicable, THE USE OF NON UL PARTS WILL VOID ANY UL LISTING.

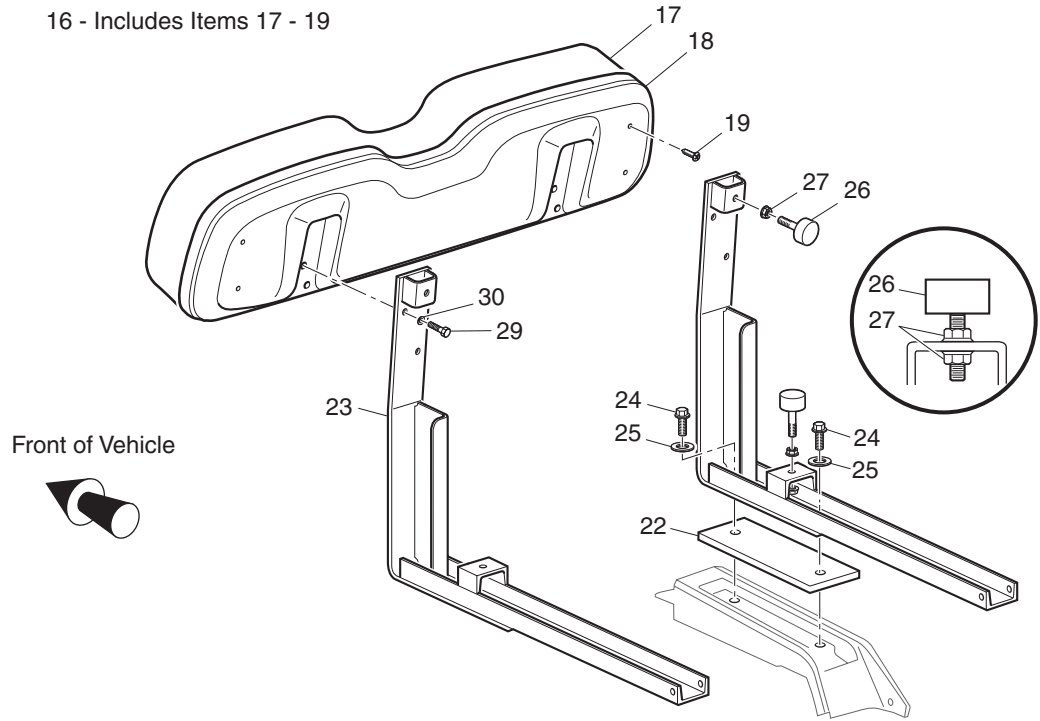
When ordering parts, please specify the model and serial number of the product.

* Indicates a component that is not available as an individual part.

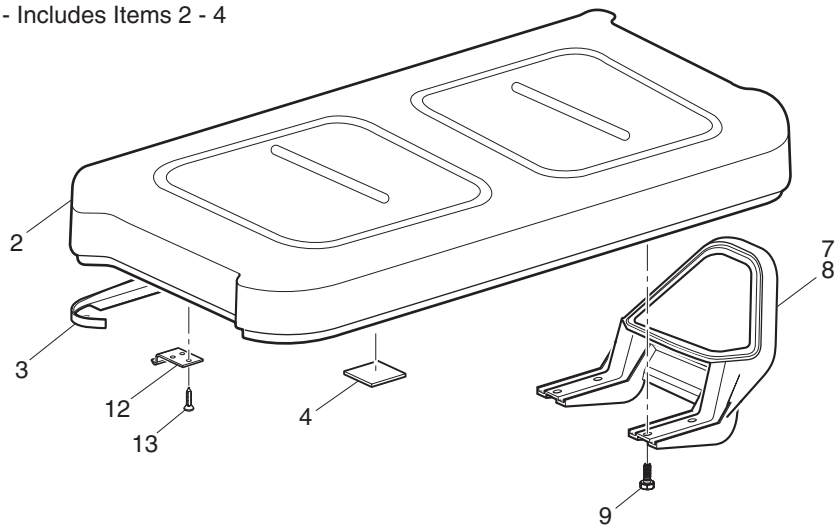
G** Indicates consult Customer Service Department for additional information.

ITEM	PART NO.	1	2	3	4	5	DESCRIPTION	QTY.
31								
32								
33								
34	74139-G**						SEAT BOTTOM ASSEMBLY (INCLUDES ITEMS 42 - 44)	1
35	71602-G**						VINYL COVER (SEAT BOTTOM).....	1
36	74140-G01						TRIM	1
37	71012-G01						TRIM	1
38								
39								
40	71702-G01						HIP RESTRAINT (DRIVER SIDE).....	1
41	71701-G01						HIP RESTRAINT (PASSENGER SIDE).....	1
42	00661-G8						BOLT, 1/4 - 20 X 1" LG (STAINLESS STEEL).....	8
43								
44								
45	71751-G**						SEAT BACK ASSEMBLY (INCLUDES ITEMS 17 - 19)	1
46								
47								
48	74117-G01						SEAT SUPPORT BRACKET.....	2
49	00661-G8						BOLT, 1/4 - 20 X 1" LG (STAINLESS STEEL).....	12
50	00664-G7						LOCK WASHER, 1/4" (STAINLESS STEEL).....	12
51	17838-G1						NYLON BUSHING.....	4
52								
53	00440-G4						BOLT, 5/16 - 18 X 2 1/4" LG	2
54	00559-G8						WASHER, 5/16"	2
55	11098-G6						LOCK NUT, 5/16 - 18	2

SEATING - CONVERTIBLE CARRIER

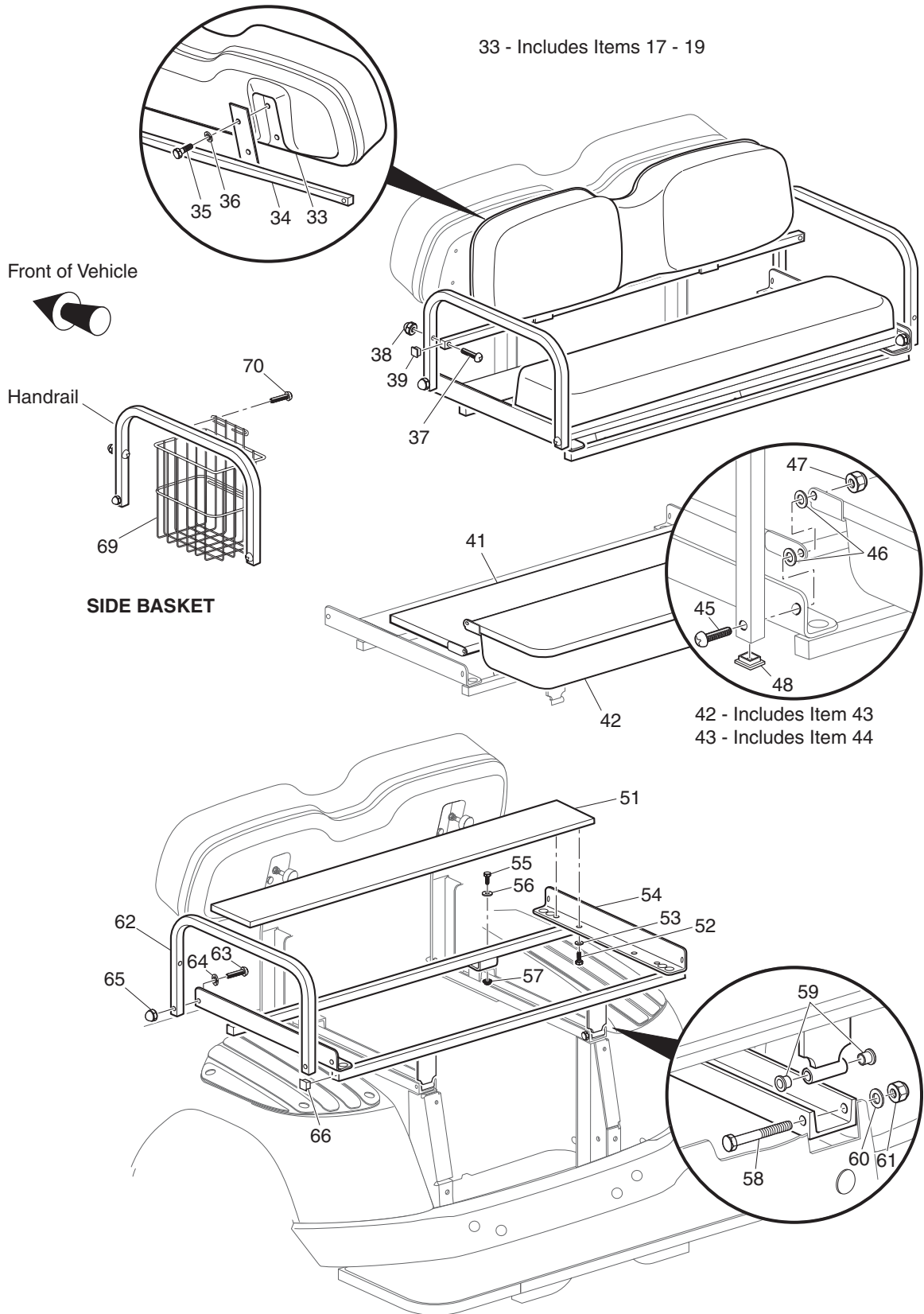


1 - Includes Items 2 - 4



Ref Sec 1-1

SEATING - CONVERTIBLE CARRIER



Ref Sec 1-2

SEATING - CONVERTIBLE CARRIER

Where applicable, THE USE OF NON UL PARTS WILL VOID ANY UL LISTING.

When ordering parts, please specify the model and serial number of the product.

* Indicates a component that is not available as an individual part.

G** Indicates consult Customer Service Department for additional information.

ITEM	PART NO.	1	2	3	4	5	DESCRIPTION	QTY.	
1	71611-G**	SEAT BOTTOM ASSEMBLY (INCLUDES ITEMS 2 - 4)							1
2	71602-G**	VINYL SEAT BOTTOM COVER							1
3	71012-G01	VINYL TRIM (SEAT BOTTOM)							1
4	17074-G1	RUBBER PAD							2
5									
6									
7	71701-G01	HIP RESTRAINT (PASSENGER SIDE)							1
8	71702-G01	HIP RESTRAINT (DRIVER SIDE)							1
9	71204-G01	BOLT, 1/4 - 20 X 7/8" LG							8
10									
11									
12	71610-G01	SEAT HINGE							2
13	00720-G08	SCREW, #12 - 14 X 1" LG (STAINLESS STEEL)							4
14									
15									
16	71751-G**	SEAT BACK ASSEMBLY (INCLUDES ITEMS 17 - 19)							1
17	71753-G**	VINYL SEAT BACK COVER							1
18	71752-G01	PLASTIC SEAT BACK COVER							1
19	01107-G01	SCREW, #8 X 5/8" LG (STAINLESS STEEL)							4
20									
21									
22	70364-G01	SPACER							2
23	74111-G01	SEAT BACK SUPPORT							2
24	01006-G02	BOLT, 3/8 - 16 X 1 1/2" LG							4
25	00560-G1	WASHER, 3/8"							4
26	70113-G01	ADJUSTABLE BUMPER							2
27	11027-G1	LOCK NUT, 5/16 - 18							2
28									
29	00661-G8	BOLT, 1/4 - 20 X 1" LG (STAINLESS STEEL)							4
30	00664-G7	LOCK WASHER, 1/4" (STAINLESS STEEL)							4

SEATING - CONVERTIBLE CARRIER

Where applicable, THE USE OF NON UL PARTS WILL VOID ANY UL LISTING.

When ordering parts, please specify the model and serial number of the product.

* Indicates a component that is not available as an individual part.

G** Indicates consult Customer Service Department for additional information.

ITEM	PART NO.	1	2	3	4	5	DESCRIPTION	QTY.
31								
32								
33	71751-G**						SEAT BACK ASSEMBLY (INCLUDES ITEMS 17 - 19).....	1
34	75258-G01						SEAT BACK SUPPORT	1
35	00661-G8						BOLT, 1/4 - 20 X 0.75" LG (STAINLESS STEEL).....	4
36	00664-G7						LOCK WASHER, 1/4" (STAINLESS STEEL)	4
37	16705-G6						SCREW, 1/4 - 20 X 1 3/4" LG (STAINLESS STEEL)	2
38	00520-G1						ACORN NUT, 1/4 - 20 (STAINLESS STEEL)	2
39	75261-G01						CAP-TUBE - 3/4 X 11 GA.....	2
40								
41	71062-G01						BED	1
42	71063-G**						SEAT BOTTOM ASSEMBLY (INCLUDES ITEM 43).....	1
43	75197-G**						SEAT BOTTOM (INCLUDES ITEM 44)	1
44	75252-G**						VINYL SEAT BOTTOM COVER.....	1
45	00762-G4						SCREW, 5/16 - 18 X 1 1/4" LG (STAINLESS STEEL)	2
46	17255-G01						WASHER, LK - SS - 5/16"	4
47	00891-G3						NUT - ACCORN - SS - 5/16 - 18.....	2
48	19859-G1						CAP-TUBE - 3/4 X 11 GA.....	4
49								
50								
51	71060-G01						BED FRONT (INCLUDES MAT).....	1
52	00661-G6						BOLT, 1/4 - 20 X 3/4" LG (STAINLESS STEEL).....	4
53	00559-G8						WASHER - LK - SP - SS - 1/4"	4
54	75193-G01						SUPPORT FRAME.....	1
55	00438-G8						BOLT, 5/16 - 18 X 1" LG	2
56	00559-G8						WASHER, 5/16"	2
57	11027-G1						LOCK NUT, 5/16 - 18	2
58	00440-G4						BOLT, 5/16 - 18 X 2 1/2" LG	2
59	17838-G1						NYLON BUSHING.....	4
60	00559-G8						WASHER, 5/16"	2

SEATING - CONVERTIBLE CARRIER

Where applicable, THE USE OF NON UL PARTS WILL VOID ANY UL LISTING.

When ordering parts, please specify the model and serial number of the product.

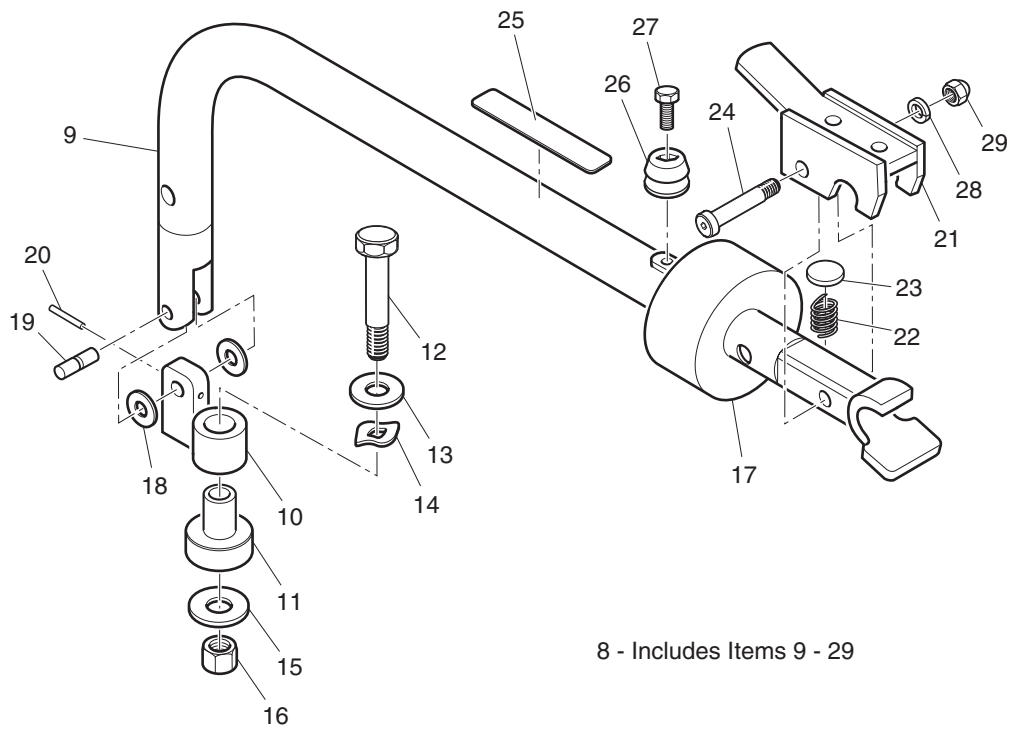
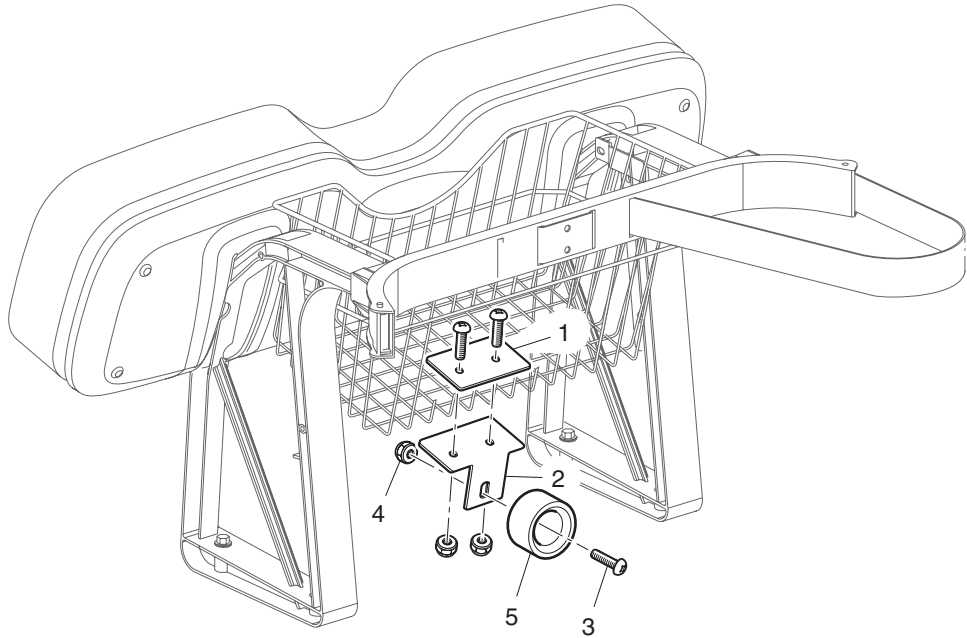
* Indicates a component that is not available as an individual part.

G** Indicates consult Customer Service Department for additional information.

ITEM	PART NO.	1 2 3 4 5	DESCRIPTION	QTY.
61	00654-G3		LOCK NUT, 5/16 - 18 (STAINLESS STEEL)	2
62	75196-G01		HANDRAIL	2
63	00762-G2		SCREW, 5/16 - 18 X 1 1/4" LG (STAINLESS STEEL)	2
64	00664-G8		LOCK WASHER, 5/16" (STAINLESS STEEL)	2
65	00520-G3		ACORN NUT, 5/16 - 18 (STAINLESS STEEL)	2
66	75261-G02		END CAP, 1"	4
67				
68				
69	75007-G01		SIDE BASKET (BLACK).....	2
70	00106-G6		SELF THREADING SCREW, #12 - 24 X 3/4" LG	4

SEATING - CONVERTIBLE CARRIER

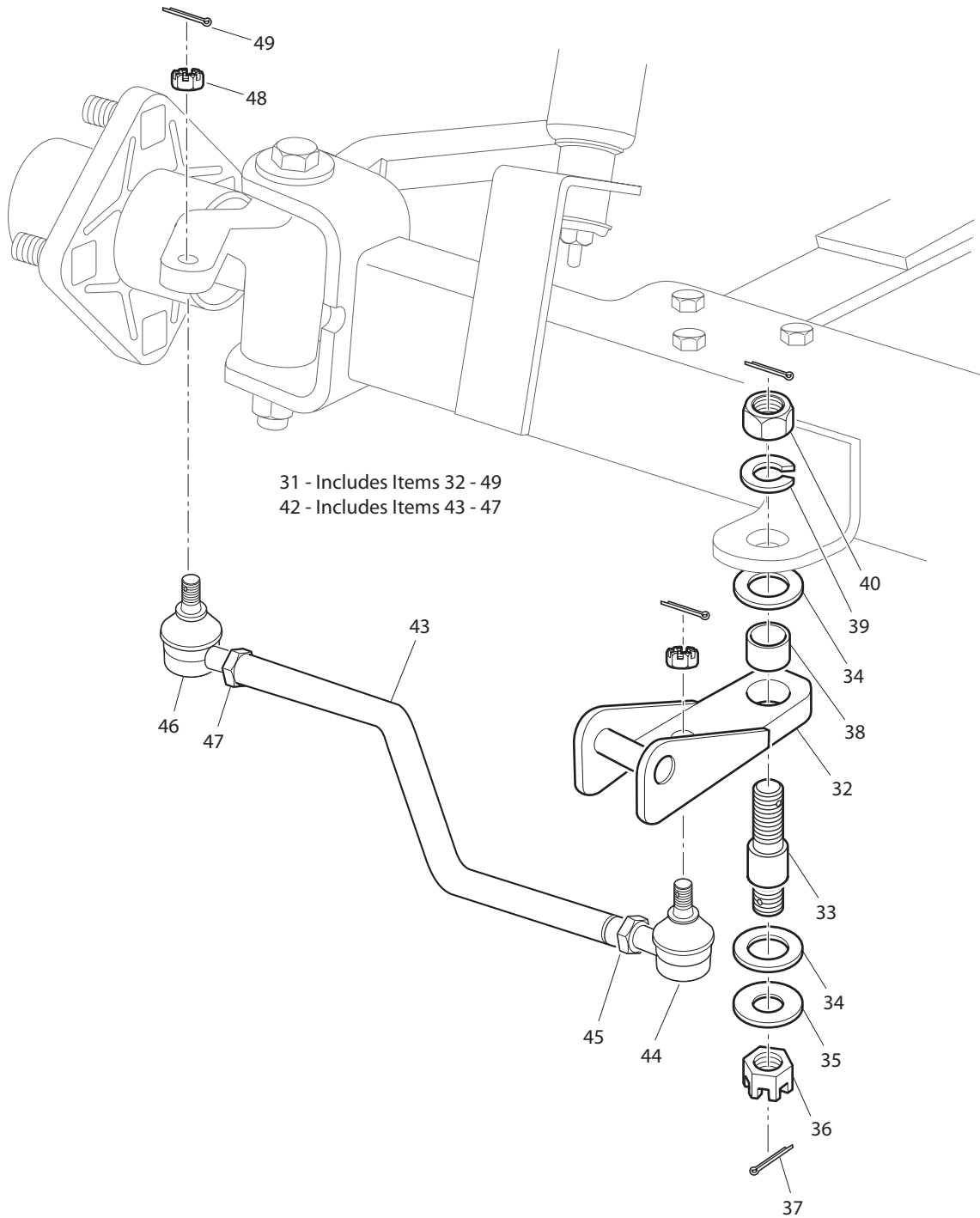
TOW BAR - PERMANENT



8 - Includes Items 9 - 29

Ref Twb 1-1

TOW BAR - PERMANENT



Ref Twb 1-2

TOW BAR - PERMANENT

Where applicable, THE USE OF NON UL PARTS WILL VOID ANY UL LISTING.

When ordering parts, please specify the model and serial number of the product.

* Indicates a component that is not available as an individual part.

G** Indicates consult Customer Service Department for additional information.

ITEM	PART NO.	1 2 3 4 5	DESCRIPTION	QTY.
1	75318-G01		MOUNTING PLATE.....	1
2	75319-G01		STOP MOUNT PLATE	1
3	16705-G1		SCREW, 1/4 - 20 X 1" LG (STAINLESS STEEL)	3
4	00891-G2		LOCK NUT, 1/4 - 20 (STAINLESS STEEL)	3
5	75338-G02		FEMALE STOP	1
6				
7				
8	75304-G01		TOW BAR ASSEMBLY (TOWING VEHICLE) (INCLUDES ITEMS 9 - 29)	1
9	75299-G01		TOW BAR	1
10	75302-G01		UPPER PIVOT	1
11	75291-G01		LOWER PIVOT	1
12	00410-G8		BOLT, 1/2 - 20 X 3" LG.....	1
13	00675-G3		WASHER, 1/2" (STAINLESS STEEL).....	1
14	75339-G01		SPRING WASHER	1
15	00571-G5		WASHER, 1/2"	1
16	11098-G8		LOCK NUT, 1/2 - 20.....	1
17	75362-G01		LATCH STOP.....	1
18	75340-G01		WASHER, 3/8"	2
19	75360-G01		PIVOT PIN	1
20	13571-G7		SPRING PIN	1
21	75303-G01		LATCH	1
22	20852-G2		COMPRESSION SPRING	1
23	25661-G02		CUP WASHER.....	1
24	13005-G4		SHOULDER BOLT, 5/16 - 18 X 2" LG.....	1
25	75370-G01		LABEL (WARNING)	1
26	75338-G03		MALE STOP	1
27	12547-G4		BOLT, 6MM X 1 X 30 MM LG.....	1
28	00565-G8		LOCK WASHER, 5/16"	1
29	00520-G3		ACORN NUT, 5/16 - 18 (STAINLESS STEEL)	1
30				

TOW BAR - PERMANENT

Where applicable, THE USE OF NON UL PARTS WILL VOID ANY UL LISTING.

When ordering parts, please specify the model and serial number of the product.

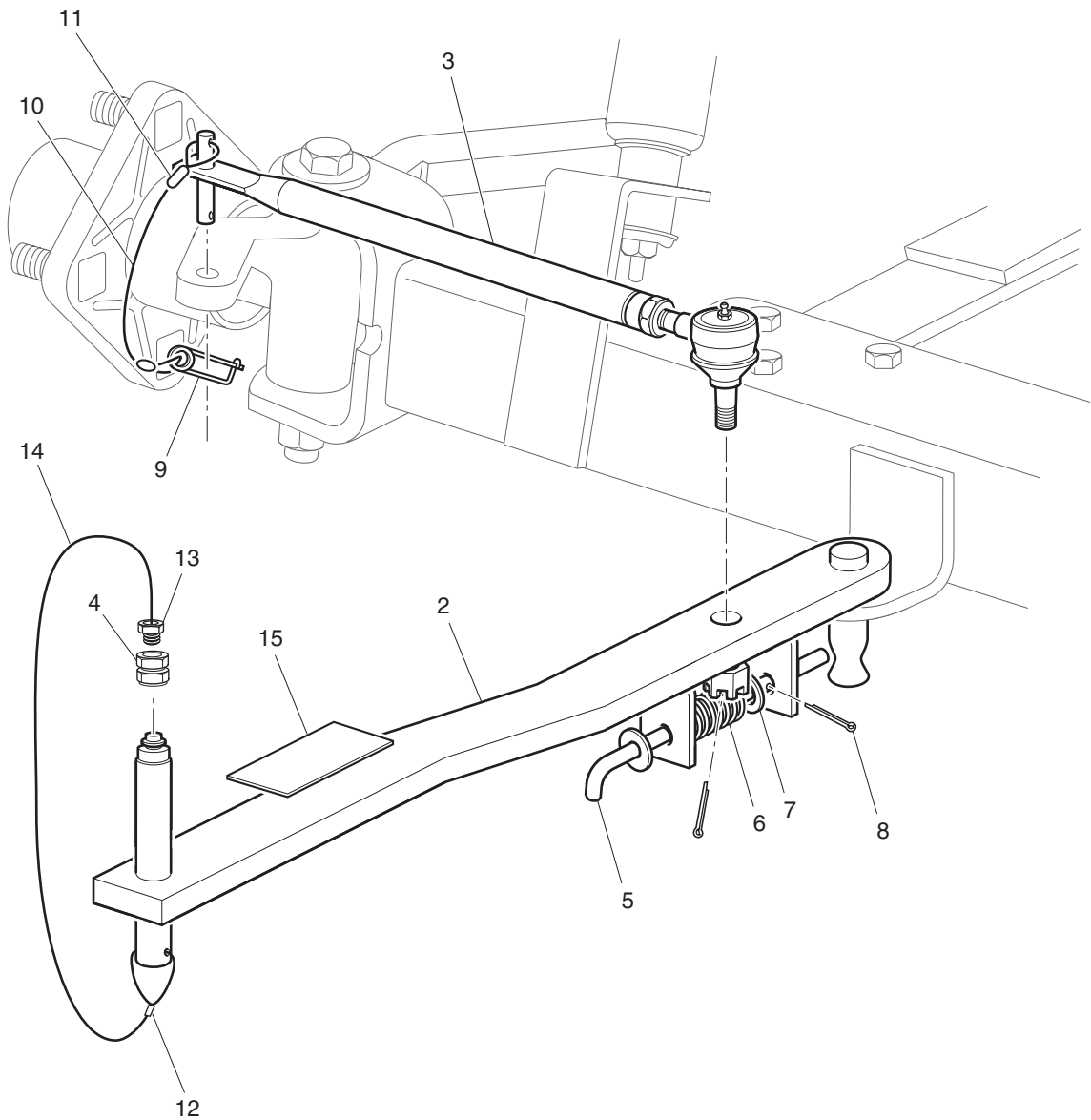
* Indicates a component that is not available as an individual part.

G** Indicates consult Customer Service Department for additional information.

ITEM	PART NO.	1 2 3 4 5	DESCRIPTION	QTY.
31	75308-G01		TOW BAR HITCH ASSEMBLY (TOWED VEHICLE) (INCLUDES ITEMS 32 - 49).....	1
32	75305-G01		HITCH.....	1
33	75292-G01		PIVOT BOLT.....	1
34	75309-G01		THRUST WASHER.....	2
35	75342-G01		WASHER, 3/4".....	1
36	00518-G8		CASTELLATED NUT, 3/4 - 16.....	1
37	10387-G1		COTTER PIN, 1/8" X 1 1/2" LG.....	2
38	75307-G01		BEARING.....	1
39	00566-G6		LOCK WASHER, 3/4".....	1
40	00533-G8		NUT, 3/4 - 16.....	1
41				
42	602981		TIE ROD ASSEMBLY (INCLUDES ITEMS 43 - 47).....	1
43	603089		THREADED ROD.....	1
44	27205-G01		TIE ROD END (LEFT HAND THREADS).....	1
45	18434-G3		JAM NUT, M12 X 1.25-05 (LEFT HAND THREADS).....	1
46	27205G02		TIE ROD END (RIGHT HAND THREADS).....	1
47	18434-G4		JAM NUT, M12 X 1.25-05 (RIGHT HAND THREADS).....	1
48	50209-G2		CASTELLATED NUT, 7/16 - 20.....	2
49	10387-G2		COTTER PIN, 3/32" X 1" LG.....	2

TOW BAR - CASUAL

1 - Includes Items 2 - 15



Ref Tbc 1

TOW BAR - CASUAL

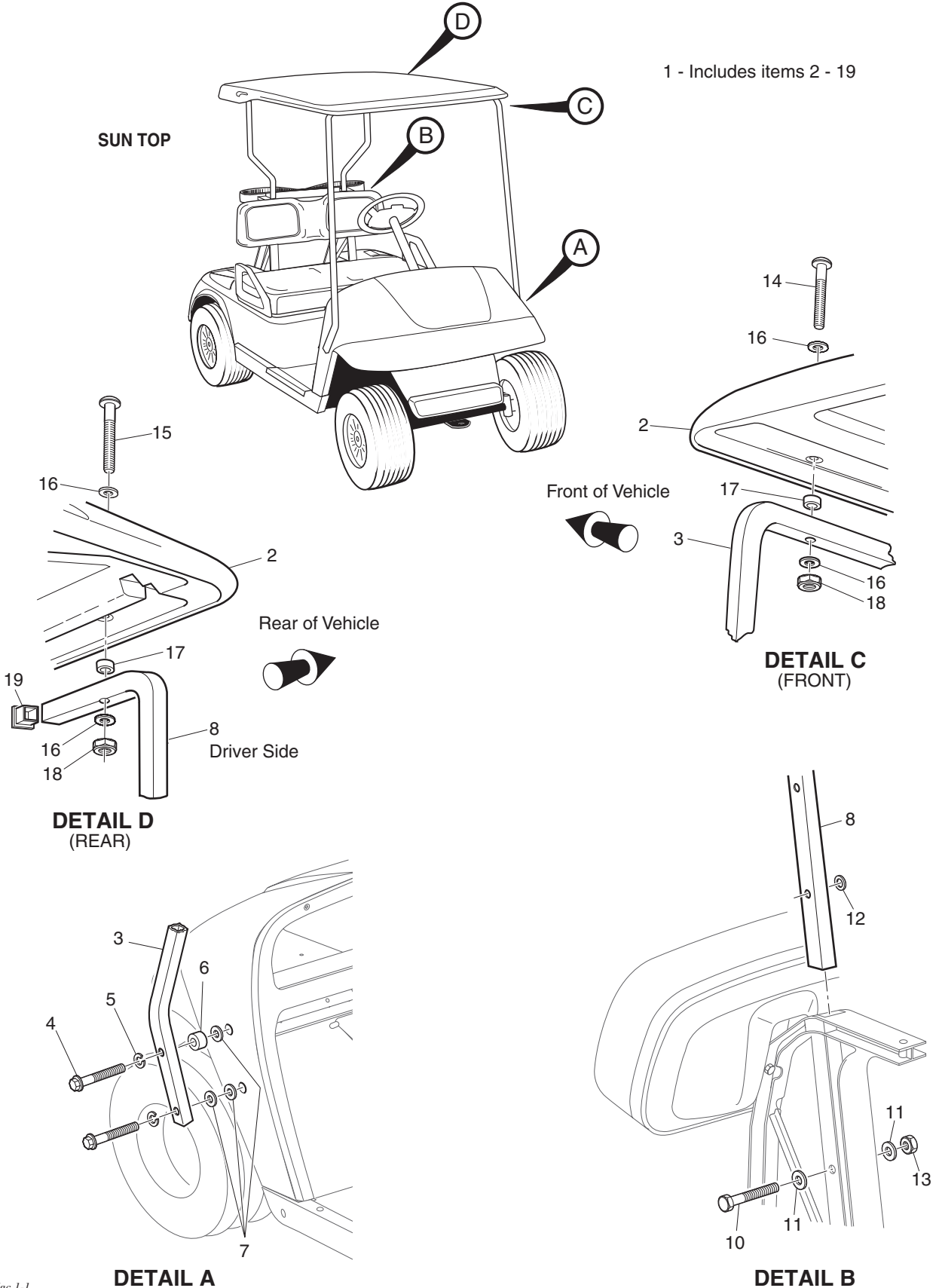
Where applicable, THE USE OF NON UL PARTS WILL VOID ANY UL LISTING.
 When ordering parts, please specify the model and serial number of the product.
 * Indicates a component that is not available as an individual part.
 G** Indicates consult Customer Service Department for additional information.

ITEM	PART NO.	1	2	3	4	5	DESCRIPTION	QTY.	
1	75033-G01	CASUAL TOW BAR (INCLUDES ITEMS 2 - 15)							1
2	*	TOW BAR							1
3	75034-G01	TIE ROD (INCLUDES NUT AND COTTER PIN)							1
4	75060-G01	COUPLING							1
5	75058-G01	LOCK PIN							1
6	75065-G01	COMPRESSION SPRING							1
7	00922-G2	WASHER, 3/8"							1
8	10387-G2	COTTER PIN, 3/32" X 1" LG							1
9	75068-G01	SAFETY PIN							1
10	14869-G5	WIRE ROPE							1
11	16783-G1	FERRULE							3
12	75067-G01	FERRULE							1
13	75035-G02	HEX HEAD PLUG							1
14	14869-G3	WIRE ROPE							1
15	75091-G01	LABEL (WARNING)							1

WEATHER PROTECTION - GOLF CAR

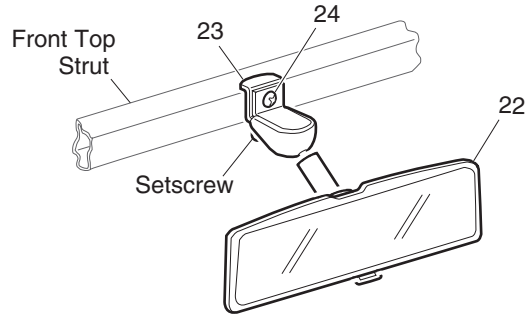
SUN TOP

1 - Includes items 2 - 19

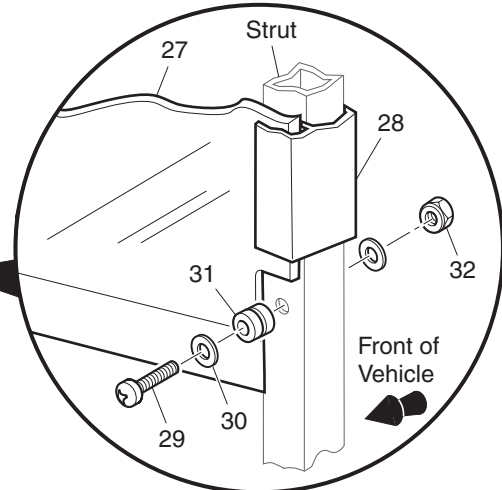
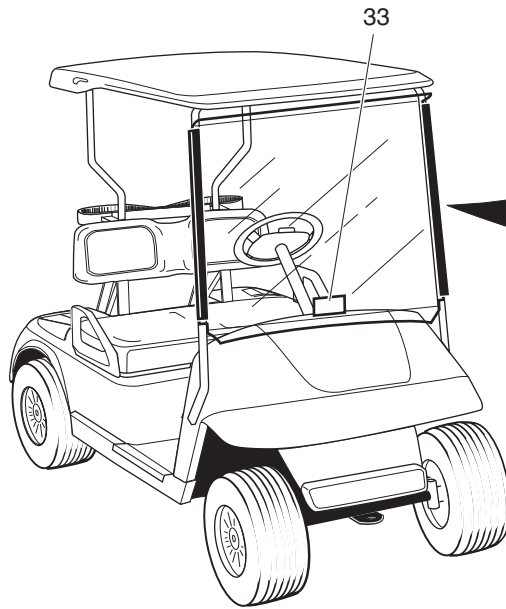


Ref Wgc 1-1

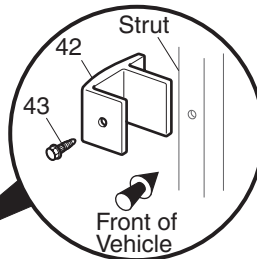
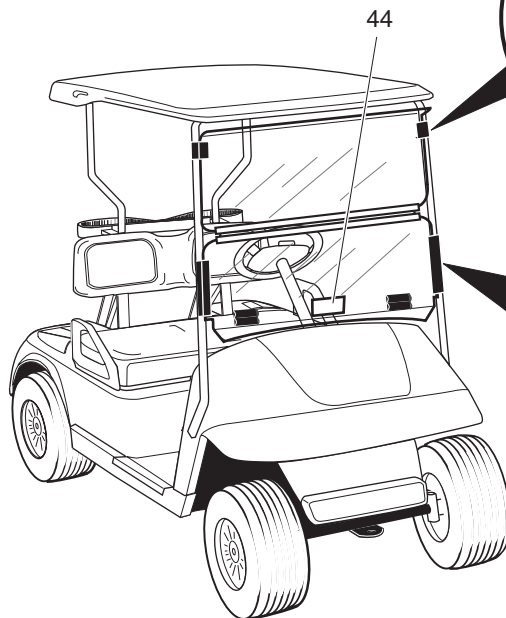
WEATHER PROTECTION - GOLF CAR



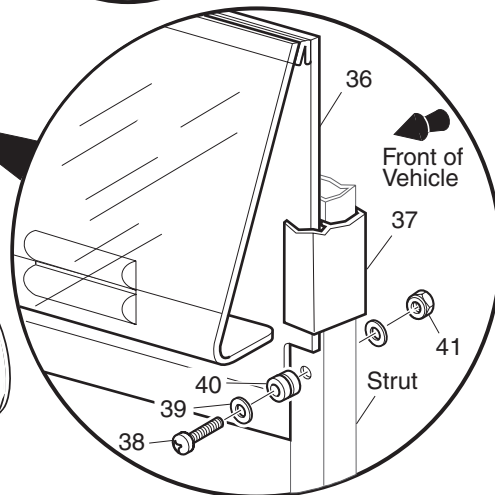
REAR VIEW MIRROR
21 - Includes Items 22 - 24



FULL WINDSHIELD
26 - Includes Items 27 - 33



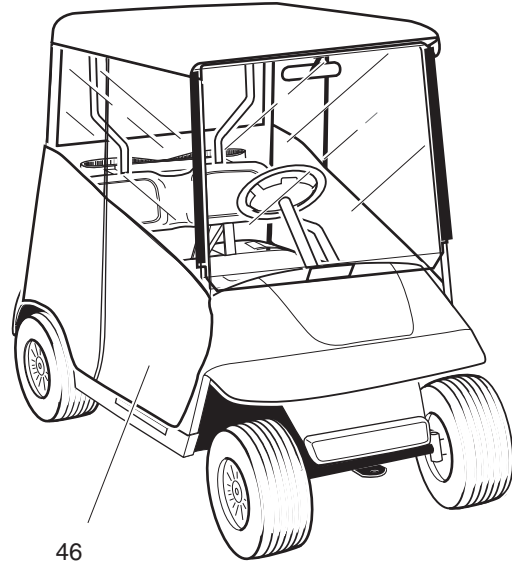
FOLD DOWN WINDSHIELD
35 - Includes Items 36 - 44



Ref Wgc 1-2

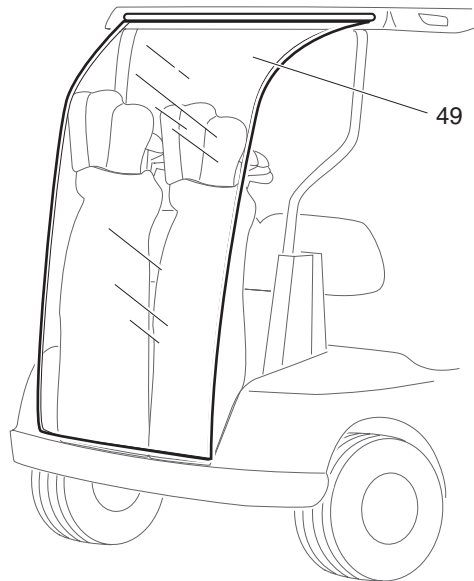
WEATHER PROTECTION - GOLF CAR

WEATHER ENCLOSURE



46
47

BAG AND RAIN CURTAIN



49

Ref Wgc 1-3

WEATHER PROTECTION - GOLF CAR

Where applicable, THE USE OF NON UL PARTS WILL VOID ANY UL LISTING.

When ordering parts, please specify the model and serial number of the product.

* Indicates a component that is not available as an individual part.

G** Indicates consult Customer Service Department for additional information.

ITEM	PART NO.	1	2	3	4	5	DESCRIPTION	QTY.	
1	75040-G**							SUN TOP KIT (GOLF CAR) (INCLUDES ITEMS 2 - 19)	1
2	27069-G**							SUN TOP	1
3	75045-G05							FRONT STRUT	1
4	000440-G2							SCREW - CAP - 5/16 - 18 X 2 1/4"	4
5	00559-G8							WASHER - 5/16" FL - B - CP	4
6	75048-G01							SPACER, 1/2"	2
7	00570-G2							WASHER, 5/16"	6
8	75046-G02							REAR STRUT	2
9									
10	00685-G7							BOLT, 5/16 - 18 X 1 3/4" LG (STAINLESS STEEL)	4
11	01110-G03							WASHER, 5/16" (STAINLESS STEEL)	8
12	17255-G1							TEFLON WASHER, 5/16"	4
13	01109-G01							LOCK NUT, 5/16 - 18 (STAINLESS STEEL)	4
14	00753-G5							SCREW, 1/4 - 20 X 2" LG (STAINLESS STEEL)	2
15	00753-G6							SCREW, 1/4 - 20 X 2 1/4" LG (STAINLESS STEEL)	2
16	01110-G01							WASHER, 1/4" (STAINLESS STEEL)	8
17	75051-G01							SPACER	4
18	00654-G2							LOCK NUT, 1/4 - 20 (STAINLESS STEEL)	4
19	19853-G1							END CAP, 1"	2
20									
21	19528-G2							REAR VIEW MIRROR KIT (INCLUDES ITEMS 22 - 24)	1
22	19496-G1							REAR VIEW MIRROR	1
23	19502-G2							SUPPORT BRACKET	1
24	19527-G1							SCREW, #8 - 32 X 5/8" LG (STAINLESS STEEL)	1
25									
26	75524-G01							WINDSHIELD KIT (GOLF CAR) (INCLUDES ITEMS 27 - 33)	1
27	*							WINDSHIELD	1
28	EGWHC12							SASH, 26" LG	2
29	EGWHS12							SCREW, 1/4 - 20 X 1 3/4" LG (STAINLESS STEEL)	2
30	EGWHW12							WASHER, 1/4" (STAINLESS STEEL)	4

WEATHER PROTECTION - GOLF CAR

Where applicable, THE USE OF NON UL PARTS WILL VOID ANY UL LISTING.

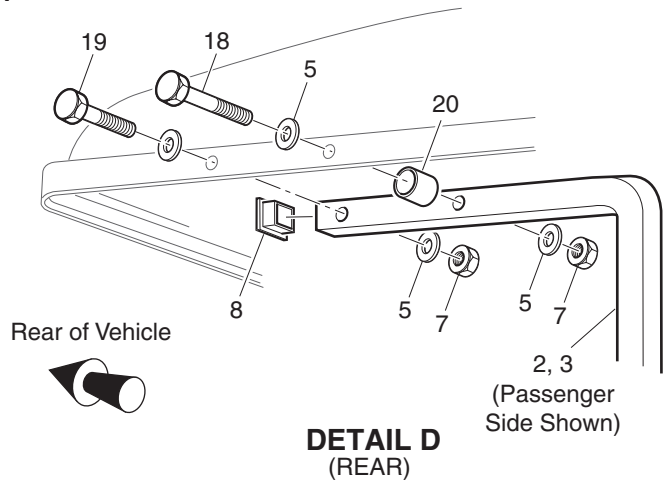
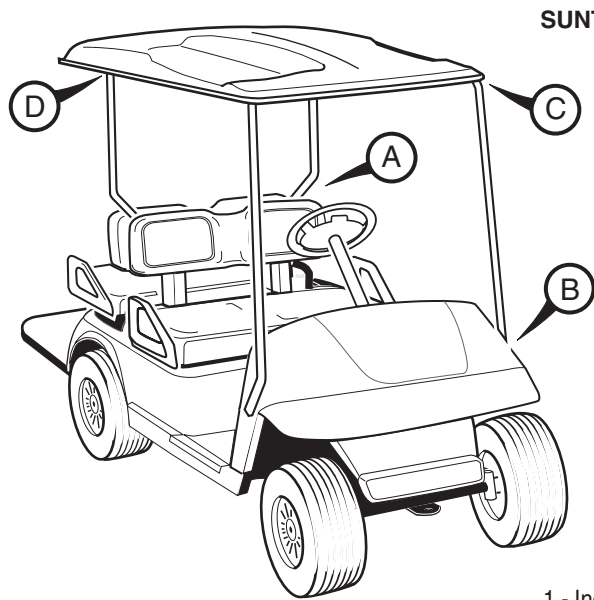
When ordering parts, please specify the model and serial number of the product.

* Indicates a component that is not available as an individual part.

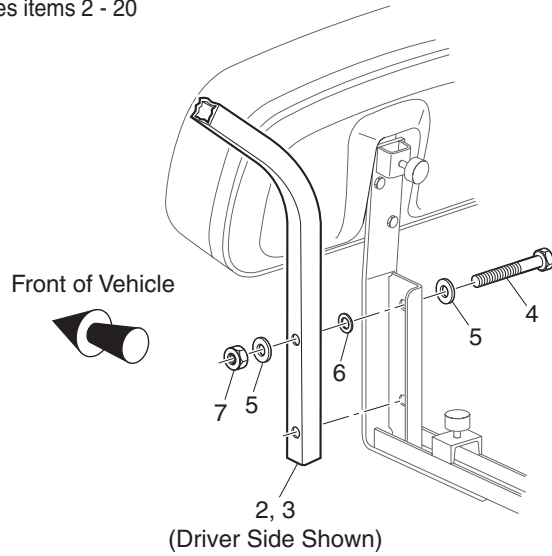
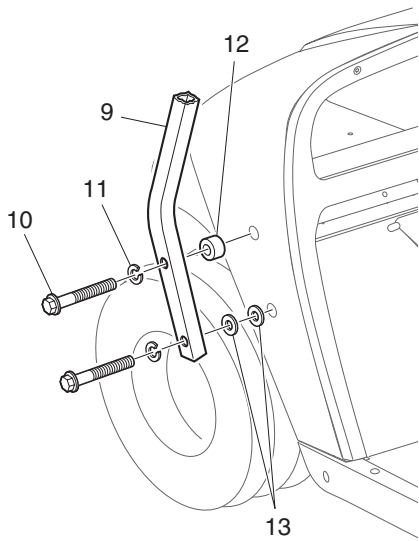
G** Indicates consult Customer Service Department for additional information.

ITEM	PART NO.	1	2	3	4	5	DESCRIPTION	QTY.
31	EGWHG13						RUBBER GROMMET	2
32	EGWHN12						LOCK NUT, 1/4 - 20 (STAINLESS STEEL)	2
33	EGWHL14						LABEL (SAFETY)	1
34								
35	75077-G01						FOLD DOWN WINDSHIELD KIT (GOLF CAR) (INCLUDES ITEMS 36 - 44).....	1
36	*						WINDSHIELD	1
37	EGWHC10						SASH, 12" LG	2
38	EGWHS12						SCREW, 1/4 - 20 X 1 3/4" LG (STAINLESS STEEL)	2
39	EGWHW12						WASHER, 1/4" (STAINLESS STEEL)	4
40	EGWHG13						RUBBER GROMMET	2
41	EGWHN12						LOCK NUT, 1/4 - 20 (STAINLESS STEEL)	2
42	137-010						TOP GRIP, 3/4" X 2"	2
43	136-008						TOP GRIP FASTENER.....	2
44	EGWHL14						LABEL (SAFETY)	1
45								
46	75078-G01						WEATHER ENCLOSURE (3 SIDED) RECOMMENDED FOR VEHICLES WITH WINDSHIELDS	1
47	75079-G01						WEATHER ENCLOSURE (4 SIDED) RECOMMENDED FOR VEHICLES WITHOUT WINDSHIELDS	1
48								
49	75191-G01						BAG COVER AND RAIN CURTAIN KIT	1
For service or replacement windshield parts, contact: Eagle Parts, Inc. 1411 Marvin Griffin Rd. Augusta, GA 30906 Telephone (706) 790-6687 or FAX (706) 790-6066								

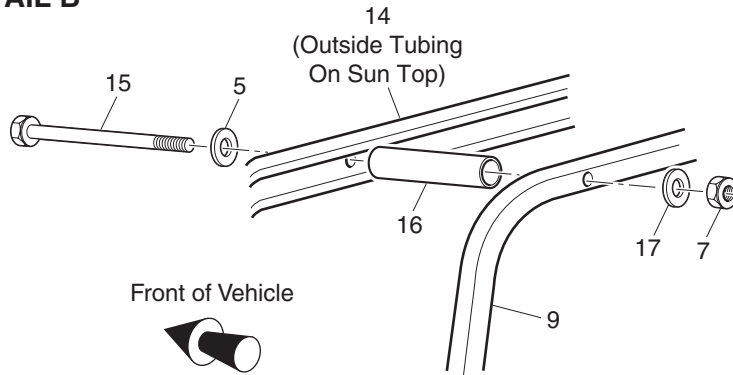
WEATHER PROTECTION - SHUTTLE 2+2



1 - Includes items 2 - 20

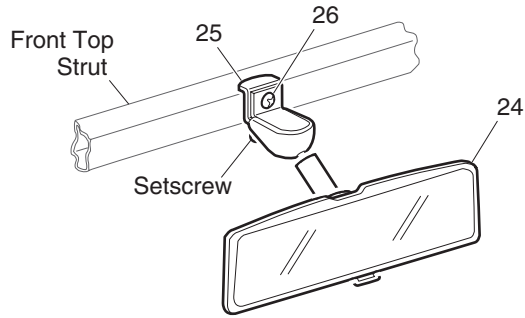


DETAIL A

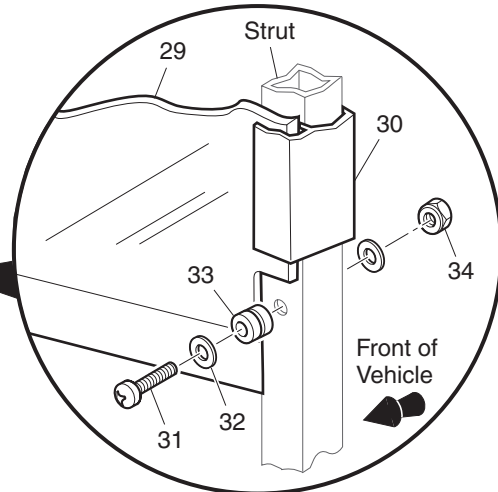
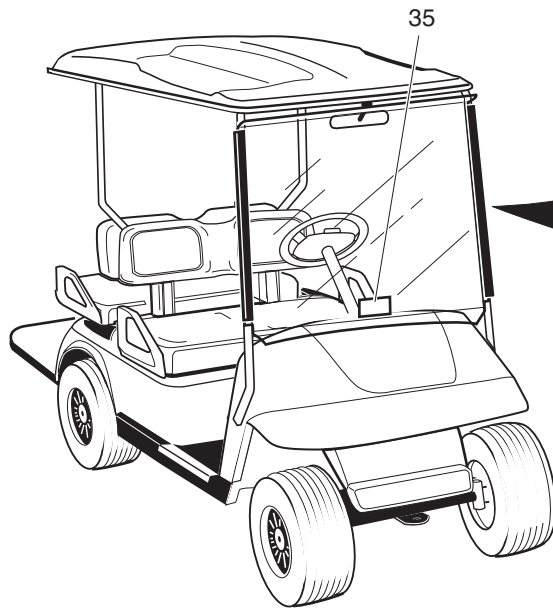


Ref Wsh 1-1

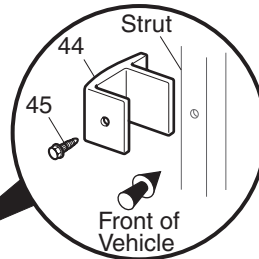
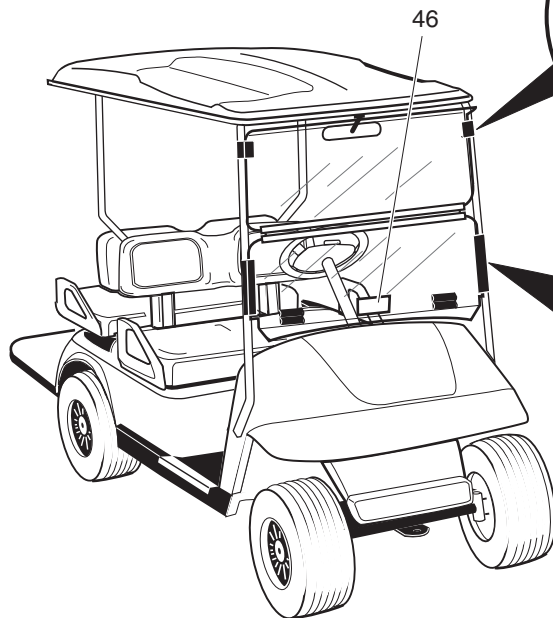
WEATHER PROTECTION - SHUTTLE 2+2



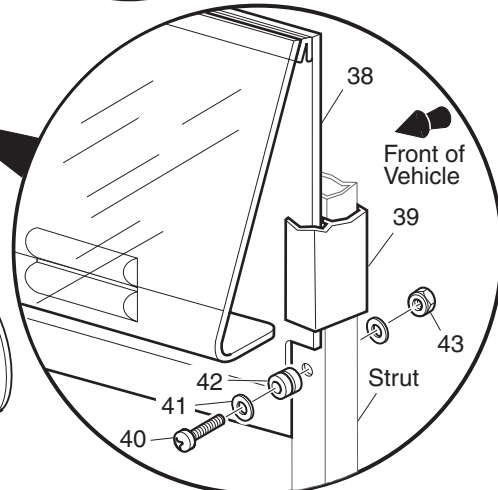
REAR VIEW MIRROR
23 - Includes Items 24 - 26



FULL WINDSHIELD
28 - Includes Items 29 - 35



FOLD DOWN WINDSHIELD
37 - Includes Items 38 - 46



Ref Wsh 1-2

WEATHER PROTECTION - SHUTTLE 2+2

Where applicable, THE USE OF NON UL PARTS WILL VOID ANY UL LISTING.

When ordering parts, please specify the model and serial number of the product.

* Indicates a component that is not available as an individual part.

G** Indicates consult Customer Service Department for additional information.

ITEM	PART NO.	1	2	3	4	5	DESCRIPTION	QTY.	
1	75123-G01	SUN TOP (SHUTTLE 2+2) (INCLUDES ITEMS 2 - 20).....							1
2	75074-G01	REAR STRUT (DRIVER SIDE).....							1
3	75074-G02	REAR STRUT (PASSENGER SIDE).....							1
4	00665-G5	BOLT, 3/8 - 16 X 1 3/4" LG (STAINLESS STEEL)							4
5	00679-G1	WASHER, 3/8 (STAINLESS STEEL).....							18
6	00771-G5	WASHER, 3/8							4
7	00891-G5	LOCK NUT, 3/8 - 16.....							10
8	19853-G1	END CAP, 1".....							2
9	75125-G01	FRONT STRUT.....							1
10	00440-G2	SCREW - CAP - 5/16 - 18 X 2 1/4"							4
11	00905-G8	LOCK WASHER, 5/16"							4
12	75048-G01	SPACER, 1/2"							2
13	00879-G1	LOCK WASHER, 3/8"							4
14	27604-G01	SUN TOP							1
15	00674-G8	BOLT, 3/8 - 16 X 5" LG (STAINLESS STEEL)							2
16	18716-G1	SPACER							2
17	00653-G1	WASHER, 3/8" (STAINLESS STEEL)							2
18	00665-G3	BOLT, 3/8 - 16 X 2 1/2" LG (STAINLESS STEEL)							2
19	00665-G6	BOLT, 3/8 - 16 X 2" LG (STAINLESS STEEL)							2
20	24647-G1	SPACER, 1/4"							2
21									
22									
23	19528-G2	REAR VIEW MIRROR KIT (INCLUDES ITEMS 24 - 26)							1
24	19496-G1	REAR VIEW MIRROR							1
25	19502-G2	SUPPORT BRACKET.....							1
26	19527-G1	SCREW, #8 - 32 X 5/8" LG (STAINLESS STEEL)							1
27									
28	75524-G02	WINDSHIELD KIT (SHUTTLE 2+2) (INCLUDES ITEMS 29 - 35).....							1
29	*	WINDSHIELD							1
30	EGWHC12	SASH, 26" LG							2

WEATHER PROTECTION - SHUTTLE 2+2

Where applicable, THE USE OF NON UL PARTS WILL VOID ANY UL LISTING.

When ordering parts, please specify the model and serial number of the product.

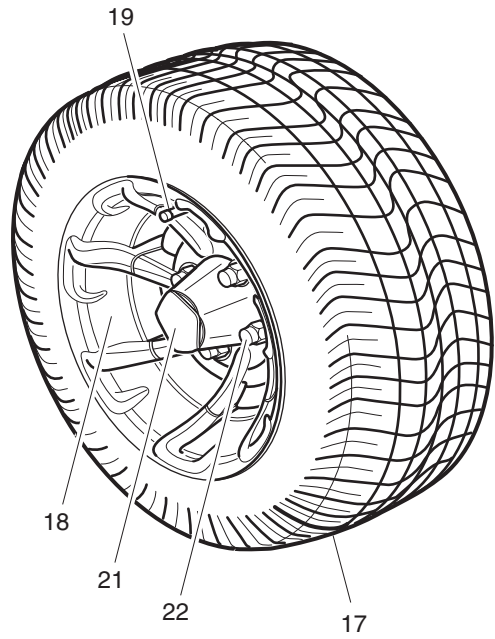
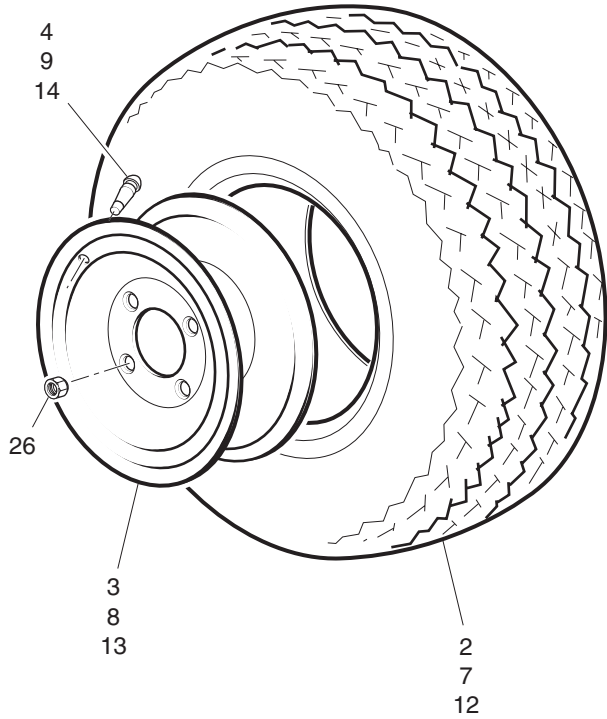
* Indicates a component that is not available as an individual part.

G** Indicates consult Customer Service Department for additional information.

ITEM	PART NO.	1	2	3	4	5	DESCRIPTION	QTY.
31	EGWHS12						SCREW, 1/4 - 20 X 1 3/4" LG (STAINLESS STEEL)	2
32	EGWHW12						WASHER, 1/4" (STAINLESS STEEL)	4
33	EGWHG13						RUBBER GROMMET	2
34	EGWHN12						LOCK NUT, 1/4 - 20 (STAINLESS STEEL)	2
35	EGWHL14						LABEL (SAFETY)	1
36								
37	75525-G02						FOLD DOWN WINDSHIELD KIT (SHUTTLE 2+2) (INCLUDES ITEMS 38 - 46).....	1
38	*						WINDSHIELD	1
39	EGWHC10						SASH, 12" LG	2
40	EGWHS12						SCREW, 1/4 - 20 X 1 3/4" LG (STAINLESS STEEL)	2
41	EGWHW12						WASHER, 1/4" (STAINLESS STEEL)	4
42	EGWHG13						RUBBER GROMMET	2
43	EGWHN12						LOCK NUT, 1/4 - 20 (STAINLESS STEEL)	2
44	137-010						TOP GRIP, 3/4" X 2"	2
45	136-008						TOP GRIP FASTENER.....	2
46	EGWHL14						LABEL (SAFETY)	1
							For service or replacement parts for windshields, contact: Eagle Parts, Inc. 1411 Marvin Griffin Rd. Augusta, GA 30906 Telephone (706) 790-6687 or FAX (706) 790-6066	

WHEELS AND TIRES

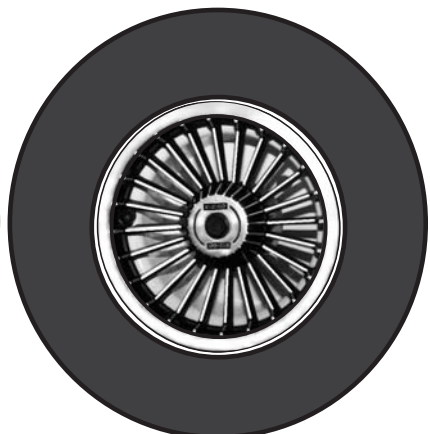
- 1 - Includes Items 2 - 4
- 6 - Includes Items 7 - 9
- 11 - Includes Items 12 - 14
- 16 - Includes Items 17 - 19



6" CHROME HUBCAP
28



8" CHROME HUBCAP
30



SILVER / GOLD SPOKE HUBCAP
32, 34

WHEELS AND TIRES

Where applicable, THE USE OF NON UL PARTS WILL VOID ANY UL LISTING.
 When ordering parts, please specify the model and serial number of the product.
 * Indicates a component that is not available as an individual part.
 G** Indicates consult Customer Service Department for additional information.

ITEM	PART NO.	1 2 3 4 5	DESCRIPTION	QTY.
1	28757-G01		TIRE AND WHEEL ASSEMBLY (LINKS 18 X 8.5 - 8) (INCLUDES ITEMS 2 - 4).....	1
2	28764-G01		TIRE (LINKS 18 X 8.5 - 8)	1
3	28759-G01		WHEEL RIM (4 LUG).....	1
4	11657-G2		VALVE STEM.....	1
5				
6	28757-G03		WHEEL AND TIRE ASSEMBLY (TURF SAVER 18 X 8.5 - 8) (INCLUDES ITEMS 7 - 9).....	1
7	28764-G03		TIRE (TURF-SAVER 18 X 8.5 - 8)	1
8	28759-G01		WHEEL RIM (4 LUG).....	1
9	11657-G2		VALVE STEM.....	1
10				
11	28842-G01		WHEEL AND TIRE ASSEMBLY (SURE TRAIL 6-PLY 18.5 X 8.5 - 8) (INCLUDES ITEMS 12 - 14).....	1
12	28764-G08		TIRE (SURE TRAIL 18.5 X 8.5 - 8).....	1
13	28759-G01		WHEEL RIM (4 LUG).....	1
14	11657-G2		VALVE STEM.....	1
15				
16	600599		WHEEL AND TIRE ASSEMBLY (ALLOY WHEEL).....	1
17	601768		TIRE (TOUR MAX 205 X 50 - 10).....	1
18	601766		WHEEL ALLOY RIM.....	1
19	601767		VALVE STEM.....	1
20				
21	601353		WHEEL ALLOY CAP.....	1
22	601354		WHEEL ALLOY LUG NUT	4
23				
24				
25				
26	14723-G1		LUG NUT, 1/2 - 20.....	16
27				
28	16042-G1		6" CHROME HUBCAP	4

WHEELS AND TIRES

Where applicable, THE USE OF NON UL PARTS WILL VOID ANY UL LISTING.
 When ordering parts, please specify the model and serial number of the product.
 * Indicates a component that is not available as an individual part.
 G** Indicates consult Customer Service Department for additional information.

ITEM	PART NO.	1 2 3 4 5	DESCRIPTION	QTY.
29	16042-G2		6" CHROME HUBCAP (SET OF FOUR).....	1
30	14913-G1		8" CHROME HUBCAP	4
31	14913-G2		8" CHROME HUBCAP (SET OF FOUR).....	1
32	19241-G2		GOLD SPOKE HUBCAP	4
33	19241-G4		GOLD SPOKE HUBCAP (SET OF FOUR)	1
34	19241-G1		SILVER SPOKE HUBCAP	4
35	19241-G3		SILVER SPOKE HUBCAP (SET OF FOUR).....	1

SPECIALTY PRODUCTS

SPECIALTY PRODUCTS

SPECIAL TOOLS	PART NO.
BATTERY MAINTENANCE KIT	25587-G01
SEAL INSTALLATION TOOL (REAR AXLE SHAFT SEAL)	18739-G1
BATTERY SET DISCHARGER, 36 VOLT, 75 AMP	28251-G01
CURRENT INDICATOR	16489-G2
DIGITAL MULTI-METER	27481-G01
CRIMPING TOOL	27765-G01
TUBELESS TIRE REPAIR KIT	606009
TIRE PLUGGER REFILL PACK (50/BOX)	606831

TOUCH UP PAINT	PART NO.
PEN 3 OUNCE (89 ML) - HUNTER GREEN	28432-G02
PEN 3 OUNCE (89 ML) - CHAMPAGNE BEIGE	28432-G01
PEN 3 OUNCE (89 ML) - WHITE	28432-G05
PEN 3 OUNCE (89 ML) - INDUSTRIAL YELLOW	28432-G03
PEN 3 OUNCE (89 ML) - ORANGE	28432-G04
PEN 3 OUNCE (89 ML) - STEEL BLUE PEARL	28432-G**
PEN 3 OUNCE (89 ML) - CAMOUFLAGE PAINT (THREE PENS)	75831-G01

MAINTENANCE PRODUCTS	PART NO.
PLEXUS® CLEANER, 13 OUNCE (380 ML) (FOR WINDSHIELDS)	28433-G02
BATTERY PROTECTOR, 14 OUNCE (410 ML) SPRAY	27619-G02
E-Z-GO ALL SURFACE CLEANER	606311
E-Z-GO FIBREGLASS/PLASTIC RESTORER	606313
WINDSHIELD AND PLASTIC PROTECTOR	606314
64 OZ HANDCLEANER	607636
4 OZ HAND CLEANER	607637

OPTIONS/ACCESSORIES

OPTIONS/ACCESSORIES

OPTIONS/ACCESSORIES

ITEM	KIT NO.	COMMENTS
2 BAG ATTACHMENT	75183-G01	Body -Footrest
4 BAG ATTACHMENT	75335-G01	Body - Accessories Continued
8" CHROME HUBCAP	14913-G*	Wheels And Tires
6" CHROME HUBCAP	16042-G*	Wheels And Tires
GOLD SPOKE HUBCAP	19241-G*	Wheels And Tires
SILVER SPOKE HUBCAP	19241-G*	Wheels And Tires
ASHTRAY KIT	75109-G02	Body - Accessories Continued
CENTER BASKET	75003-G01	Body - Accessories
COOLER JUG AND BRACKET KIT	75495-G01	Body - Accessories Continued
COOLER BOX AND BRACKET KIT	75344-G01	Body - Accessories Continued
DIVOT REPAIR KIT	23300-G1	Body - Accessories
MESSAGE HOLDER KIT (REQUIRES SUN TOP)	75509-G01	Body - Accessories Continued
MESSAGE HOLDER KIT (REQUIRES SUN TOP)	75496-G01	Body - Accessories Continued
REAR VIEW MIRROR (REQUIRES SUN TOP)	19528-G2	Weather Protection - Golf Car
SAND BOTTLE	28661-G**	Body - Accessories
SAND RAKE	14735-G1	Body - Accessories Continued
SAND RAKE HOLDER	75006-G01	Body - Accessories Continued
SIDE BASKET	75007-G**	Body - Accessories
SUN TOP KIT, GOLF CAR	75040-G**	Weather Protection - Golf Car
TOW BAR KIT (CASUAL)	75033-G01	Tow Bar - Casual
TOW BAR KIT (PERMANENT)	75304-G01	Tow Bar - Permanent
WINDSHIELD KIT, GOLF CAR	75524-G01	Weather Protection, Golf Car
WINDSHIELD KIT, FOLD DOWN, GOLF CAR	74910-G01	Weather Protection, Golf Car
TIRE DOMINATOR 20X11-10	605316	Wheels and Tires
PATHFINDER TIRE, BRUSHED WHEEL LH	605355	Wheels and Tires
PATHFINDER TIRE, BRUSHED WHEEL RH	605356	Wheels and Tires
PRO TOUR - POLISHED WHEEL	605317	Wheels and Tires
PRO TOUR, TIRE 205/50-10	605315	Wheels and Tires
V-STEM-BRUSHED SPOKED WHEEL	605351	Wheels and Tires
PRO BRUSHED WHEEL	605318	Wheels and Tires
DOMINATOR - POLISHED WHEEL	605319	Wheels and Tires

OPTIONS/ACCESSORIES

DOMINATOR - BRUSHED WHEEL	605320	Wheels and Tires
CHROME CENTER CAP - SPOKED WHEEL	604929	Wheels and Tires
NUT, LUG-CHROME	605310	Wheels and Tires
V-STEM-POLISHED SPOKED WHEEL	605311	Wheels and Tires
PATHFINDER TIRE 22X11-10	604928	Wheels and Tires
PATHFINDER TIRE, POLISHED WHEEL LH	604930	Wheels and Tires
PATHFINDER TIRE, POLISHED WHEEL RH	605228	Wheels and Tires
JACK-UP KIT	74786-G02	Wheels and Tires
BFS - INSTALLATION	607108	Electrical System
NOZZLE GUN - BFS-08	608813	Electrical System



A Textron Company

E-Z-GO Division Of Textron, Inc.,
1451 Marvin Griffin Road, Augusta, Georgia USA 30906-3852

TO CONTACT US

North America:

Technical Assistance & Warranty Phone: 1-800-774-3946, FAX: 1-800-448-8124

Service Parts Phone: 1-888-GET-EZGO (1-888-438-3946), FAX: 1-800-752-6175

International:

Phone: 010-1-706-798-4311, FAX: 010-1-706-771-4609

Certified ISO 9001 / ISO 14001 by



Copyrighted Material
This manual may not be reproduced in whole or
in part without the express permission of
E-Z-GO Division of Textron, Inc.
Technical Communications Department