

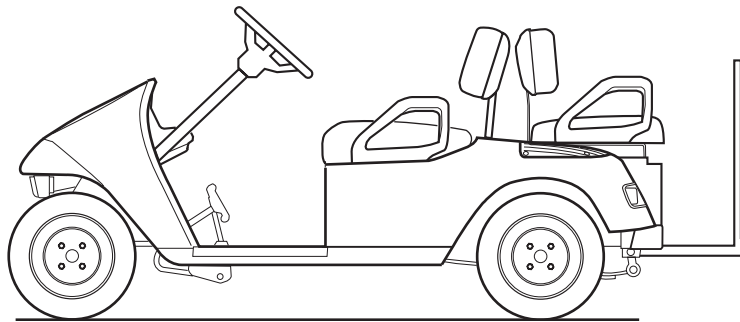
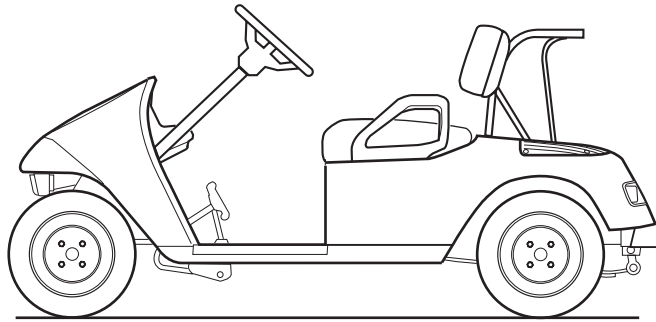


A Textron Company



PARTS MANUAL

EC Conformity Certificates



LP Gas Components for E-Z-GO Golf Cars

RJ-GOLF-001

1



2



3



4



5

6



7



8



10



9



ITEM	PART NO	DESCRIPTION	QTY	REMARKS
1	250410-4H	LPG Tank, 4-hole (incl. valves)	1	16 litre (gross) mounting stud & g with P.T.F.E.
2	RDUC-300	Reducer (incl. in-line gas adjuster	1	
3	RDUC-BRACK	Reducer Bracket	1	
4	FILL-01	Stainless Steel Braided	1	
5	FEED-01	Stainless Steel P.T.F.E.	1	
6	VAPHOSE-1624	LPG Vapour Hose	0.3	
7	TANK-MOUNT	Tank Mounting Brackets	2	
8	FILLPOT-01	Filler Pot	1	
9	BAYFIL-ST	Bayonet Filler – straight	1	
10	STICK-01	LPG Sticker for filler cap	1	

* Not Illustrated



11



12

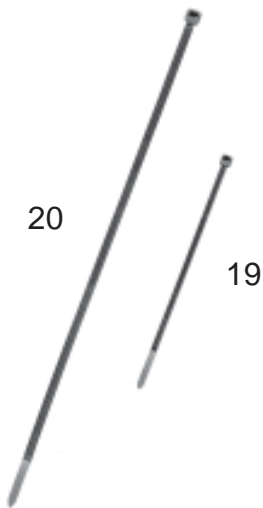


13



18

14/15/16/17



20

19

21



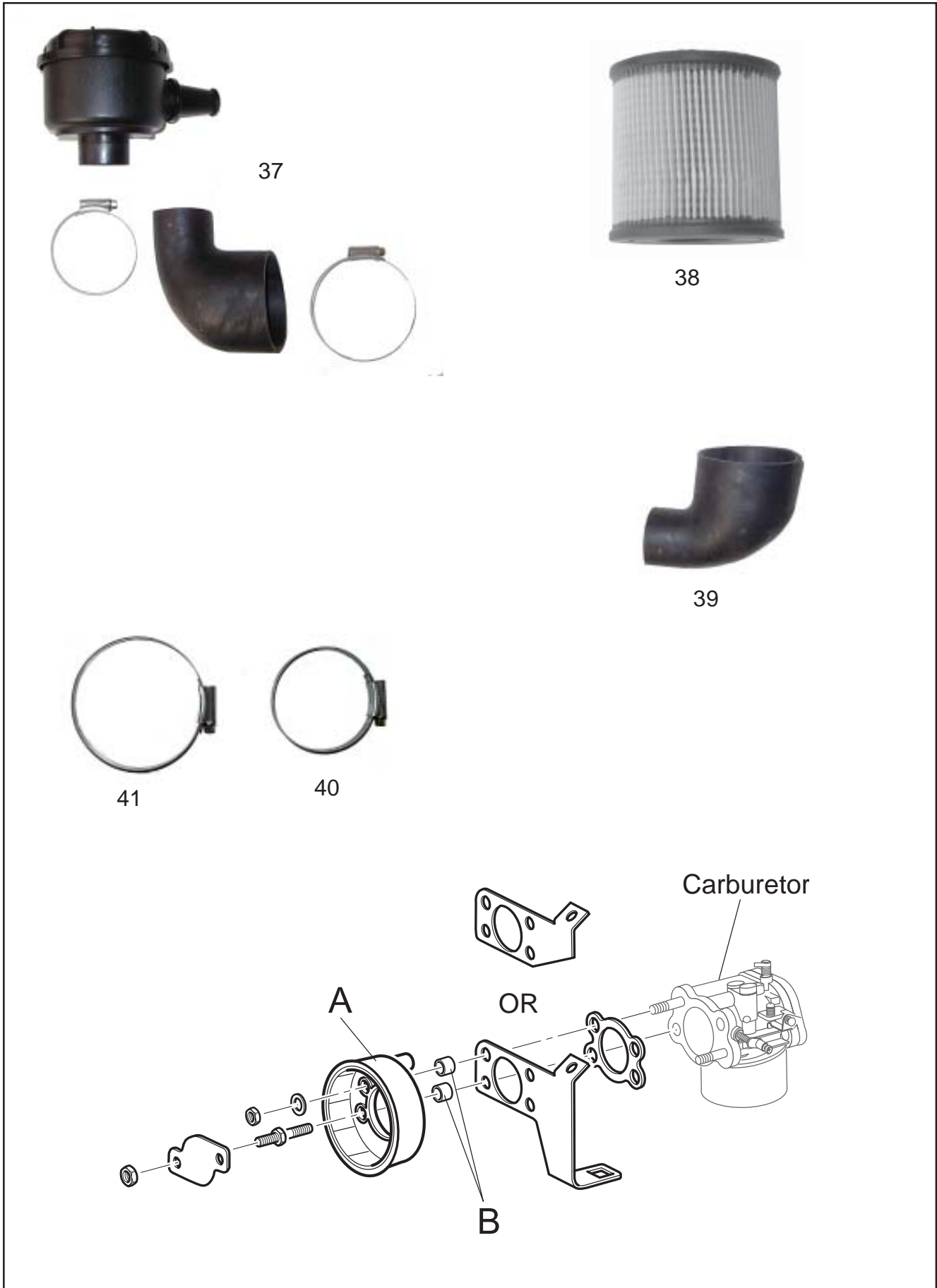
ITEM	PARTNO	DESCRIPTION	QTY	REMARKS
11	LEV-IND-D	Level Sender – 0-95 Ohm	1	dash mount indicator
12	EC-FEMALE	Electrical Connector – Female Spade	4	
13	EC-RING	Electrical Connector – Ring	4	
14	SCW-BLACK	Single Core Wire - Black	2.5m	
15	SCW-RED	Single Core Wire – Red	2.5m	
16	SCW-BLU	Single Core Wire - Blue	2.5m	
17	SCW-BRO	Single Core Wire - Brown	2.5m	
18	HS-SLEEV	Heat Shrink Sleeving	0.4m	
19	CT-SMALL	Cable Tie – Small	5	
20	CT-LRGE	Cable Tie – Large	10	
21	JUB-25	Jubilee Clip – 18 x 25 mm	2	

* Not Illustrated



ITEM	PART NO	DESCRIPTION	QTY	REMARKS
22	PRVEXCT-01	PRV Extension	1	
23	M6-STUD	M6 Threaded Stud Bar	2	
24	M6-NUT	M6 Nyloc Nuts	4	
25	M6-WAS	M6 Washers	6	
26	M6-BOL-short	M6 Bolts – short	2	
27	M6-BOL-long	M6 Bolts – long	2	
28	M8-NUT	M8 Nyloc Nuts (tank bracket)	6	
29	M8-WAS	M8 Washers	8	
30	M8-BOL - short	M8 Bolts – short	6	(tank bracket)
31	M8 Bolts - long	M8-BOL - long	2	
32	ROBINMIX-01	Mixer	1	
33	ROBINMIX-ELB	Mixer Elbow	1	
34	SPACER	Spacer	2	
35		Battery Clamps	1	
36	LEV-IND-A	Analogue Level Sender	1	

* Not Illustrated



ITEM	PART NO	DESCRIPTION	QTY	REMARKS
37	E-Z-GO A/C KIT	Air Filter Kit Complete	1	
	FAR-15638	• Air Cleaner	1	
38	4151697	• • Element		
39	BSMH1227.0	• Moulded Elbow	1	
40	51/70MM	• Clip	1	
41	70/90MM	• Clip	1	
A	72591G01	Carburetor Adaptor	1	
B	23726G6	Carburetor Mount Spacer	4	

* Not Illustrated

Declaração de Conformidade da CE

Nós, abaixo assinados,
Ransomes Jacobsen Limited
Central Avenue, Ransomes Europark,
Ipswich, IP3 9QG, Inglaterra

declaramos que a máquina a seguir descrita:

Marca & Tipo: **E-Z-GO Golf Cars & Workhorse**
Categoria: **Off Road Utility Vehicles**
Série: **All Golf Car & Workhorse LPG Conversions After January 1997**
Motor: **Fuji Robin**
Tipo: **295cc Twin, LPGas conversion**
Potência real instalada: **6,7 KW**

se encontra em conformidade com as especificações das seguintes directivas europeias e seus aditamentos e com as regulamentações que a transpõem para lei nacional:

Directiva de segurança
de máquinas: **98/37/EC**

Directiva EMC: **89/336/EC**

92/31/EC

Está em conformidade com a norma harmonizada ou com as provisões técnicas seguintes:

Segurança de máquinas **EN836**
Autogas Installations **COP 11**
UN Regulation **E11 67R-010015 LPG**
E467R-0193010
E67 Class 2 LPG
E867R011329

Local e data da declaração:

Managing Director
Ransomes Jacobsen Limited
Central Avenue, Ransomes Europark,
Ipswich, England, IP3 9QG
1st August 2003



S. Chicken
Managing Director

Certificate Number: **4231866-GB (rev.0)**

Declaración de Conformidad de la CE

Los abajo firmantes

Ransomes Jacobsen Limited
Central Avenue, Ransomes Europark,
Ipswich IP3 9QG, Inglaterra

Certificamos que la máquina descrita abajo:

Marca y Tipo: **E-Z-GO Golf Cars & Workhorse**
Categoría: **Off Road Utility Vehicles**
Serie: **All Golf Car & Workhorse LPG Conversions After January 1997**
Motor: **Fuji Robin**
Tipo: **295cc Twin, LPGas conversion**
Potencia instalada neta: **6,7 KW**

Cumple con las provisiones de las siguientes directivas y correcciones europeas y con las regulaciones nacionales:

Directiva de seguridad
de maquinaria: **98/37/EC**

Directiva EMC: **89/336/EC**

92/31/EC

Cumple con los siguientes estándares de armonización o provisiones técnicas:

Seguridad de maquinaria: **EN836**
Autogas Installations **COP 11**
UN Regulation **E11 67R-010015 LPG**
E4 67R-0193010
E67 Class 2 LPG
E8 67R011329

Lugar y fecha de la declaración:

Managing Director
Ransomes Jacobsen Limited
Central Avenue, Ransomes Europark,
Ipswich, England, IP3 9QG
1st August 2003



S. Chicken
Managing Director

Certificate Number: **4231866-GB (rev.0)**

Ilmoitus yhdenmukaisuudesta ey:n sääntöjen kanssa

Me allekirjoittaneet

Ransomes Jacobsen Limited
Central Avenue, Ransomes Europark,
Ipswich, IP3 9QG, Englanti

vahvistamme, että alla kuvattu kone:

Malli ja tyyppi: **E-Z-GO Golf Cars & Workhorse**
Luokka: **Off Road Utility Vehicles**
Sarja: **All Golf Car & Workhorse LPG Conversions After January 1997**
Moottori: **Fuji Robin**
Tyyppi: **295cc Twin, LPGas conversion**
Asennettu nettoteho: **16,7 KW**

täyttää seuraavana mainittujen Euroopan direktiivien ja muutosten ja säännösten asettamat edellytykset saaden sen kansallisen lain mukaiseksi:

Koneen turvallisuutta koskeva
direktiivi: **98/37/EC**

EMC-direktiivi: **89/336/EC**

92/31/EC

täyttää seuraavat harmonisoidut standardit tai tekniset edellytykset:

Koneen turvallisuus **EN836**
Autogas Installations **COP 11**
UN Regulation **E11 67R-010015 LPG**
E467R-0193010
E67 Class 2 LPG
E867R011329

Lausunnon paikka ja päivämäärä:

Managing Director
Ransomes Jacobsen Limited
Central Avenue, Ransomes Europark,
Ipswich, England, IP3 9QG
1st August 2003



S. Chicken
Managing Director

Certificate Number: **4231866-GB (rev.0)**

EU Uppfyllandecertifikat

Undertecknarna

Ransomes Jacobsen Limited
Central Avenue, Ransomes Europark,
Ipswich, IP3 9QG, England

Deklarerar att den maskin som beskrivs nedan:

Fabrikat & typ: **E-Z-GO Golf Cars & Workhorse**
Kategori: **Off Road Utility Vehicles**
Serie: **All Golf Car & Workhorse LPG Conversions After January 1997**
Motor: **Fuji Robin**
Typ: **295cc Twin, LPGas conversion**
Installerad nettoeffekt: **6,7 KW**

Uppfyller kraven i följande europeiska direktiv med tillägg och regler transponerade till nationell lagstiftning:

Maskinsäkerhetsdirektiv: **98/37/EC**

Elektromagnetiskt
kompatibilitetsdirektiv: **89/336/EC**

92/31/EC

Uppfyller följande harmoniserade standard eller tekniska definitioner:

Maskinsäkerhet **EN836**
Autogas Installations **COP 11**
UN Regulation **E11 67R-010015 LPG**
E467R-0193010
E67 Class 2 LPG
E867R011329

Plats & datum för deklARATION:

Managing Director
Ransomes Jacobsen Limited
Central Avenue, Ransomes Europark,
Ipswich, England, IP3 9QG
1st August 2003



S. Chicken
Managing Director

Certificate Number: **4231866-GB (rev.0)**

EF Konformitetserklæring

Undertegnede

Ransomes Jacobsen Limited
Central Avenue, Ransomes Europark,
Ipswich, IP3 9QG, England

Erklærer, at følgende maskine:

Fabrikat og type: **E-Z-GO Golf Cars & Workhorse**
Kategori: **Off Road Utility Vehicles**
Serie: **All Golf Car & Workhorse LPG Conversions After January 1997**
Motor: **Fuji Robin**
Type: **295cc Twin, LPGas conversion**
Nettoeffekt installeret: **6,7 KW**

Overholder bestemmelserne i følgende EF-direktiver med ændringer og i de forordninger, hvorved de omsættes til national lov:

Maskinsikkerhedsdirektivet: **98/37/EC**

EMC-direktivet: **89/336/EC**

92/31/EC

Overholder følgende harmoniserede standardbestemmelser eller tekniske bestemmelser:

Maskinsikkerhed **EN836**
Autogas Installations **COP 11**
UN Regulation **E11 67R-010015 LPG**
E467R-0193010
E67 Class 2 LPG
E867R011329

Sted og dato for erklæringen:

Managing Director
Ransomes Jacobsen Limited
Central Avenue, Ransomes Europark,
Ipswich, England, IP3 9QG
1st August 2003



S. Chicken
Managing Director

Certificate Number: **4231866-GB (rev.0)**

Certificato di Conformità CE

Noi sottoscritti

Ransomes Jacobsen Limited
Central Avenue, Ransomes Europark,
Ipswich, IP3 9QG, Inghilterra

Dichiariamo che la macchina descritta di seguito:

Marca e tipo: **RE-Z-GO Golf Cars & Workhorse**
Categoria: **Off Road Utility Vehicles**
Serie: **All Golf Car & Workhorse LPG Conversions After January 1997**
Motore: **Fuji Robin**
Tipo: **295cc Twin, LPGas conversion**
Potenza installata netta: **16,7 KW**

soddisfa quanto previsto dalle seguenti direttive ed emendamenti europei e dalle normative che li riportano in legge nazionale:

Direttiva sulla sicurezza
del macchinario: **98/37/EC**

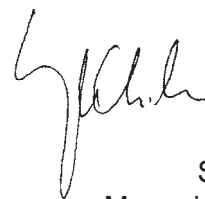
Direttiva EMC: **89/336/EC**
92/31/EC

Rispetta il seguente standard armonizzato o requisiti tecnici:

Sicurezza del macchinario **EN836**
Autogas Installations **COP 11**
UN Regulation **E11 67R-010015 LPG**
E467R-0193010
E67 Class 2 LPG
E867R011329

Luogo e data della dichiarazione:

Managing Director
Ransomes Jacobsen Limited
Central Avenue, Ransomes Europark,
Ipswich, England, IP3 9QG
1st August 2003



S. Chicken
Managing Director

Certificate Number: **4231866-GB (rev.0)**

EG-Konformitätsbescheinigung

Wir, die Unterzeichnenden,
Ransomes Jacobsen Limited
Central Avenue, Ransomes Europark,
Ipswich, IP3 9QG, England

erklären, dass die nachfolgend beschriebene Maschine:

Marke und Typ: **E-Z-GO Golf Cars & Workhorse**
Kategorie: **Off Road Utility Vehicles**
Serie: **All Golf Car & Workhorse LPG Conversions After January 1997**
Motor: **Fuji Robin**
Typ: **295cc Twin, LPGas conversion**
installierte Antriebsleistung: **6,7 KW**

den Bestimmungen der folgenden Europa-Richtlinien einschließlich aller Änderungen und Ergänzungen sowie den Vorschriften, die diese in das nationale Recht umsetzen, entspricht:

Richtlinie zur Maschinensicherheit: **98/37/EC**

EMK-Richtlinie: **89/336/EC**

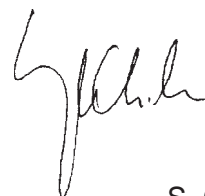
92/31/EC

Diese Maschine entspricht den folgenden harmonisierten Normen oder technischen Bestimmungen:

Maschinensicherheit **EN836**
Autogas Installations **COP 11**
UN Regulation **E11 67R-010015 LPG**
E467R-0193010
E67 Class 2 LPG
E867R011329

Ort und Datum dieser Erklärung:

Managing Director
Ransomes Jacobsen Limited
Central Avenue, Ransomes Europark,
Ipswich, England, IP3 9QG
1st August 2003



S. Chicken
Managing Director

Certificate Number: **4231866-GB (rev.0)**

EG Conformiteits-Declaratie

Wij, ondergetekenden

Ransomes Jacobsen Limited
Central Avenue, Ransomes Europark,
Ipswich, IP3 9QG, Engeland

verklaren dat onderstaand beschreven machine:

Merk & Type: **E-Z-GO Golf Cars & Workhorse**
Categorie: **Off Road Utility Vehicles**
Serie: **All Golf Car & Workhorse LPG Conversions After January 1997**
Motor: **Fuji Robin**
Type: **295cc Twin, LPGas conversion**
Netto geïnstalleerd vermogen: **6,7 KW**

voldoet aan de bepalingen van de volgende Europese Richtlijnen en Amendementen, alsmede aan de verordeningen die deze omzetten in nationale wetgeving:

Richtlijn Machineveiligheid: **98/37/EC**

EMC Richtlijn: **89/336/EC**

92/31/EC

Voldoet aan de volgende geharmoniseerde norm of technische bepalingen:

Machineveiligheid **EN836**
Autogas Installations **COP 11**
UN Regulation **E11 67R-010015 LPG**
E467R-0193010
E67 Class 2 LPG
E867R011329

Plaats & datum verklaringsaflegging:

Managing Director
Ransomes Jacobsen Limited
Central Avenue, Ransomes Europark,
Ipswich, England, IP3 9QG
1st August 2003



S. Chicken
Managing Director

Certificate Number: **4231866-GB (rev.0)**

Déclaration de Conformité CE

Nous, soussignés :

Ransomes Jacobsen Limited
Central Avenue, Ransomes Europark,
Ipswich IP3 9QG, Angleterre

Certifions que la machine suivante :

Nom & Type : **E-Z-GO Golf Cars & Workhorse**
Modèle : **Off Road Utility Vehicles**
Série : **All Golf Car & Workhorse LPG Conversions After January 1997**
Moteur : **Fuji Robin**
Type : **295cc Twin, LPGas conversion**
Puissance nette : **6,7 KW**

Est conforme aux prescriptions des normes, modifications et règles européennes suivantes :

Directive de sécurité des machines : **98/37/EC**

Directive de compatibilité électromagnétique : **89/336/EC**

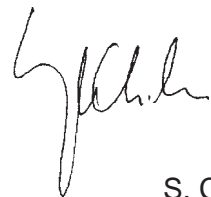
92/31/EC

est conforme aux normes harmonisées :

Sécurité des machines **EN836**
Autogas Installations **COP 11**
UN Regulation **E11 67R-010015 LPG**
E467R-0193010
E67 Class 2 LPG
E867R011329

Lieu & Date de déclaration :

Managing Director
Ransomes Jacobsen Limited
Central Avenue, Ransomes Europark,
Ipswich, England, IP3 9QG
1st August 2003



S. Chicken
Managing Director

Certificate Number: **4231866-GB (rev.0)**

EC Declaration of Conformity

We the undersigned

Ransomes Jacobsen Limited
Central Avenue, Ransomes Europark,
Ipswich, England, IP3 9QG

Declare that the machine Described Below:

Make & Type: **E-Z-GO Golf Cars & Workhorse**
Category: **Off Road Utility Vehicles**
Series: **All Golf Car & Workhorse LPG Conversions After January 1997**
Engine: **Fuji Robin**
Type: **295cc Twin, LPGas conversion**
Net Installed Power: **6.7 KW**

Complies with the provisions of the following European directives and amendments and the regulations transposing it into national law:

Machinery Safety Directive: **98/37/EC**

EMC Directive: **89/336/EC**

92/31/EC

Complies with the following harmonised standard or technical provisions:

Machinery Safety **EN836**
Autogas Installations **COP 11**
UN Regulation **E11 67R-010015 LPG**
E4 67R-0193010
E67 Class 2 LPG
E867R011329

Keeper of Technical File, Place & Date of Declaration:

Managing Director
Ransomes Jacobsen Limited
Central Avenue, Ransomes Europark,
Ipswich, England, IP3 9QG
1st August 2003



S. Chicken
Managing Director

Certificate Number: **4231866-GB (rev.0)**



A Textron Company

Ransomes Jacobsen Limited
Central Avenue, Ransomes Europark, Ipswich, England IP3 9QG
Tel: +44 (0) 1473 270000 Fax: +44 (0) 1473 276300
www.ransomesjacobsen.com

Copyrighted Material
This manual may not be reproduced in whole or
in part without the express permission of
Ransomes Jacobsen Limited
English Company Registration No. 1070731