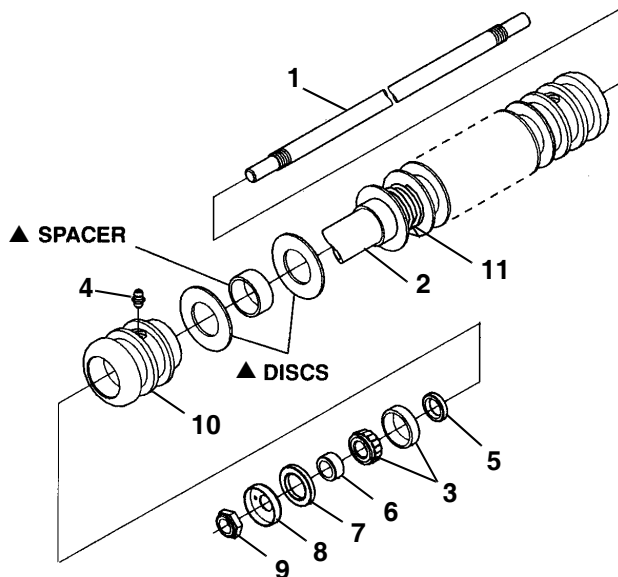


30" Grooved - 123265

(Used on Tri-King)

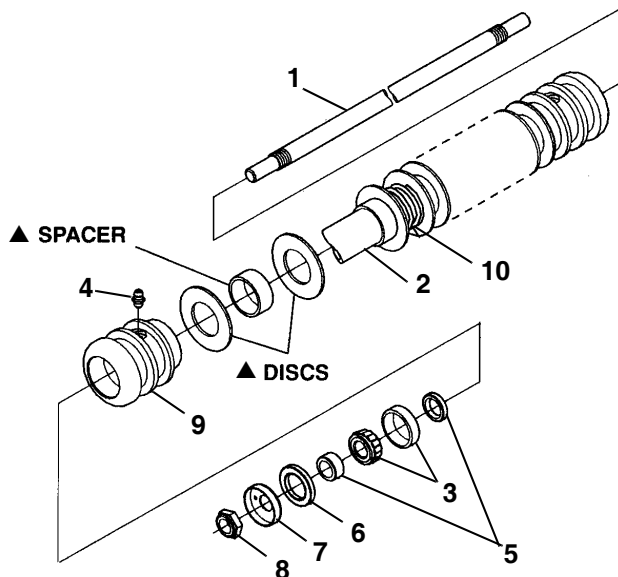


Item	Part No.	Description
1	3003414	Shaft
2	5002839	Tube
3●	500534	Bearing Cup and Cone
4	471214	Grease Fitting
5●	338647	Seal, Grease
6	3005156	Wear Sleeve
7●	3004882	Seal, Grease
8	2809671	Deflector Cup
9●	367029	Locknut, 3/4-16 UNF
10	241838	Bearing Housing
11	365016	Spring

- - For Rebuild Kit order 5000097. (Kit includes items 3, 5, 7, 9 and roller discs and spacers.)
- ▲ - For Disc and Spacer Kit order 5000471.

30" Grooved - 123267

(Used on ST-5111, 5 Gang and Hydraulic Rangers)

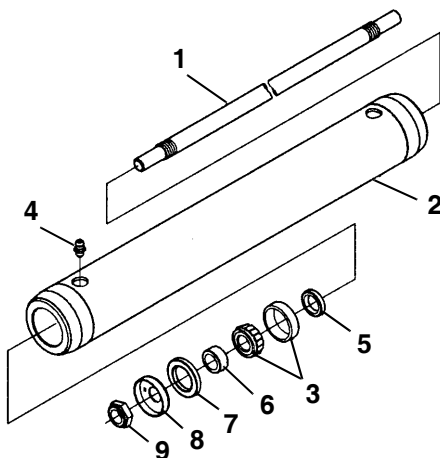


Item	Part No.	Description
1	3003413	Shaft
2	5002839	Tube
3●	500534	Bearing Cup and Cone
4	471214	Grease Fitting
5●	3005156	Seal, Grease
	3005156	Wear Sleeve
6●	3004882	Seal, Grease
7	2809671	Deflector Cup
8●	367029	Locknut, 3/4-16 UNF
9	241838	Bearing Housing
10	365016	Spring

- - For Rebuild Kit order 5000097. (Kit includes items 3, 5, 7, 9 and roller discs and spacers.)
- ▲ - For Disc and Spacer Kit order 5000471.

30" Solid - 132506

(Used on Fairway, Hydraulic Rangers and ST-5111)

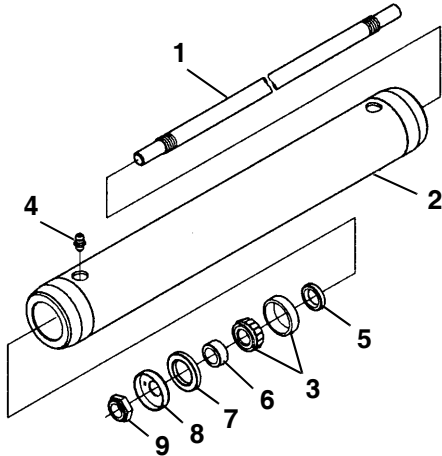


Item	Part No.	Description
1	3003413	Shaft
2	5002835	Tube Assembly
3	500534	Bearing Cup and Cone
4	471214	Grease Fitting
5	338647	Seal, Grease
6	3005156	Wear Sleeve
7	3004882	Seal, Grease
8	2809671	Deflector Cup
9	367029	Locknut, 3/4-16 UNF

30" Rollers

30" Solid - 132640

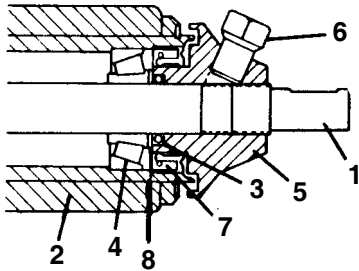
(Used on Tri-King)



Item	Part No.	Description
1	3003414	Shaft
2	5002832	Tube Assembly
3	500534	Bearing Cup and Cone
4	471214	Grease Fitting
5	338647	Seal, Grease
6	3005156	Wear Sleeve
7	3004882	Seal, Grease
8	2809671	Deflector Cup
9	367029	Locknut, 3/4-16 UNF

30" Rubber - 158721

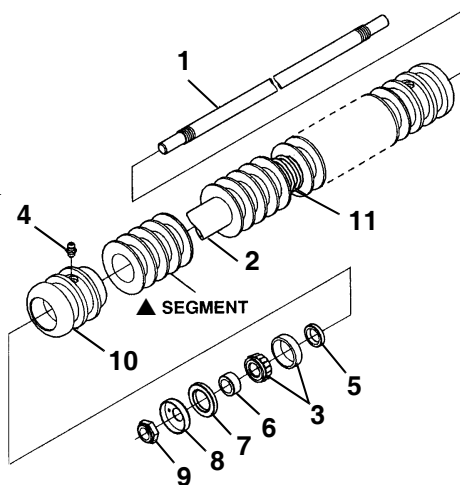
(Used on Hydraulic Rangers)



Item	Part No.	Description
1	328058	Shaft
2	129562	Roller Shaft
3	362283	O-Ring
4	500534	Bearing
5	500574	Collar
6	412063	Set Screw
7	335164	Seal
8	310635	Washer

30" Grooved Nylon - 1000384

(Used on Tri-King)



Item	Part No.	Description
1	3003414	Shaft (Used on 1000384)
	3003413	Shaft (Used on 1000386)
2	5002839	Tube
3	500534	Bearing, Cup and Cone
4	471214	Grease Fitting
5	338647	Seal, Grease
6	366168	Wear Sleeve
7	3004882	Seal, Grease
8	338645	Deflector Cup
9	367029	Locknut, 3/4-16 UNF
10	241838	Bearing Housing
11	365016	Spring

▲ - For Segment Replacement Kit order 5000589.