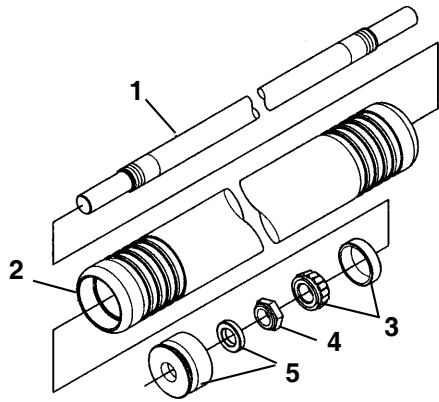


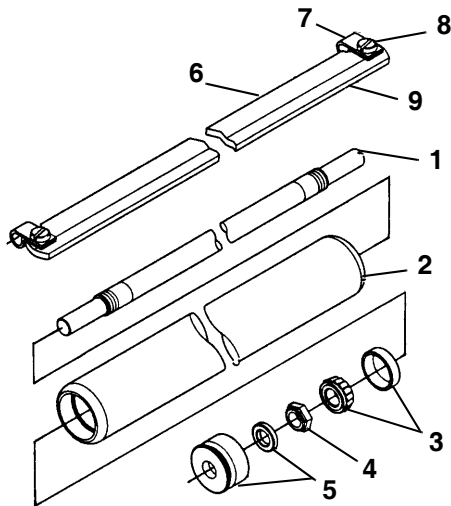
26" Rollers



26" Machined Grooved Aluminum - 68617

(Used on Greens King 426 and 526)

Item	Part No.	Description
1	3009726	Shaft, Roller
2	3000546	Roller, Grooved
3	503378	Bearing, Cup and Cone
4	367029	Locknut, 3/4-16 UNF
5	3010210	Seal, Grease



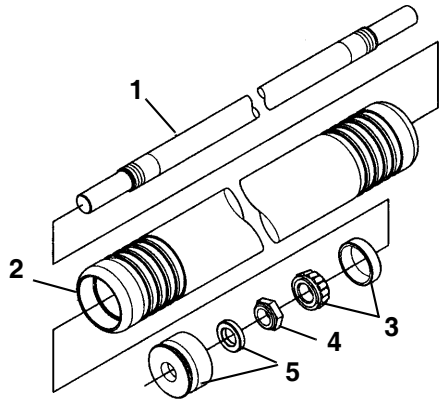
26" Solid - 68627

(Used on Greens King 426 and 526)

Item	Part No.	Description
1	3009726	Shaft, Roller
2	5002819	Roller, Solid
3	503378	Bearing, Cup and Cone
4	367029	Locknut, 3/4-16 UNF
5	3010210	Seal, Grease
6	1000600	Scraper Assembly (Includes Items 8, 9 and 10)
7	352214	Clip
8	407586	1/4-20 Pan Hd Screw
9	3001419	Scraper Blade

26" Machined Grooved Steel - 68628

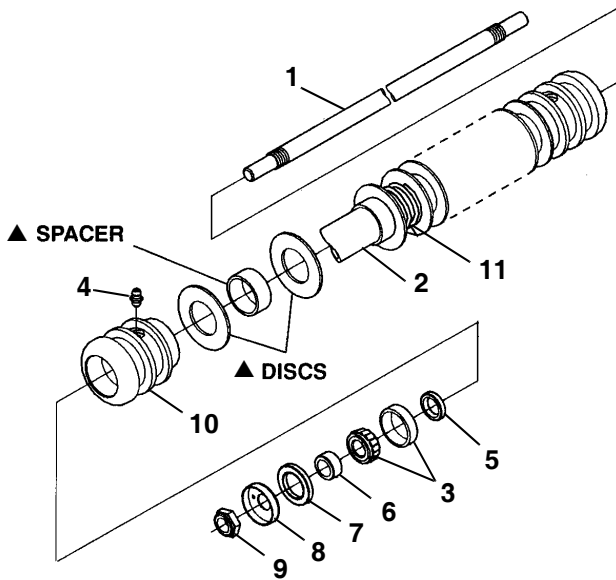
(Used on Greens King 426 and 526)



Item	Part No.	Description
1	3009726	Shaft, Roller
2	5002817	Roller, Grooved
3	503378	Bearing, Cup and Cone
4	367029	Locknut, 3/4-16 UNF
5	3010210	Seal, Grease

26" Grooved - 123266

(Used on Tri-King and LF-3810)



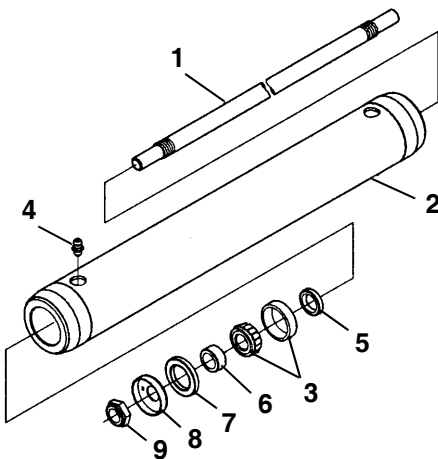
Item	Part No.	Description
1	3003415	Shaft
2	5002838	Tube
3●	500534	Bearing Cup and Cone
4	471214	Grease Fitting
5●	338647	Seal, Grease
6	3005156	Wear Sleeve
7●	3004882	Seal, Grease
8	2809671	Deflector Cup
9●	367029	Locknut, 3/4-16 UNF
10	241838	Bearing Housing
11	365039	Spring

● - For Rebuild Kit order 5000097. (Kit includes items 3, 5, 7, 9 and roller discs and spacers.)

▲ - For Disc and Spacer Kit order 5000471.

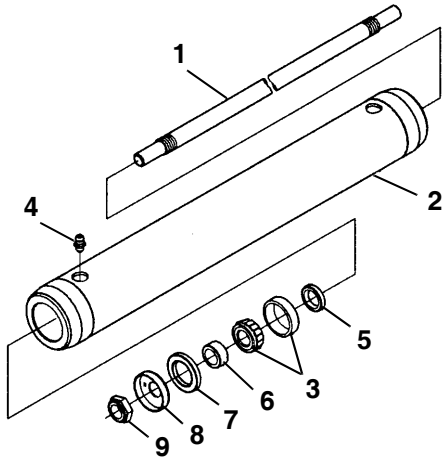
26" Solid - 132639

(Used on Tri-King and LF-3810 (10 blade))



Item	Part No.	Description
1	3003415	Shaft
2	5002831	Tube Assembly
3	500534	Bearing Cup and Cone
4	471214	Grease Fitting
5	338647	Seal, Grease
6	3005156	Wear Sleeve
7	3004882	Seal, Grease
8	2809671	Deflector Cup
9	367029	Locknut, 3/4-16 UNF

26" Rollers



26" Solid - 132874

(Used on LF-3810 (5 blade))

Item	Part No.	Description
1	3003415	Roller Shaft
2	5002834	Tube Assembly
3	500534	Cup and Cone Bearing Assembly
4	471214	Grease Fitting
5	338647	Seal, Grease
6	3005156	Wear Sleeve
7	3004882	Seal, Grease
8	2809671	Deflector Cup
9	367029	Locknut, 3/4-16 UNF