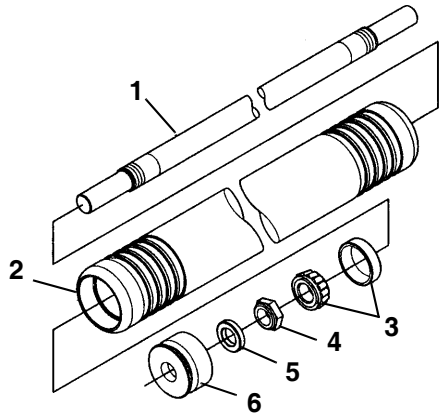


18" Rollers

18" Machined Grooved Steel - 68616

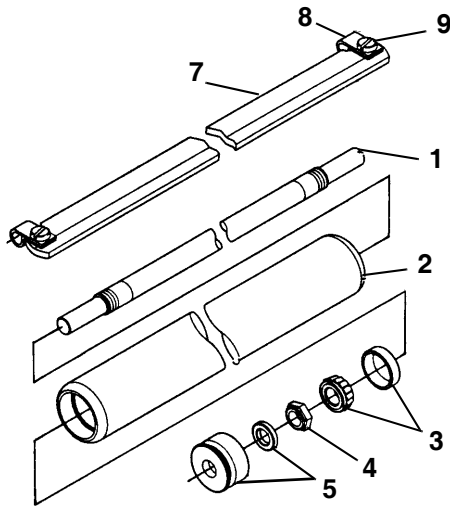
(Used on Greens King 418 & 518)



Item	Part No.	Description
1	3009724	Shaft, Roller
2	5002816	Roller, Grooved
3	503378	Bearing Cup and Cone
4	367029	Locknut, 3/4-16 UNF
5	3010210	Seal, Grease

18" Solid Tube - 68626

(Used on Greens King 418 & 518)



Item	Part No.	Description
1	3009724	Shaft, Roller
2	5002818	Roller, Solid
3	503378	Bearing Cup and Cone
4	367029	Locknut, 3/4-16 UNF
5	3010210	Seal, Grease
6	1000599	Scraper Assembly (Includes Items 8 & 9)
7	352214	Clip
8	407586	1/4-20 Pan Hd Screw